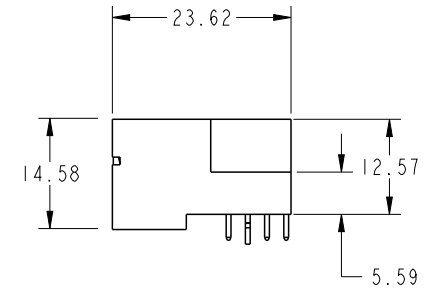
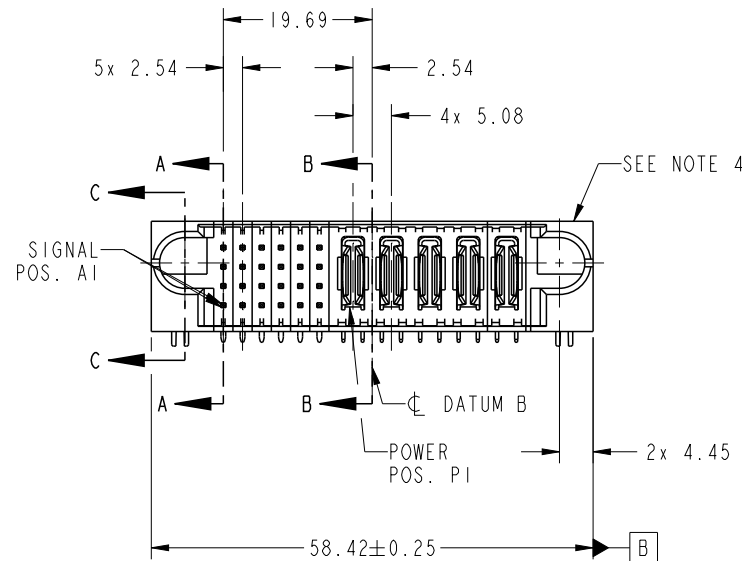


PRODUCT NO.	ROWS	SIGNAL						POWER					E2
		E1	1	2	3	4	5	6	P1	P2	P3	P4	
51939-965-- NOTE 3	D C B A		UUUUUUU	TTTTTTTTT	SSSSSSS	EEEEERRR		PA	PA	PA	PA	PA	

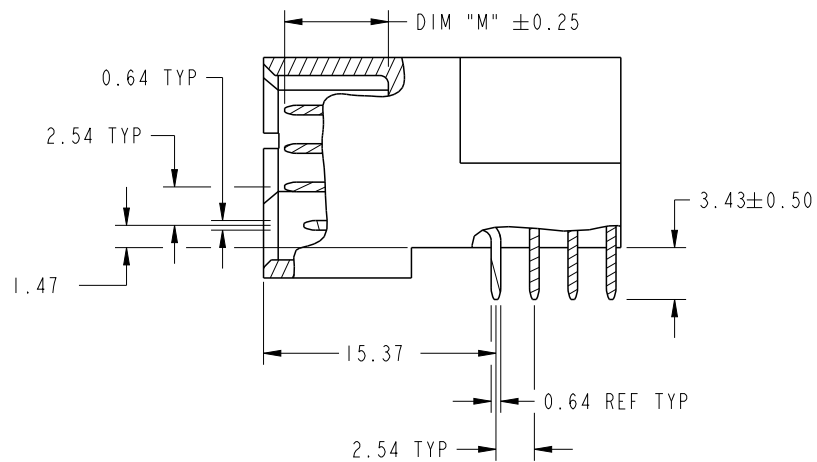


CODE	DIM "M" MATING LENGTH	CONTACT TYPE
U	[6.86]	SIGNAL
T	[6.86]	SIGNAL
S	[6.86]	SIGNAL
E	[5.59]	SIGNAL
R	[6.86]	SIGNAL
PA	[N/A]	POWER
HA	[N/A]	HOLD-DOWN

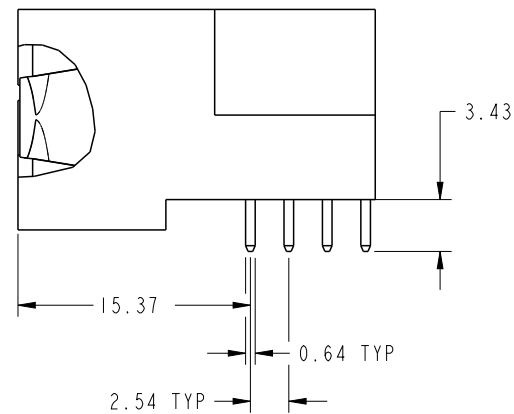
spec ref	*	dr	De-Ming Lu	2015/04/01	projection 	MM ←→	size	A4	scale	1:1
tolerance std	ASME Y14.5	eng	De-Ming Lu	2015/04/07			ecn no	-		
TOLERANCES UNLESS OTHERWISE SPECIFIED		chr	Fancy Zhang	2015/04/07			rel level	Released		
surface	✓	appr	Pei-Ming Zheng	2015/04/07	product family	PwrBlade	rev	A		
ASME Y14.5	linear	0.X	±0.5		title	24S + 5DCP	dwg no	51939-965	sheet 1 of 4	
		0.XX	±0.25							
		0.XXX	±0.1							
	angular	0°	±2°	www.fci.com	cat. no.	-	Product - Customer Drw			

PRODUCT NUMBER

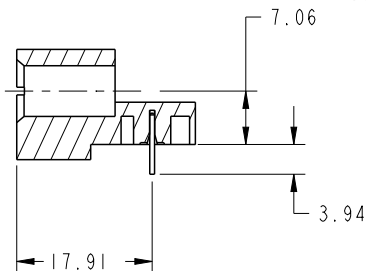
51939-965--
NOTE: 3



BROKEN-OUT SECTION A-A
SCALE 2:1



BROKEN-OUT SECTION B-B
SCALE 2:1

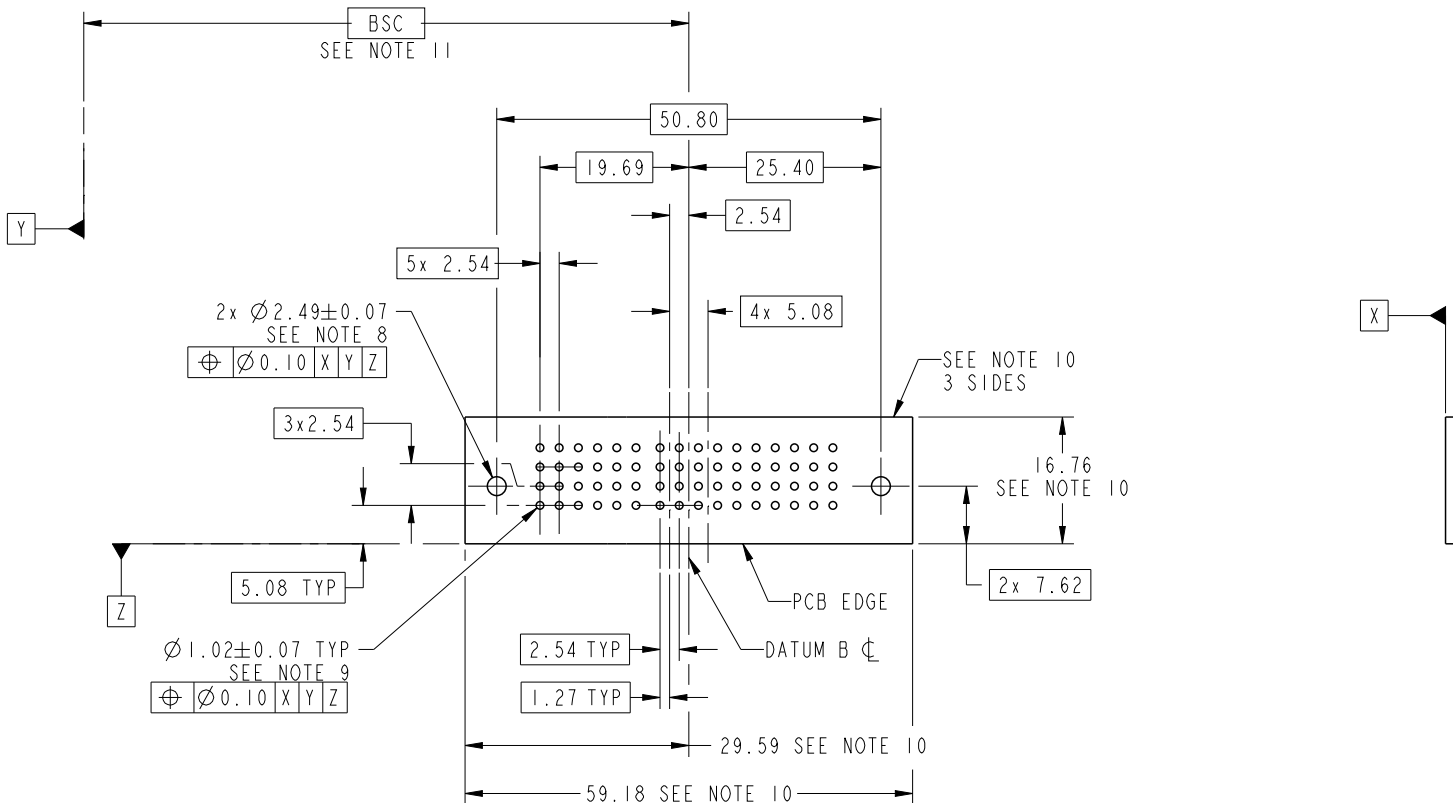


SECTION C-C

dr	De-Ming Lu	2015/04/01	projection 	MM 	size	A4	scale	1:1
eng	De-Ming Lu	2015/04/07			ecn no	-		
chr	Fancy Zhang	2015/04/07			rel level	Released		
appr	Pei-Ming Zheng	2015/04/07	product family	PwrBlade	rev	A		
		title	24S + 5DCP RIGHT ANGLE SOLDER HEADER		dwg no	51939-965		
www.fci.com	cat. no.	-	Product - Customer Drw			sheet 2 of 4		

PRODUCT NUMBER

51939-965__
NOTE: 3



RECOMMENDED PCB LAYOUT

dr	De-Ming Lu	2015/04/01	projection 	MM 	size	A4	scale	1:1			
eng	De-Ming Lu	2015/04/07			ecn no	-					
chr	Fancy Zhang	2015/04/07			rel level	Released					
appr	Pei-Ming Zheng	2015/04/07	product family	PwrBlade							
		title			24S + 5DCP		dwg no		51939-965	rev	A
www.fci.com		cat. no.			-		Product - Customer Drw		sheet 3 of 4		

PRODUCT NUMBER

51939-965__
NOTE: 3

NOTES:

1. DIMENSIONS AND TOLERANCES ARE IN ACCORDANCE WITH ASME Y14.5M, 1994 UNLESS OTHERWISE SPECIFIED.

CONNECTOR NOTES:

- 2. HOUSING MATERIAL: UL 94 V-0 GLASS FILLED HIGH-TEMP THERMOPLASTIC
POWER CONTACT MATERIAL: COPPER ALLOY
SIGNAL PIN MATERIAL: COPPER ALLOY
- 3. SEE ITEM 1 & 2 IN PRINT 10064183 FOR PLATING SPEC OF 51939-965 AND 51939-965LF RESPECTIVELY.
- 4. MANUFACTURER'S NAME, DATE CODE AND OPTIONAL P/N TO APPEAR ON THIS SURFACE. THE MARK CAN BE OMITTED IF THERE IS NOT ENOUGH SPACE ON THIS SURFACE.
- 5. PRODUCT SPECIFICATION GS-12-149.
APPLICATION SPECIFICATION BUS-20-067.
- 6. PACKAGED IN TRAYS.

PCB NOTES:

- 7. ALL HOLE DIAMETERS ARE FINISHED HOLE SIZE.
- 8. MOUNTING HOLES, WHERE APPLICABLE, ARE UNPLATED.
- 9. $\varnothing 1.151 \pm 0.025$ DRILLED HOLES PLATED WITH
0.008 MIN SnPb OR Sn OVER 0.03
TO 0.08 Cu PLATING TO ACHIEVE
 $\varnothing 1.02 \pm 0.07$ HOLE.
- 10. CONNECTOR KEEP-OUT ZONE.
- 11. DATUM AND BASIC DIMENSIONS ARE ESTABLISHED BY CUSTOMER.

dr	De-Ming Lu	2015/04/01	projection 	MM 	size	A4	scale	1:1
eng	De-Ming Lu	2015/04/07			ecn no	-		
chr	Fancy Zhang	2015/04/07			product family	PwrBlade	rel level	Released
appr	Pei-Ming Zheng	2015/04/07			title 24S + 5DCP RIGHT ANGLE SOLDER HEADER	dwg no 51939-965	rev A	
www.fci.com		cat. no.	-	Product - Customer Drw		sheet 4 of 4		



Copyright FCI.