

CODE	DIM "M" MATING LENGTH	CONTACT TYPE
V	[6.86]	SIGNAL
Q	[6.86]	SIGNAL
P	[6.86]	SIGNAL
N	[6.86]	SIGNAL
B	[5.59]	SIGNAL
C	[5.59]	SIGNAL
D	[5.59]	SIGNAL
A	[5.59]	SIGNAL
PC	[N/A]	POWER



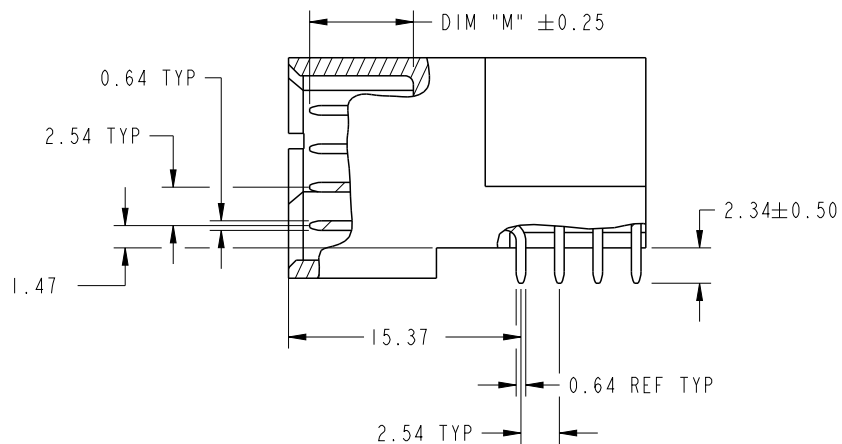
Copyright FCI.

spec ref *		dr Ruan MT 2015/01/28		projection	MM	size A4		scale 1:1	
tolerance std ASME Y14.5		eng Luo Weller 2015/02/15				ecn no -		rel level Released	
TOLERANCES UNLESS OTHERWISE SPECIFIED		chr -				product family PwrBlade		rev A	
surface ✓	ASME Y14.5	linear	0.X	±0.5	www.fci.com	title 8P + 44S + 3ACP RIGHT ANGLE STB HEADER	dwg no 51939-957	sheet 1 of 4	
			0.XX	±0.25				Product - Customer Drw	
			0.XXX	±0.1				STATUS:Released	
angular	0°	±2°	cat. no. -		Printed: Feb 15, 2015				

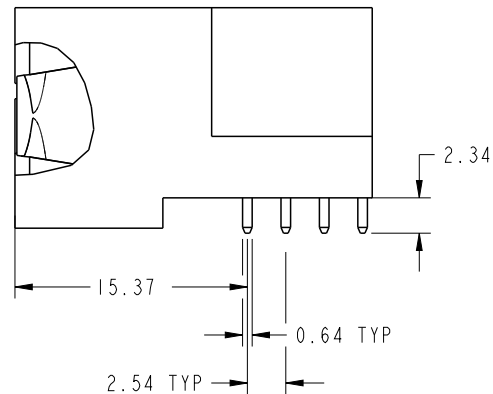
Print File - REV C - 2009-06-09

PRODUCT NUMBER

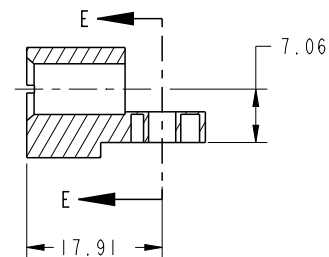
51939-957--  
NOTE: 3



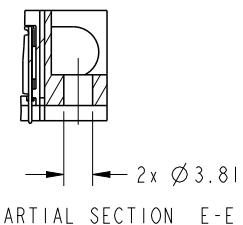
BROKEN-OUT SECTION A-A  
SCALE 2:1



BROKEN-OUT SECTION B-B  
SCALE 2:1



SECTION C-C



PARTIAL SECTION E-E

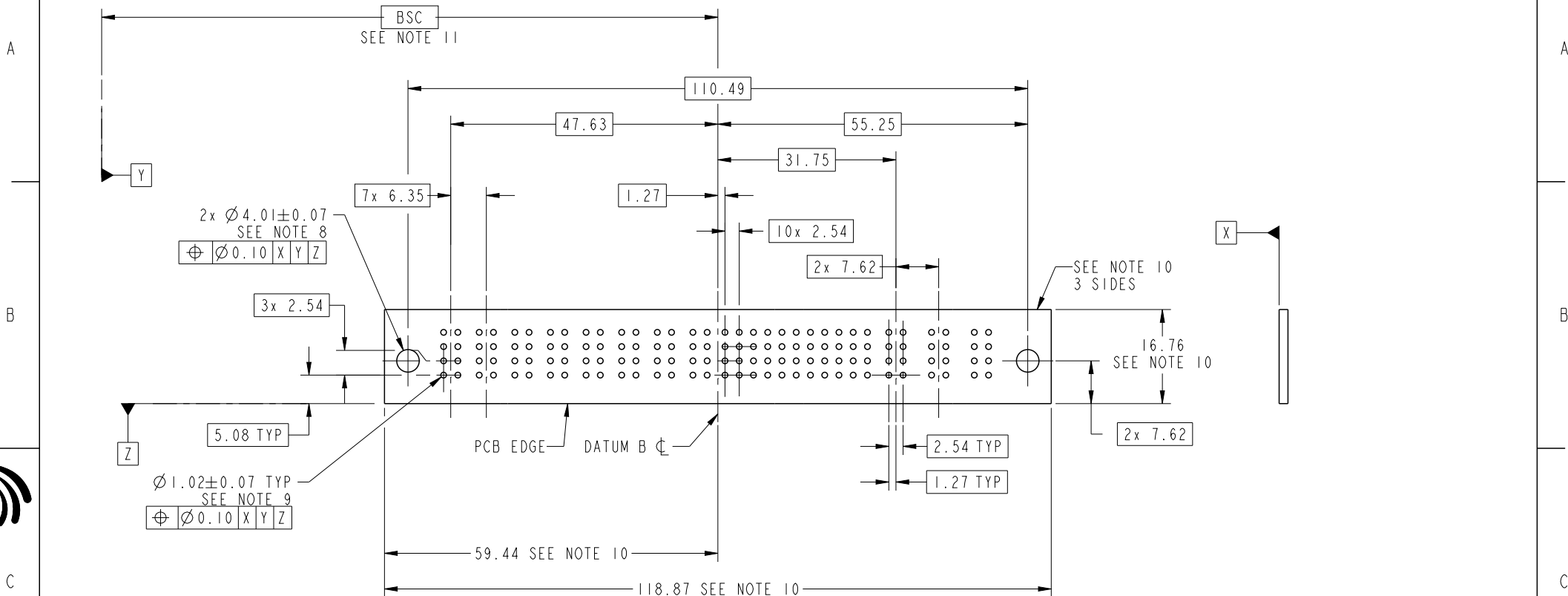
dr	Ruan MT	2015/01/28	projection 	MM ←→	size	A4	scale	1:1
eng	Luo Weller	2015/02/15			ecn no	-		
chr	-	-			rel level	Released		
appr	Pei-Ming Zheng	2015/02/15	product family	PwrBlade	rev	A		
	title	8P + 44S + 3ACP RIGHT ANGLE STB HEADER		dwg no	51939-957			
www.fci.com	cat. no.	-	Product - Customer Drw	sheet 2 of 4				



Copyright FCI.

PRODUCT NUMBER

51939-957--  
NOTE: 3



RECOMMENDED PCB LAYOUT

dr	Ruan MT	2015/01/28	projection 	MM 	size	A4	scale	1:1	
eng	Luo Weller	2015/02/15			ecn no	-			
chr	-	-			rel level	Released			
appr	Pei-Ming Zheng	2015/02/15	product family	PwrBlade					
		title	8P + 44S + 3ACP RIGHT ANGLE STB HEADER		dwg no	51939-957		rev	A
www.fci.com		cat. no.	-		Product - Customer Drw			sheet 3 of 4	

PRODUCT NUMBER

51939-957--  
NOTE: 3

NOTES:

1. DIMENSIONS AND TOLERANCES ARE IN ACCORDANCE WITH ASME Y14.5M, 1994 UNLESS OTHERWISE SPECIFIED.

CONNECTOR NOTES:

- 2. HOUSING MATERIAL: UL 94 V-0 GLASS FILLED HIGH-TEMP THERMOPLASTIC  
POWER CONTACT MATERIAL: COPPER ALLOY  
SIGNAL PIN MATERIAL: COPPER ALLOY
- 3. SEE ITEM 1 & 2 IN PRINT 10064183 FOR PLATING SPEC OF 51939-957 AND 51939-957LF RESPECTIVELY.
- 4. MANUFACTURER'S NAME, DATE CODE AND OPTIONAL P/N TO APPEAR ON THIS SURFACE. THE MARK CAN BE OMITTED IF THERE IS NOT ENOUGH SPACE ON THIS SURFACE.
- 5. PRODUCT SPECIFICATION GS-12-149.  
APPLICATION SPECIFICATION BUS-20-067.
- 6. PACKAGED IN TRAYS.

PCB NOTES:

- 7. ALL HOLE DIAMETERS ARE FINISHED HOLE SIZE.
- 8. MOUNTING HOLES, WHERE APPLICABLE, ARE UNPLATED.
- 9.  $\varnothing 1.151 \pm 0.025$  DRILLED HOLES PLATED WITH  
0.008 MIN SnPb OR Sn OVER 0.03  
TO 0.08 Cu PLATING TO ACHIEVE  
 $\varnothing 1.02 \pm 0.07$  HOLE.
- 10. CONNECTOR KEEP-OUT ZONE.
- 11. DATUM AND BASIC DIMENIONS ARE ESTABLISHED BY CUSTOMER.



Copyright FCI.

dr	Ruan MT	2015/01/28	projection 	MM 	size	A4	scale	1:1	
eng	Luo Weller	2015/02/15			ecm no	-			
chr	-	-							
appr	Pei-Ming Zheng	2015/02/15	product family	PwrBlade	rel level	Released			
	title	8P + 4S + 3ACP RIGHT ANGLE STB HEADER			dwg no	51939-957		rev	A
www.fci.com	cat. no.	-	Product - Customer Drw			sheet 4 of 4			