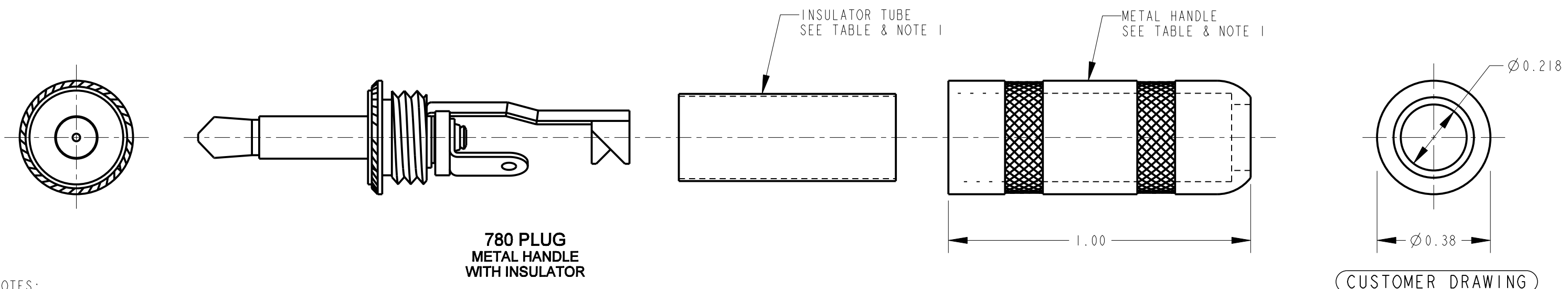
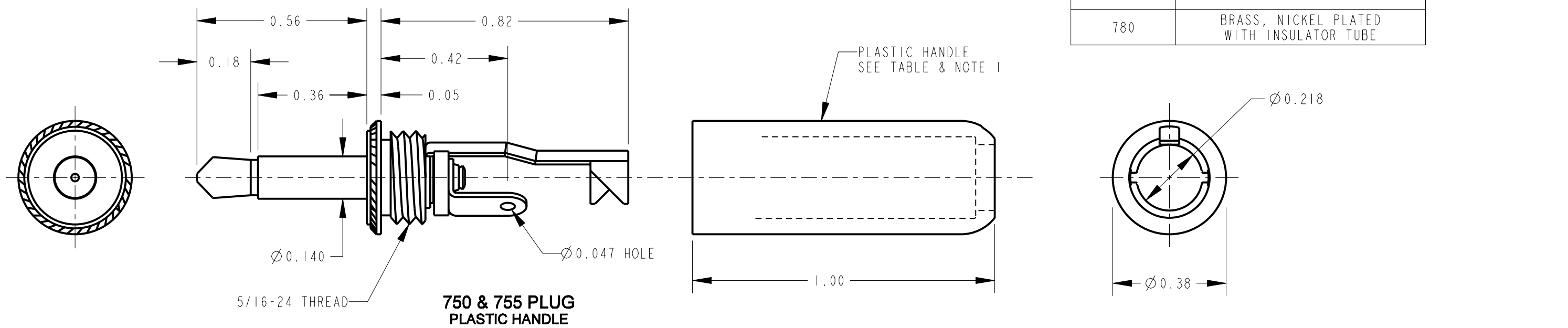


| PART NUMBER | HANDLE - MATERIAL AND FINISH |
|-------------|--|
| 750 | THERMOPLASTIC, BLACK |
| 755 | THERMOPLASTIC, RED |
| 780 | BRASS, NICKEL PLATED WITH INSULATOR TUBE |



- NOTES:
- HANDLE AND INSULATOR SHIPPED UNASSEMBLED.
 - MATES WITH SWITCHCRAFT #41 JACK.
 - MATERIALS:
 PLUG BODY - BRASS, NICKEL PLATED
 TIP ROD - BRASS, NICKEL PLATED
 PLUG INSULATORS - PHENOLIC & MYLAR
 TERMINALS - BRASS, TIN PLATED
 SCREWS - BRASS, NICKEL PLATED
 HANDLE AND INSULATOR TUBE - SEE TABLE
 - THESE PRODUCTS ARE RoHS COMPLIANT.

| REV | ECO NUMBER | DATE | BY | APVD |
|-----------|------------|----------|-----|------|
| E | 27210 | 10-18-13 | TO | TJK |
| D | 26777 | 5-23-11 | TJK | TJK |
| REVISIONS | | | | |

★ STAR SYMBOL DENOTES CRITICAL DIMENSION

UNLESS OTHERWISE SPECIFIED

- ALL DIMENSIONS IN INCHES
 - TWO PLACE DECIMALS ±0.01
 - THREE PLACE DECIMALS ±0.005
 - ANGLES ±1°
 - ALL DIA. CONCENTRIC WITHIN 0.005 T.I.R.
- FEATURES ON THE SAME CENTERLINE MUST BE ALIGNED WITHIN ±0.002
- REMOVE ALL BURRS

DO NOT SCALE DRAWING

| | | | | | | | | | |
|--|-------|------|--------|--------|---------------------------------|--|-----|--|--|
| THIS DRAWING DESCRIBES A DESIGN CONSIDERED PROPRIETARY IN NATURE, DEVELOPED AND MANUFACTURED BY SWITCHCRAFT INC. AND IS RELEASED ON A CONFIDENTIAL BASIS FOR IDENTIFICATION PURPOSES ONLY. | | | | | | | | | |
| SIZE | WIDTH | MULT | LBS/M | TEMPER | | | | | |
| FINISH | | | | | MATERIAL | | | | |
| SPEC No. | | | | | SPEC No. | | | | |
| FIRST USED ON | | | SCALE | | Switchcraft [®] | | | | |
| | | | 3:1 | | | | | | |
| DATE DRAWN | BY | CHKD | APVD | | | | | | |
| 19-May-64 | JRT | CJD | LG | | | | | | |
| | | | 7-6-64 | | 7-7-64 | | | | |
| NAME TINI PLUG, 2 CONDUCTOR WITH SOLDER TERMINALS, RoHS | | | | | PART No. | | REV | | |
| | | | | | 750 755 780 | | E | | |