

Part Number: D312731

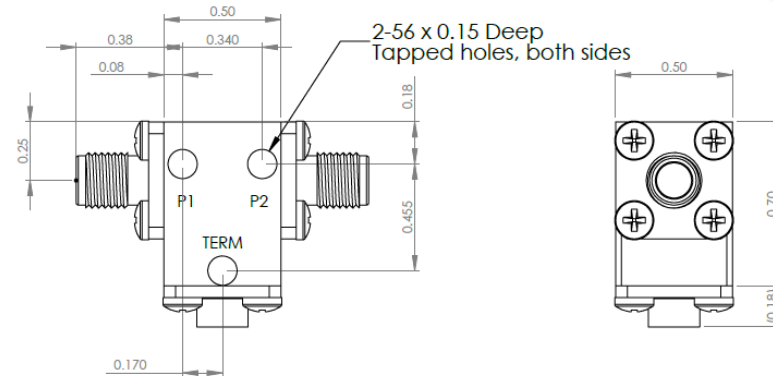
Electrical Specifications

| | |
|------------------------|----------------|
| Frequency Range (GHz): | 27.0 – 31.0 |
| Isolation (dB): | 20 MIN |
| Insertion Loss (dB): | 0.6 MAX |
| VSWR: | 1.25:1 MIN |
| Forward Power (W): | 5 AVG 30 PK |
| Reflective Power (W): | 2 AVG |

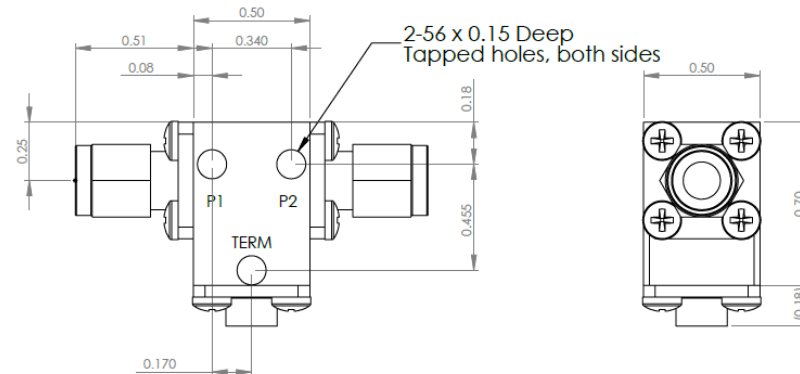
Mechanical/Environmental Specifications

| | |
|-------------------|----------------------------|
| Connector Type: | K (2.92mm) |
| Connector Body: | Passivated stainless steel |
| Connector Pin: | Gold plated copper |
| Load Body: | Brass |
| Magnetic Shunt: | Nickel plated CRS |
| Operational Temp: | -20°C to +65°C |
| Weight (oz) | 0.9 MAX |

D312731 Dimensions



D312731-3 Dimensions



Dimensions are in inches
Tolerance

| | |
|-----|--------|
| XX | ±0.03 |
| XXX | ±0.010 |

| Type of Device | PN Suffix | Connector Configuration Input / Output | PN Example |
|---|-----------|---|------------|
| Single and Dual Junction Isolator, 2-Port Device Input / Output | N/A | Female / Female | D312731 |
| | -1 | Male / Female | D312731-1 |
| | -2 | Female / Male | D312731-2 |
| | -3 | Male / Male | D312731-3 |



MEASURED DATA

Part Number: D312731, +25°C

