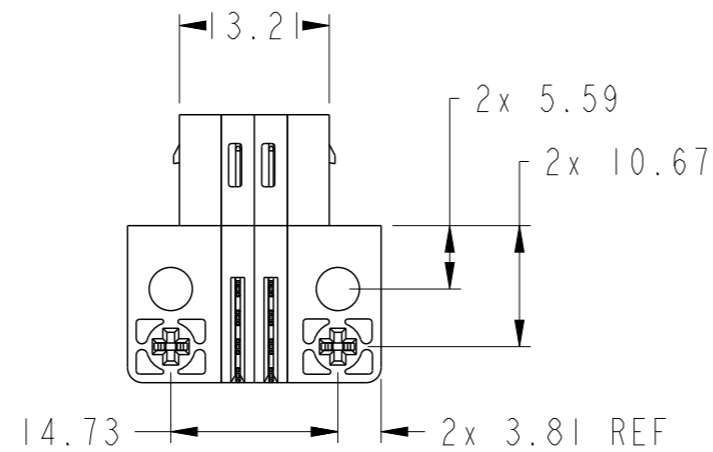
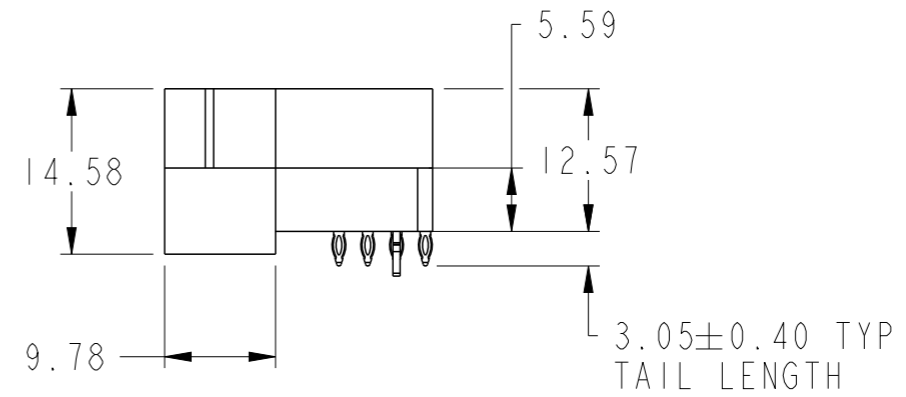
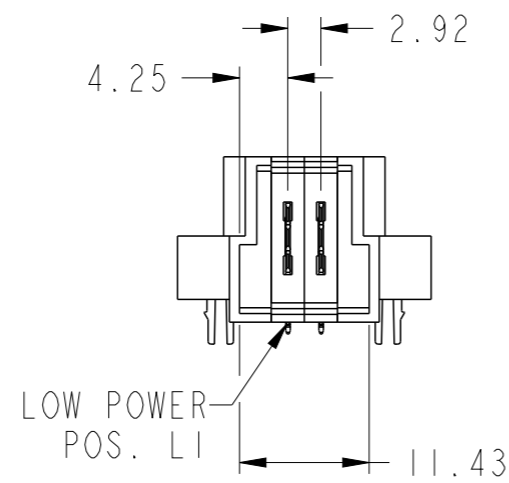
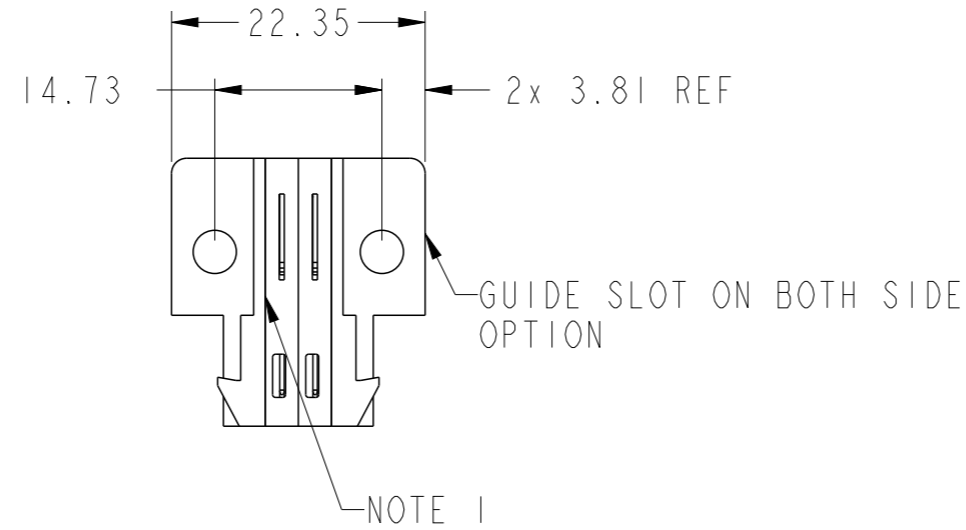
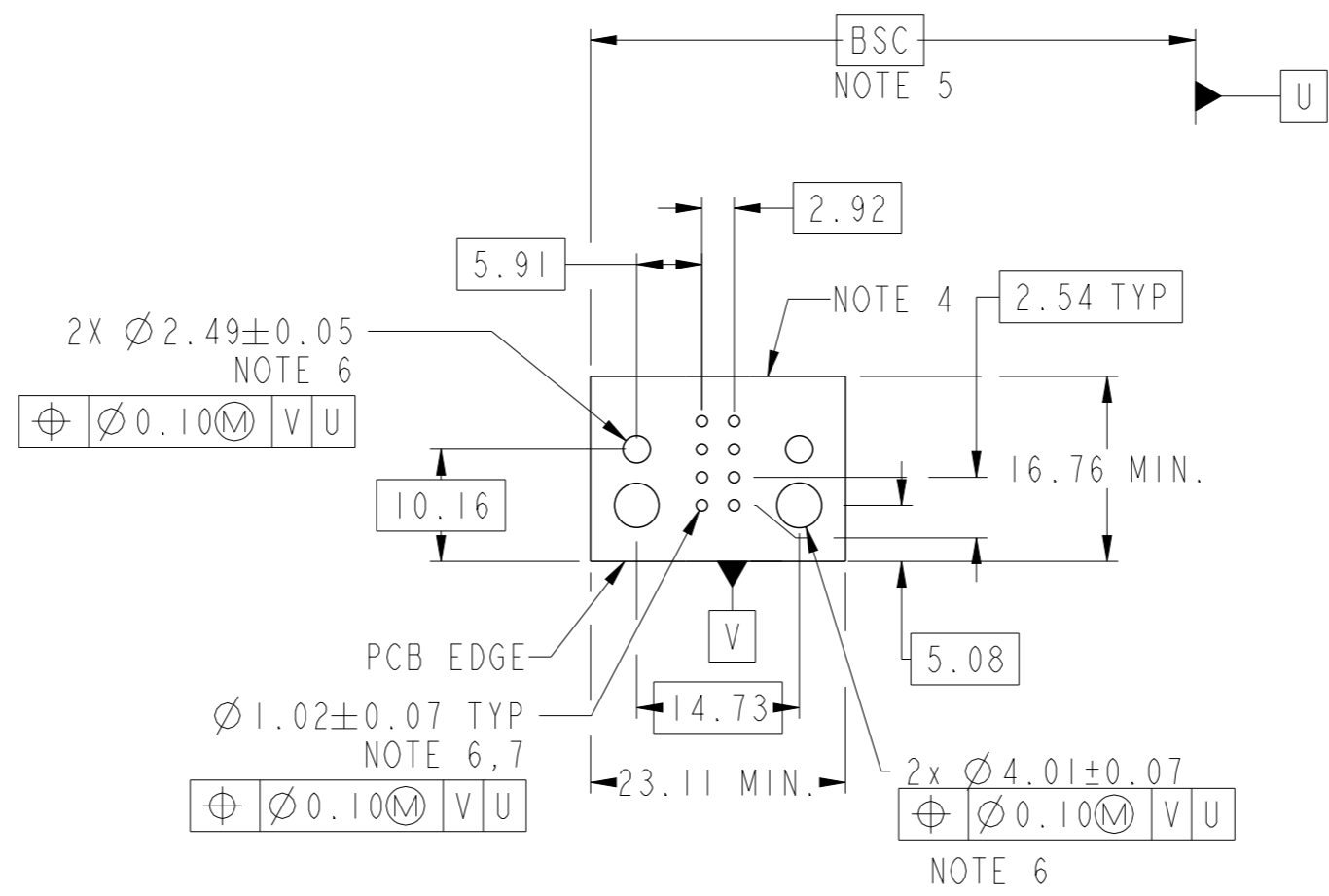


PRODUCT NUMBER SEE SHEET 2



spec ref	*	dr	Rainbow Zhan	2015/04/29	projection	MM	size	A3	scale	3:2
tolerance std	ASME Y14.5	eng	Rainbow Zhan	2016/04/07			ecn no	-	rel level	Released
TOLERANCES UNLESS OTHERWISE SPECIFIED		chr	Fancy Zhang	2016/04/06			product family	PwrBlade+	rel level	Released
surface	linear	0.X	±0.5	<b>Amphenol FCI</b> www.fci.com	2LP RA PF PLUG		dwg no	10106263-0200401	rev	A
		0.XX	±0.25		cat. no.	Product - Customer Drw	sheet 1 of 3			
ASME Y14.5	angular	0°	±2°		PDS: Rev :A	STATUS:Released	Printed: Apr 07, 2016			

PRODUCT NO.	ROWS	LP			
		E1	P1	P2	E2
10106263-0200401LF	DCBA				



Amphenol  
FCi

© 2016 AFCI

CODE	DESCRIPTION
HA	METAL HOLD DOWN
LS	STD LOW POWER CONTACT (3.05)

spec ref	*	dr	Rainbow Zhan	2015/04/29	projection	MM	size	A3	scale	3:2
tolerance std	ASME Y14.5	eng	Rainbow Zhan	2016/04/07			ecn no		rel level	
TOLERANCES UNLESS OTHERWISE SPECIFIED		chr	Fancy Zhang	2016/04/06			-		Released	
surface	linear	appr	Pei-Ming Zheng	2016/04/07	product family		PwrBlade+		dwg no	10106263-0200401
ASME Y14.5	angular								rev	A
0.X	±0.5	Amphenol FCI		2LP		cat. no.		Product - Customer Drw		sheet 2 of 3
0.XX	±0.25	www.fci.com		RA PF PLUG		STATUS:Released		Printed: Apr 07, 2016		
0.XXX	±0.10									
0°	±2°									

NOTES:

- 1) "FCI", PART NUMBER AND DATE CODE TO BE MARKED ON THIS SURFACE.  
THE MARK CAN BE OMITTED IF THERE IS NOT ENOUGH SPACE ON THIS SURFACE.
- 2) MATERIALS:  
-HOUSING - GLASS FILLED WITH HIGH TEMP THERMOPLASTIC, UL94V-0.  
-SIGNAL CONTACT - COPPER ALLOY.  
-POWER CONTACT - HIGH CONDUCTIVITY COPPER ALLOY.
- 3) PLATING SPECIFICATION REFER TO FCI 10116351
- 4) DENOTES CONNECTOR KEEP OUT ZONE.
- 5) DATUM AND BASIC DIMENIONS WERE ESTABLISHED BY CUSTOMER.
- 6) ALL HOLE DIAMETERS ARE FINISHED HOLE SIZES.
- 7) 1.15±0.025MM DRILLED HOLE PLATED WITH 0.00762MM MIN Sn  
OVER 0.0254-0.0762MM Cu PLATING TO ACHIEVE A 1.02±0.07MM HOLE.
- 8) PRODUCT SPECIFICATION REFER TO FCI GS-12-658.  
APPLICATION SPECIFICATION REFER TO FCI GS-20-141.  
PRODUCT PACKAGED IN TRAYS, REFER TO FCI GS-14-1502.

Amphenol  
FCi

© 2016 AFCI

spec ref *		dr	Rainbow Zhan	2015/04/29	projection	MM	size	A3	scale	3:2
tolerance std	TOLERANCES UNLESS OTHERWISE SPECIFIED	eng	Rainbow Zhan	2016/04/07		← →	ecn no		-	
ASME Y14.5		chr	Fancy Zhang	2016/04/06			rel level		Released	
surface		appr	Pei-Ming Zheng	2016/04/07			product family	PwrBlade+		
ASME Y14.5	linear	0.X	±0.5	Amphenol FCi	2LP	RA PF PLUG	dwg no	10106263-0200401		rev
		0.XX	±0.25							
		0.XXX	±0.10							
	angular	0°	±2°	www.fci.com	cat. no.	Product - Customer Drw		sheet 3 of 3		