

GlobTek, Inc. www.globtek.com 186 Veterans Drive, Northvale, NJ 07647 Tel. (201) 784-1000 Fax (201) 784-0111	Drawing Title: GTM96600-5409-P2, ICT / ITE / Medical Power Supply/Class 2/Household Power Supply, Efficiency Level: USA DOE Level VI / Eco-design Directive 2009/125/EC, (EU) 2019/1782, Case Color/Style: GlobTek Black, Potted/Encapsulated in plastic housing, Regulated Switchmode AC-DC Power Supply AC Adaptor, Input Rating: 100-240V~, 50-60Hz, Lead Wires , Output Rating: 54W, 9.0V@6.0A, Output Configuration: 600 mm, 16/2 Cond, UL 2464, Stripped 7+/-1mm, Ferrite: Core size: 17.5*28.5*12.5, N/A, GT Cord # C40082, Pin Out: Red Lead (+), Black Lead (-), Blades/Input Cord: (Order Separately), Approvals: cETLus 60601-1; IEC 61558-1; CB 60950; CE; China RoHS; Double Insulation; PSE; PSE; PSE; Level VI; Ukraine; VCCI; WEEE; LPS 60950; RCM; CB 62368; EAC; cETLus UL1310 (36V only); S-Mark IEC/EN 60601-1; UL 1310; CB 61158; Morocco; FCC; UKCA; 61558-1; IP68;	
	Model No. GTM96600-5409-P2	
	Part No./Ordering No. PR9SD6000A00-IMR6B	Rev B

In Addition to GlobTek Inc.'s renewed ISO9001:2015 - Quality Management System Certification, GlobTek Inc. is now certified to:

ISO13485:2016 - Medical Devices Quality Management System Certification
ISO14001:2015 - Environmental Management System Certification

ISO Certificates are available online at <https://www.globtek.com/iso-certificates/>

The acceptance of this specification and use of the product described in this document indicates the acceptance and binding of the customer to Globtek TERMS AND CONDITIONS (attached to the end of this document), which supersede all other agreements, terms, and conditions (<https://en.globtek.com/terms-and-conditions/>).

The purchaser of this product (Customer) agrees that it is their sole responsibility to determine suitability/fitness of the product described in this specification for their application and to take precautions for protection against any hazards attendant to the handling and use of the product.

Footnote:

GlobTek Inc. will not be liable for the safety and performance of these power supplies/battery packs if unauthorized access and repair occurs. End user should consult applicable UL, CSA or EN standards for proper installation instruction.

Limitation of Use:

GlobTek products are intended for use with commercial, medical, and/or industrial equipment only. GlobTek product are not authorized for use as mission critical components in life support hazardous environment, nuclear or aircraft applications without prior written approval from the CEO of GlobTek Inc.

Contents of this document are subject to change without prior notice.

Customer Approval of Specification:

Please approve, sign and send back to GlobTek so we can complete order processing.
A delay in receipt of this form will delay delivery schedule.

Company Name: _____	Customer P/N: _____
Quote Number: _____	Date: _____
Authorized Representative Name: _____	Authorized Representative Signature: _____

GloTek, Inc. www.globtek.com 186 Veterans Drive, Northvale, NJ 07647 Tel. (201) 784-1000 Fax (201) 784-0111	Drawing Title: GTM96600-5409-P2, ICT / ITE / Medical Power Supply/Class 2/Household Power Supply, Efficiency Level: USA DOE Level VI / Eco-design Directive 2009/125/EC, (EU) 2019/1782, Case Color/Style: GlobTek Black, Potted/Encapsulated in plastic housing, Regulated Switchmode AC-DC Power Supply AC Adaptor, Input Rating: 100-240V~, 50-60Hz, Lead Wires , Output Rating: 54W, 9.0V@6.0A, Output Configuration: 600 mm, 16/2 Cond, UL 2464, Stripped 7+/-1mm, Ferrite: Core size: 17.5*28.5*12.5, N/A, GT Cord # C40082, Pin Out: Red Lead (+), Black Lead (-), Blades/Input Cord: (Order Separately), Approvals: cETLus 60601-1; IEC 61558-1; CB 60950; CE; China RoHS; Double Insulation; PSE; PSE; PSE; Level VI; Ukraine; VCCI; WEEE; LPS 60950; RCM; CB 62368; EAC; cETLus UL1310 (36V only); S-Mark IEC/EN 60601-1; UL 1310; CB 61158; Morocco; FCC; UKCA; 61558-1; IP68;		
	Model No. GTM96600-5409-P2		
	Part No./Ordering No. PR9SD6000A00-IMR6B		Rev B

REVISION HISTORY

REV	DESCRIPTION	SUB	DATE	APPROVED
B	Update O/P cord to UL2464/16AWG and ferrite 17.5*28.5*12.5 with 2 pass (1 turn), add Input cord length 600 mm	QA	05/29/2019	QA
A	Initial release	QA	05/01/2019	QA

POWER SUPPLY INFORMATION

TYPE	Potted/Encapsulated in plastic housing
TECHNOLOGY	Regulated Switchmode AC-DC Power Supply AC Adaptor
CASE COLOR	GlobTek Black
NAMEPLATE RATED INPUT	100-240V~, 50-60Hz, 1.5A
INPUT CONFIG	Lead Wires
WATTS	54.00
VOLTS OUT	9.0
CURRENT OUT (Amps)	6.0
BLADE/CORD INCLUDED	None (Order Separately)
BLADE/CORD INSTALLED	None :(Order Separately)
INGRESS PROTECTION	IP68
GROUNDING CONFIGURATION	(F1) Class II / Double Insulated
EFFICIENCY LEVEL	USA DOE Level VI / Eco-design Directive 2009/125/EC, (EU) 2019/1782
OUTPUT CONFIGURATION	600 mm, 16/2 Cond, UL 2464, Stripped 7+/-1mm, Ferrite: Core size: 17.5*28.5*12.5, N/A, GT Cord # C40082
OVERMOLDED	No
CONNECTOR PIN OUT	Red Lead (+), Black Lead (-)
LABEL SPECS	Standard GT,L-1186
SPECIAL BARCODE LABEL MATERIAL	No
PACK SPEC	Standard DT, Individually Box, GT User Manual
USER MANUAL	809-DESKTOPUSERMANUAL on A4 paper

PROPRIETARY INFORMATION

GlobTek, Inc. www.globtek.com 186 Veterans Drive, Northvale, NJ 07647 Tel. (201) 784-1000 Fax (201) 784-0111	Drawing Title: GTM96600-5409-P2, ICT / ITE / Medical Power Supply/Class 2/Household Power Supply, Efficiency Level: USA DOE Level VI / Eco-design Directive 2009/125/EC, (EU) 2019/1782, Case Color/Style: GlobTek Black, Potted/Encapsulated in plastic housing, Regulated Switchmode AC-DC Power Supply AC Adaptor, Input Rating: 100-240V~, 50-60Hz, Lead Wires , Output Rating: 54W, 9.0V@6.0A, Output Configuration: 600 mm, 16/2 Cond, UL 2464, Stripped 7+/-1mm, Ferrite: Core size: 17.5*28.5*12.5, N/A, GT Cord # C40082, Pin Out: Red Lead (+), Black Lead (-), Blades/Input Cord: (Order Separately), Approvals: cETLus 60601-1; IEC 61558-1; CB 60950; CE; China RoHS; Double Insulation; PSE; PSE; PSE; Level VI; Ukraine; VCCI; WEEE; LPS 60950; RCM; CB 62368; EAC; cETLus UL1310 (36V only); S-Mark IEC/EN 60601-1; UL 1310; CB 61158; Morocco; FCC; UKCA; 61558-1; IP68;	
	Model No. GTM96600-5409-P2	
	Part No./Ordering No. PR9SD6000A00-IMR6B	Rev B

Notes/Modifications/Customizations (notes in this section supersede the values shown in the standard spec)

DIMENSIONS ARE IN MM UNLESS SPECIFIED OTHERWISE

INPUT WIRES:

UL1015 18AWG 2 CONDUCTORS, AC/N(Blue) & AC/L(Brown), Length: 600±5 mm

GloTek, Inc. www.globtek.com 186 Veterans Drive, Northvale, NJ 07647 Tel. (201) 784-1000 Fax (201) 784-0111	Drawing Title: GTM96600-5409-P2, ICT / ITE / Medical Power Supply/Class 2/Household Power Supply, Efficiency Level: USA DOE Level VI / Eco-design Directive 2009/125/EC, (EU) 2019/1782, Case Color/Style: GlobTek Black, Potted/Encapsulated in plastic housing, Regulated Switchmode AC-DC Power Supply AC Adaptor, Input Rating: 100-240V~, 50-60Hz, Lead Wires , Output Rating: 54W, 9.0V@6.0A, Output Configuration: 600 mm, 16/2 Cond, UL 2464, Stripped 7+/-1mm, Ferrite: Core size: 17.5*28.5*12.5, N/A, GT Cord # C40082, Pin Out: Red Lead (+), Black Lead (-), Blades/Input Cord: (Order Separately), Approvals: cETLus 60601-1; IEC 61558-1; CB 60950; CE; China RoHS; Double Insulation; PSE; PSE; PSE; Level VI; Ukraine; VCCI; WEEE; LPS 60950; RCM; CB 62368; EAC; cETLus UL1310 (36V only); S-Mark IEC/EN 60601-1; UL 1310; CB 61158; Morocco; FCC; UKCA; 61558-1; IP68;	
	Model No. GTM96600-5409-P2	
	Part No./Ordering No. PR9SD6000A00-IMR6B	Rev B

ELECTRICAL SPECIFICATIONS

Input

Input Voltage:	Specified: 90-264VAC, Nameplate: 100-240VAC 100% rated load current for 90-264VAC 85% rated load current for 85-264VAC 100% rated load current for 110-370VDC
Input Frequency:	Specified: 47-63Hz, Nameplate: 50-60Hz
No Load Input Power:	<75mW @ 230VAC (EU CoC Tier 2 compliant) for ≤ 49W rating <150mW @ 230VAC (EU CoC Tier 2 compliant) for > 49W rating
Inrush Current:	30A/60A max. (cold start @ 115V/230VAC)
Efficiency:	DoE Level VI and EU CoC Tier 2 compliant

Output

Turn-on Delay:	1 second max. @ 115VAC and full load
Output Regulation:	± 5% (measured at output connector)
Line Regulation:	± 0.5% typ. (measured at output connector)
Ripple:	1% or 100mV, whichever is greater (using a 47µF low-ESR cap + 0.1µF ceramic capacitor, measured @ 20MHz BW, at output connector)
Transient Response:	5% max. deviation, 1ms typ. recovery time (with 40% to 70% load step)
Hold-up Time:	8ms typ. (nominal input voltage and full load)
Power Indicator:	Green LED

Protections

Input Protection:	MOV transient suppressor, input line fusing
Over-Current Protection:	110 - 160% of rated output current, auto-restart, current limit range determined by normal output power rating, not de-rated power rating
Short-Circuit Protection:	Auto-restart
Over-Voltage Protection:	110 - 130%, latched off, cycle AC to reset
Over-Temperature Protection:	On-chip temperature sensor (integrated in primary-side switching controller), shut down at Tj = ~140°C, latched off, cycle AC to reset

Environmental

MTBF:	1,500,000 hours @ 25°C ambient, full load (Telcordia SR-332, Issue 3)
Operating Temperature:	-20°C to 40°C (full load)
Storage Temperature:	-30°C to 80°C
Humidity:	0% to 95% relative humidity, non-condensing

PROPRIETARY INFORMATION

PROPRIETARY OF GLOBTEK, INC. ANY REPRODUCTION, DISCLOSURE OR USE OF THIS DRAWING, IN WHOLE OR IN PART, IS HEREBY PROHIBITED EXCEPT AS SPECIFIED IN

WRITING BY GLOBTEK, INC. © GlobTek, Inc. 2019 - 2023

quest / 08/01/2023 4:34:57 PM GMT CLONED FROM PR9SX1354A00-IMR6B

GloTek, Inc. www.globtek.com 186 Veterans Drive, Northvale, NJ 07647 Tel. (201) 784-1000 Fax (201) 784-0111	Drawing Title: GTM96600-5409-P2, ICT / ITE / Medical Power Supply/Class 2/Household Power Supply, Efficiency Level: USA DOE Level VI / Eco-design Directive 2009/125/EC, (EU) 2019/1782, Case Color/Style: GlobTek Black, Potted/Encapsulated in plastic housing, Regulated Switchmode AC-DC Power Supply AC Adaptor, Input Rating: 100-240V~, 50-60Hz, Lead Wires , Output Rating: 54W, 9.0V@6.0A, Output Configuration: 600 mm, 16/2 Cond, UL 2464, Stripped 7+/-1mm, Ferrite: Core size: 17.5*28.5*12.5, N/A, GT Cord # C40082, Pin Out: Red Lead (+), Black Lead (-), Blades/Input Cord: (Order Separately), Approvals: cETLus 60601-1; IEC 61558-1; CB 60950; CE; China RoHS; Double Insulation; PSE; PSE; PSE; Level VI; Ukraine; VCCI; WEEE; LPS 60950; RCM; CB 62368; EAC; cETLus UL1310 (36V only); S-Mark IEC/EN 60601-1; UL 1310; CB 61158; Morocco; FCC; UKCA; 61558-1; IP68;	
	Model No. GTM96600-5409-P2	
	Part No./Ordering No. PR9SD6000A00-IMR6B	Rev B

Altitude:	5000m
Cooling:	Convection
RoHS:	Complies with EU 2011/65/EU and China SJ/T 11363-2006
Note 1:	Regarding operating temperature a. See below de-rating table for output power capability at alternate temperature b. Extended low-end temperature range available as a custom option

Safety

Dielectric Withstand Voltage:	4000VAC or 5656VDC from input to output 3000VAC or 4242VDC from input to earth (Class I models only)
Touch Current:	Class I: 20µA max. Class II: 85µA max. Class II F2: 20µA max.
Earth Leakage Current	Class I: 300µA max. Class II: N/A
Means of Protection:	2 x MOPP
Output Isolation Options:	Class I: C6 or C14 inlet (output negative tied to Earth contact) Class II: C8 or C18 inlet Class II FE: C6 or C14 inlet (output isolated from Earth contact) Review isolation options by reading our white paper PSU Isolation and Identity .
Earth Continuity Test:	< 0.1Ω between earth pin (on AC inlet) and PCB termination point (Class I models only)
Compliant Standards:	See listing at end of this datasheet for specific standards

EMC

Applicable Standards:	Medical: EN60601-1-2, 4th edition Emissions: EN55032, EN61000-6-3, EN61000-6-4, CISPR11, CISPR22 Immunity: EN55024, EN61000-6-1, EN61000-6-2
Conducted Emissions:	Class B, FCC Part 15, Class B (with resistive load)
Radiated Emissions:	Class B, FCC Part 15, Class B (with resistive load)
Harmonic Current Voltage Distortion:	EN61000-3-2, Class A
Voltage Fluctuations/Flicker:	EN61000-3-3
Electrostatic Discharge (ESD) Immunity:	EN61000-4-2, 10KV contact discharge, 20KV air discharge
Radiated RF Immunity:	EN61000-4-3, 10V/m 80-1000MHz, 3V/m 1-2.7GHz, 80% 1KHz AM
EFT/Burst Immunity:	EN61000-4-4, 4KV/100kHz.
Line Surge Immunity:	EN61000-4-5, 2KV differential, 4KV common-mode
Conducted RF Immunity:	EN61000-4-6, 3VRMS, 80% 1KHz AM
Power Frequency Magnetic Field Immunity:	EN61000-4-8, 3A/m
Voltage Dip Immunity:	EN61000-4-11

Enclosure

GloTek, Inc. www.globtek.com 186 Veterans Drive, Northvale, NJ 07647 Tel. (201) 784-1000 Fax (201) 784-0111	Drawing Title: GTM96600-5409-P2, ICT / ITE / Medical Power Supply/Class 2/Household Power Supply, Efficiency Level: USA DOE Level VI / Eco-design Directive 2009/125/EC, (EU) 2019/1782, Case Color/Style: GloTek Black, Potted/Encapsulated in plastic housing, Regulated Switchmode AC-DC Power Supply AC Adaptor, Input Rating: 100-240V~, 50-60Hz, Lead Wires , Output Rating: 54W, 9.0V@6.0A, Output Configuration: 600 mm, 16/2 Cond, UL 2464, Stripped 7+/-1mm, Ferrite: Core size: 17.5*28.5*12.5, N/A, GT Cord # C40082, Pin Out: Red Lead (+), Black Lead (-), Blades/Input Cord: (Order Separately), Approvals: cETLus 60601-1; IEC 61558-1; CB 60950; CE; China RoHS; Double Insulation; PSE; PSE; PSE; Level VI; Ukraine; VCCI; WEEE; LPS 60950; RCM; CB 62368; EAC; cETLus UL1310 (36V only); S-Mark IEC/EN 60601-1; UL 1310; CB 61158; Morocco; FCC; UKCA; 61558-1; IP68;	
	Model No. GTM96600-5409-P2	
	Part No./Ordering No. PR9SD6000A00-IMR6B	Rev B

Housing:	High impact plastic, 94V0 polycarbonate, non-vented
AC Input Mechanical Options:	Desktop: C6, C7, C14, or C18 inlet Hybrid: Desktop inlet or changeable blades for wall-plug-in style, Class I or Class II input
Markings:	Label and/or pad printed and/or laser-etched into case

Special Options

1. Removal of LED (cost reduction or aesthetic purpose)
2. Custom cordsets, various cordage types, and connector types
3. Custom markings
4. Short term output surge capability for motors or other high peak current loads. (Available up to 120W for 1 second at nameplate voltage range. Higher levels possible for limited input voltage range, or larger allowed voltage dip.)
5. Reduced leakage current
6. Tightened output voltage tolerance
7. Reduced output ripple level
8. Reduced output power rating
9. High reliability PCB laminate with plated through-holes for IPC610 Class 2 compliance
10. Low temperature option, down to -40°C
11. Special housing and cordset colors
12. "Back EMF" upgrade, for motor loads and other high inductance applications with reverse energy flow requirements
13. Improved ingress protection (IP) rating

Output Connectors

- Several output connector options are available with various output current ratings. GloTek can supply 10A rated 2.1mm and 2.5mm style DC Power Jacks, to complement our 10A output rated 2.1mm and 2.5mm DC power plugs used on our output cordsets.
- Please visit our real-time listing of mating connector product offering:
<https://en.globtek.com/news/high-current-coaxial-barrel-plug-jacks-for-high-wattage-power-supplies>

TO ADDRESS SYSTEM-LEVEL EMI CONCERNS, FERRITE CHOKES/BEADS MAY BE ADDED/REVISED UPON REQUEST. A SAMPLE KIT OF GLOBTEK'S STANDARD FERRITES IS AVAILABLE UNDER GLOBTEK P/N: EMI-MITIGATION-KIT1

FOR ADDITIONAL INFORMATION, PLEASE READ OUR WHITE PAPER AT: <https://r.globtek.info/3QeaqtD>

INGRESS PROTECTION: IP68

GlobTek, Inc.
 www.globtek.com
 186 Veterans Drive,
 Northvale, NJ 07647
 Tel. (201) 784-1000
 Fax (201) 784-0111

Drawing Title: GTM96600-5409-P2, ICT / ITE / Medical Power Supply/Class 2/Household Power Supply, Efficiency Level: USA DOE Level VI / Eco-design Directive 2009/125/EC, (EU) 2019/1782, Case Color/Style: GlobTek Black, Potted/Encapsulated in plastic housing, Regulated Switchmode AC-DC Power Supply AC Adaptor, Input Rating: 100-240V~, 50-60Hz, Lead Wires , Output Rating: 54W, 9.0V@6.0A, Output Configuration: 600 mm, 16/2 Cond, UL 2464, Stripped 7+/-1mm, Ferrite: Core size: 17.5*28.5*12.5, N/A, GT Cord # C40082, Pin Out: Red Lead (+), Black Lead (-), Blades/Input Cord: (Order Separately), Approvals: cETLus 60601-1; IEC 61558-1; CB 60950; CE; China RoHS; Double Insulation; PSE; PSE; PSE; Level VI; Ukraine; VCCI; WEEE; LPS 60950; RCM; CB 62368; EAC; cETLus UL1310 (36V only); S-Mark IEC/EN 60601-1; UL 1310; CB 61158; Morocco; FCC; UKCA; 61558-1; IP68;

Model No. GTM96600-5409-P2

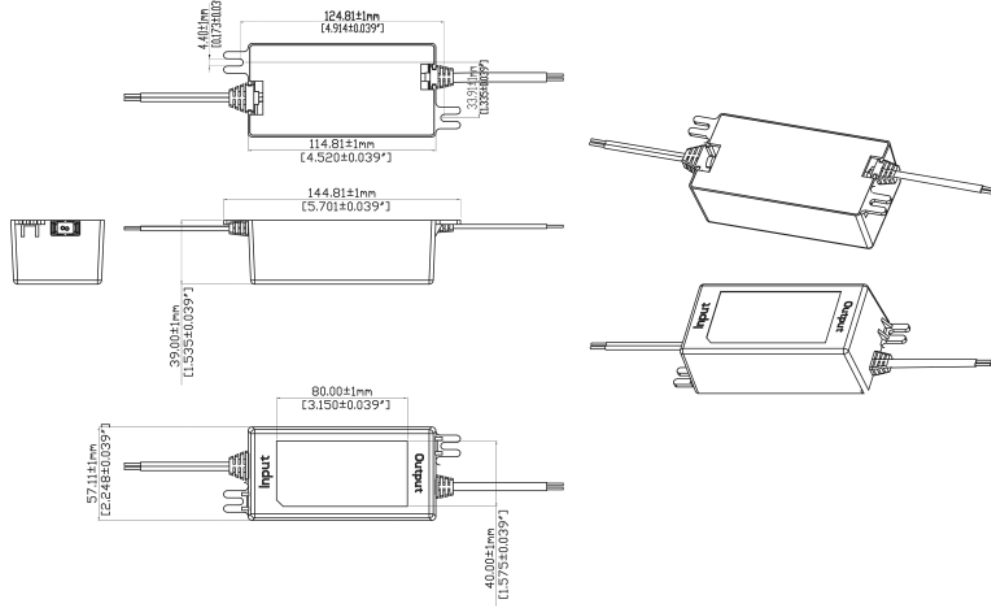
Part No./Ordering No. PR9SD6000A00-IMR6B

Rev B

3D File Download <https://www.globtek.com/dl/GTM96600-6512-P2.stp>

Mechanical drawing

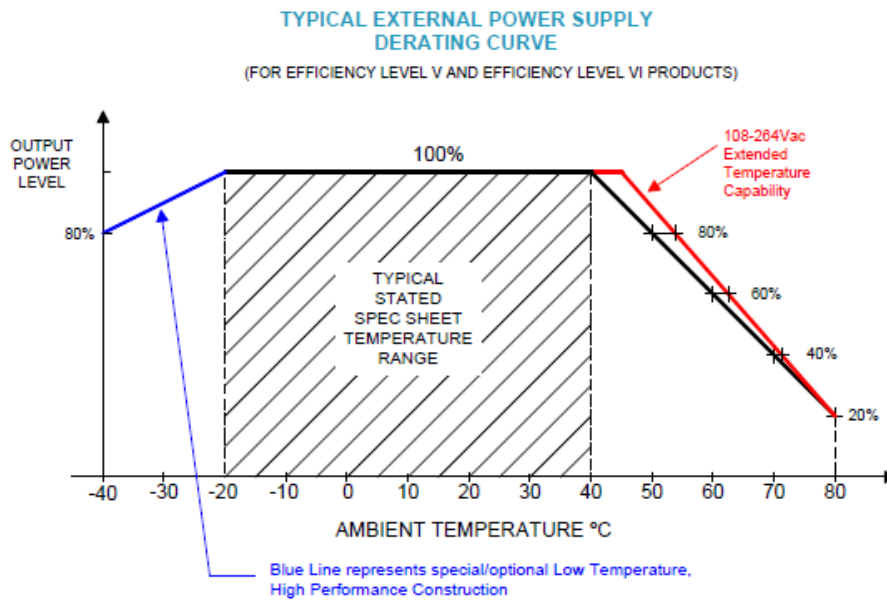
Ruggedized and waterproof IP68 construction



Input Blue wire is Neutral and Brown is Line (hot)

<p>GlobTek, Inc. www.globtek.com 186 Veterans Drive, Northvale, NJ 07647 Tel. (201) 784-1000 Fax (201) 784-0111</p>	<p>Drawing Title: GTM96600-5409-P2, ICT / ITE / Medical Power Supply/Class 2/Household Power Supply, Efficiency Level: USA DOE Level VI / Eco-design Directive 2009/125/EC, (EU) 2019/1782, Case Color/Style: GlobTek Black, Potted/Encapsulated in plastic housing, Regulated Switchmode AC-DC Power Supply AC Adaptor, Input Rating: 100-240V~, 50-60Hz, Lead Wires , Output Rating: 54W, 9.0V@6.0A, Output Configuration: 600 mm, 16/2 Cond, UL 2464, Stripped 7+/-1mm, Ferrite: Core size: 17.5*28.5*12.5, N/A, GT Cord # C40082, Pin Out: Red Lead (+), Black Lead (-), Blades/Input Cord: (Order Separately), Approvals: cETLus 60601-1; IEC 61558-1; CB 60950; CE; China RoHS; Double Insulation; PSE; PSE; PSE; Level VI; Ukraine; VCCI; WEEE; LPS 60950; RCM; CB 62368; EAC; cETLus UL1310 (36V only); S-Mark IEC/EN 60601-1; UL 1310; CB 61158; Morocco; FCC; UKCA; 61558-1; IP68;</p> <p>Model No. GTM96600-5409-P2</p> <p>Part No./Ordering No. PR9SD6000A00-IMR6B</p>	<p>Rev B</p>
----------------------------------------------------------------------------------------------------------------------------------------------	------------------------------------------------------------------------------------------------------------------------------------------------------------------------------------------------------------------------------------------------------------------------------------------------------------------------------------------------------------------------------------------------------------------------------------------------------------------------------------------------------------------------------------------------------------------------------------------------------------------------------------------------------------------------------------------------------------------------------------------------------------------------------------------------------------------------------------------------------------------------------------------------------------------------------------------------------------------------------------	--------------

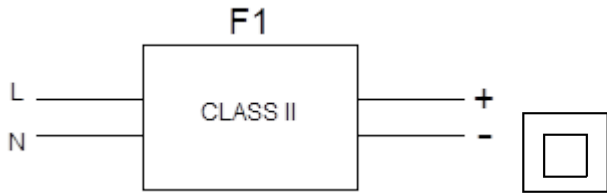
DERATING CURVE



GloTek, Inc. www.globtek.com 186 Veterans Drive, Northvale, NJ 07647 Tel. (201) 784-1000 Fax (201) 784-0111	Drawing Title: GTM96600-5409-P2, ICT / ITE / Medical Power Supply/Class 2/Household Power Supply, Efficiency Level: USA DOE Level VI / Eco-design Directive 2009/125/EC, (EU) 2019/1782, Case Color/Style: GlobTek Black, Potted/Encapsulated in plastic housing, Regulated Switchmode AC-DC Power Supply AC Adaptor, Input Rating: 100-240V~, 50-60Hz, Lead Wires , Output Rating: 54W, 9.0V@6.0A, Output Configuration: 600 mm, 16/2 Cond, UL 2464, Stripped 7+/-1mm, Ferrite: Core size: 17.5*28.5*12.5, N/A, GT Cord # C40082, Pin Out: Red Lead (+), Black Lead (-), Blades/Input Cord: (Order Separately), Approvals: cETLus 60601-1; IEC 61558-1; CB 60950; CE; China RoHS; Double Insulation; PSE; PSE; PSE; Level VI; Ukraine; VCCI; WEEE; LPS 60950; RCM; CB 62368; EAC; cETLus UL1310 (36V only); S-Mark IEC/EN 60601-1; UL 1310; CB 61158; Morocco; FCC; UKCA; 61558-1; IP68;	
	Model No. GTM96600-5409-P2	
	Part No./Ordering No. PR9SD6000A00-IMR6B	Rev B

INPUT CONFIGURATION

(F1) Class II / Double Insulated



[Alternate grounding configurations](#) available upon request.

Blades/Cord Included:None:(Order Separately)

Blades/Cord Installed:None:(Order Separately)

See "Blade/Cord Installed" section.

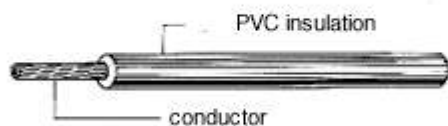
Contact GlobTek for customization requests such as Molded country plugs, Molex or TE connectors, or IEC connectors mounted on any type of cable in any customer specified lengths.

GlobTek, Inc. www.globtek.com 186 Veterans Drive, Northvale, NJ 07647 Tel. (201) 784-1000 Fax (201) 784-0111	Drawing Title: GTM96600-5409-P2, ICT / ITE / Medical Power Supply/Class 2/Household Power Supply, Efficiency Level: USA DOE Level VI / Eco-design Directive 2009/125/EC, (EU) 2019/1782, Case Color/Style: GlobTek Black, Potted/Encapsulated in plastic housing, Regulated Switchmode AC-DC Power Supply AC Adaptor, Input Rating: 100-240V~, 50-60Hz, Lead Wires , Output Rating: 54W, 9.0V@6.0A, Output Configuration: 600 mm, 16/2 Cond, UL 2464, Stripped 7+/-1mm, Ferrite: Core size: 17.5*28.5*12.5, N/A, GT Cord # C40082, Pin Out: Red Lead (+), Black Lead (-), Blades/Input Cord: (Order Separately), Approvals: cETLus 60601-1; IEC 61558-1; CB 60950; CE; China RoHS; Double Insulation; PSE; PSE; PSE; Level VI; Ukraine; VCCI; WEEE; LPS 60950; RCM; CB 62368; EAC; cETLus UL1310 (36V only); S-Mark IEC/EN 60601-1; UL 1310; CB 61158; Morocco; FCC; UKCA; 61558-1; IP68;	
	Model No. GTM96600-5409-P2	
	Part No./Ordering No. PR9SD6000A00-IMR6B	Rev B

OUTPUT CORD AND CONNECTOR: A2I/C40082

ACTUAL CONNECTORS, OVERMOLDS, FERRITES MAY VARY SLIGHTLY FROM THE PICTURE BELOW

CABLE TYPE	UL 2464
CABLE LENGTH (mm)	600
CABLE TOLERANCE (mm)	+/- 5
WIRE GAUGE (AWG)	16
CONDUCTORS	2
HANK DIMENSION (mm)	N/A
CABLE / CONNECTOR OVERMOLD COLOR	N/A
FERRITE TYPE AND DIMENSION	Core size: 17.5*28.5*12.5
FERRITE NUMBER OF TURNS (Definition)	2 Pass thru core (1 turns)
FERRITE DIMENSION FROM STRAIN RELIEF	50±10
FERRITE DIMENSION FROM PLUG	N/A
PLUG TYPE	Stripped 7+/-1mm
OVERMOLDED	No
OVER MOLD ORIENTATION	N/A
CONNECTOR PIN OUT	Red Lead (+), Black Lead (-)
ADDITIONAL REQUIREMENTS	UL1310 Warning Label Up To 36 Volts with plugs



ADDITIONAL OUTPUT PLUG OPTIONS ARE AVAILABLE AT <https://www.globtek.com/connectors/>
STANDARD PLUGS AND CONNECTORS CAN BE SEEN ONLINE AT <https://www.globtek.com/connectors/>
CALCULATE VOLTAGE REGULATION/DROP WITH OUR ONLINE CALCULATOR: <https://en.globtek.com/output-cable-regulation-calculator/>

GloTek, Inc. www.globtek.com 186 Veterans Drive, Northvale, NJ 07647 Tel. (201) 784-1000 Fax (201) 784-0111	Drawing Title: GTM96600-5409-P2, ICT / ITE / Medical Power Supply/Class 2/Household Power Supply, Efficiency Level: USA DOE Level VI / Eco-design Directive 2009/125/EC, (EU) 2019/1782, Case Color/Style: GlobTek Black, Potted/Encapsulated in plastic housing, Regulated Switchmode AC-DC Power Supply AC Adaptor, Input Rating: 100-240V~, 50-60Hz, Lead Wires , Output Rating: 54W, 9.0V@6.0A, Output Configuration: 600 mm, 16/2 Cond, UL 2464, Stripped 7+/-1mm, Ferrite: Core size: 17.5*28.5*12.5, N/A, GT Cord # C40082, Pin Out: Red Lead (+), Black Lead (-), Blades/Input Cord: (Order Separately), Approvals: cETLus 60601-1; IEC 61558-1; CB 60950; CE; China RoHS; Double Insulation; PSE; PSE; PSE; Level VI; Ukraine; VCCI; WEEE; LPS 60950; RCM; CB 62368; EAC; cETLus UL1310 (36V only); S-Mark IEC/EN 60601-1; UL 1310; CB 61158; Morocco; FCC; UKCA; 61558-1; IP68;	
	Model No. GTM96600-5409-P2	
	Part No./Ordering No. PR9SD6000A00-IMR6B	Rev B

OUTPUT CONNECTOR HOOK UP

TO ADDRESS SYSTEM-LEVEL EMI CONCERNS, FERRITE CHOKES/BEADS MAY BE ADDED/REVISED UPON REQUEST. A SAMPLE KIT OF GLOBTEK'S STANDARD FERRITES IS AVAILABLE UNDER GLOBTEK P/N: EMI-MITIGATION-KIT1

FOR ADDITIONAL INFORMATION, PLEASE READ OUR WHITE PAPER AT:

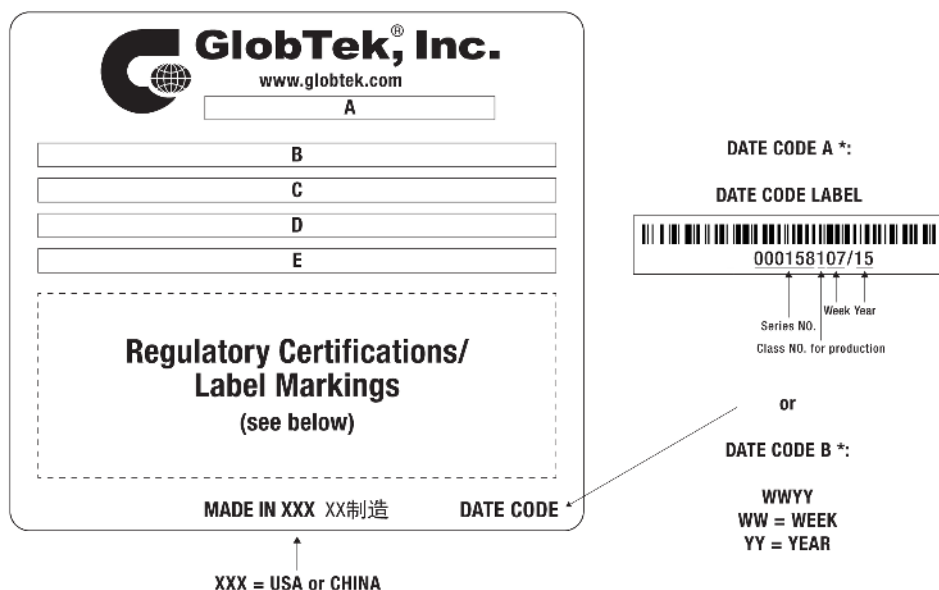
<https://en.globtek.com/technical-articles/ferrite-kit-radiated-emi-suppression-kit-for-globtek-power-supplies-cable-assemblies>

GloTek, Inc. www.globtek.com 186 Veterans Drive, Northvale, NJ 07647 Tel. (201) 784-1000 Fax (201) 784-0111	Drawing Title: GTM96600-5409-P2, ICT / ITE / Medical Power Supply/Class 2/Household Power Supply, Efficiency Level: USA DOE Level VI / Eco-design Directive 2009/125/EC, (EU) 2019/1782, Case Color/Style: GlobTek Black, Potted/Encapsulated in plastic housing, Regulated Switchmode AC-DC Power Supply AC Adaptor, Input Rating: 100-240V~, 50-60Hz, Lead Wires , Output Rating: 54W, 9.0V@6.0A, Output Configuration: 600 mm, 16/2 Cond, UL 2464, Stripped 7+/-1mm, Ferrite: Core size: 17.5*28.5*12.5, N/A, GT Cord # C40082, Pin Out: Red Lead (+), Black Lead (-), Blades/Input Cord: (Order Separately), Approvals: cETLus 60601-1; IEC 61558-1; CB 60950; CE; China RoHS; Double Insulation; PSE; PSE; PSE; Level VI; Ukraine; VCCI; WEEE; LPS 60950; RCM; CB 62368; EAC; cETLus UL1310 (36V only); S-Mark IEC/EN 60601-1; UL 1310; CB 61158; Morocco; FCC; UKCA; 61558-1; IP68;	
	Model No. GTM96600-5409-P2	
	Part No./Ordering No. PR9SD6000A00-IMR6B	Rev B

LABEL:L-1186

LABEL P/N	Standard GT
MATERIAL	Flat Thermal Transfer, Imprintable, Polyester Label and/or Pad Printed and/or Molded, and/or Laser Engraved in the case
BACKGROUND COLOR	Black if housing is Black, White or Silver if housing is White or Gray.
TEXT COLOR	White or Silver if label is Black Background for Black housing. Black if label is White or Silver background and Housing is White or Gray.
LABEL WIDTH (mm)	35.0
LABEL HEIGHT (mm)	70.0
SPECIAL BARCODE LABEL MATERIAL	No

Below is the minimum information which will appear on the label. NOTE: in the logo area additional/actual positioning of symbols and text is subjected to change as per agency updates/requirements or additional model approvals become available.
Regulatory certifications/label markings may be in logo area on the label or molded into the case housing outside the label area.
Information will be shown via label and/or pad printed and/or molded and/or laser engraved in the case. * Date code markings at GlobTek option



A=ICT / ITE / Medical Power Supply/Class 2/Household Power Supply
B=P/N: (料号) PR9SD6000A00-IMR6B
C=Model (型号) GTM96600-5409-P2
D=Input (输入)100-240V~, 50-60Hz, 1.5A
E=Output (输出)9.0 V 6.0 A, 54.00W

GloTek, Inc. www.globtek.com 186 Veterans Drive, Northvale, NJ 07647 Tel. (201) 784-1000 Fax (201) 784-0111	Drawing Title: GTM96600-5409-P2, ICT / ITE / Medical Power Supply/Class 2/Household Power Supply, Efficiency Level: USA DOE Level VI / Eco-design Directive 2009/125/EC, (EU) 2019/1782, Case Color/Style: GlobTek Black, Potted/Encapsulated in plastic housing, Regulated Switchmode AC-DC Power Supply AC Adaptor, Input Rating: 100-240V~, 50-60Hz, Lead Wires , Output Rating: 54W, 9.0V@6.0A, Output Configuration: 600 mm, 16/2 Cond, UL 2464, Stripped 7+/-1mm, Ferrite: Core size: 17.5*28.5*12.5, N/A, GT Cord # C40082, Pin Out: Red Lead (+), Black Lead (-), Blades/Input Cord: (Order Separately), Approvals: cETLus 60601-1; IEC 61558-1; CB 60950; CE; China RoHS; Double Insulation; PSE; PSE; PSE; Level VI; Ukraine; VCCI; WEEE; LPS 60950; RCM; CB 62368; EAC; cETLus UL1310 (36V only); S-Mark IEC/EN 60601-1; UL 1310; CB 61158; Morocco; FCC; UKCA; 61558-1; IP68;	
	Model No. GTM96600-5409-P2	
	Part No./Ordering No. PR9SD6000A00-IMR6B	Rev B

AGENCY ONLINE DOCUMENTS	http://www.globtek.info/certs/GTM96600-TZ/
CE EC-Declaration for Medical	http://globtek.force.com/models/ec_declaration_product?id=01t0c0000097Hu3&m=1
CE EC-Declaration for Industrial/Commercial/ITE	http://globtek.force.com/models/ec_declaration_product?id=01t0c0000097Hu3&i=2
CE EC-Declaration for Household	http://globtek.force.com/models/ec_declaration_product?id=01t0c0000097Hu3&h=2
UKCA-Declaration for Medical	http://globtek.force.com/models/ukca_declaration_product?id=01t0c0000097Hu3&m=1
UKCA-Declaration for Industrial/Commercial/ITE	http://globtek.force.com/models/ukca_declaration_product?id=01t0c0000097Hu3&i=2
UKCA-Declaration for Household	http://globtek.force.com/models/ukca_declaration_product?id=01t0c0000097Hu3&h=2
Morocco SDoC Declaration	https://globtek.secure.force.com/models/Morocco_SDoC_Declaration?id=a0Oa000000PRTgwEAD
RoHS/RoHS3 Declaration	https://www.globtek.com/pdf/rohs_cert/01t0c0000097Hu3AAE
REACH Declaration	https://www.globtek.com/pdf/iso_certificates/REACH.pdf
Conflict Minerals Declaration	https://www.globtek.com/pdf/conflict-minerals.pdf
Prop 65 Statement	https://en.globtek.com/prop-65-statement.pdf
IPXY rating is based on 3rd party testing and customers should check suitability and test system level IPXY rating before ordering.	

Regulatory Certifications/Label Markings

Below follows a link to the latest regulatory certifications and marks for this specific product. National standards as well as certification schemes are constantly changing and so is the set of certification marks and symbols applicable to this product. Various standards, marks and symbols, and certificates are subject to change at any time without notice.

Additional standards or unique country certifications are available upon request. Please contact Globtek to request a quotation.

LATEST PRODUCT/MODEL CERTIFICATIONS: <https://www.globtek.com/datasheet/w71165>

AGENCY ONLINE DOCUMENTS <http://www.globtek.info/certs/GTM96600-TZ/>



(F1) Class II / Double Insulated



Red Lead (+), Black Lead (-)

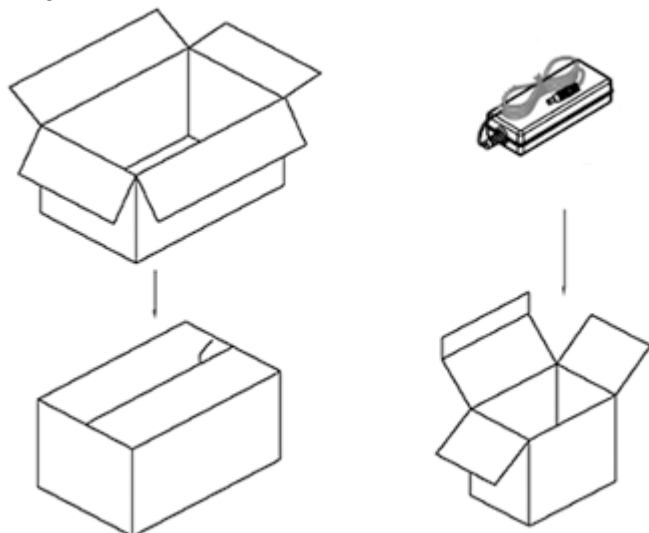
GloTek, Inc. www.globtek.com 186 Veterans Drive, Northvale, NJ 07647 Tel. (201) 784-1000 Fax (201) 784-0111	Drawing Title: GTM96600-5409-P2, ICT / ITE / Medical Power Supply/Class 2/Household Power Supply, Efficiency Level: USA DOE Level VI / Eco-design Directive 2009/125/EC, (EU) 2019/1782, Case Color/Style: GlobTek Black, Potted/Encapsulated in plastic housing, Regulated Switchmode AC-DC Power Supply AC Adaptor, Input Rating: 100-240V~, 50-60Hz, Lead Wires , Output Rating: 54W, 9.0V@6.0A, Output Configuration: 600 mm, 16/2 Cond, UL 2464, Stripped 7+/-1mm, Ferrite: Core size: 17.5*28.5*12.5, N/A, GT Cord # C40082, Pin Out: Red Lead (+), Black Lead (-), Blades/Input Cord: (Order Separately), Approvals: cETLus 60601-1; IEC 61558-1; CB 60950; CE; China RoHS; Double Insulation; PSE; PSE; PSE; Level VI; Ukraine; VCCI; WEEE; LPS 60950; RCM; CB 62368; EAC; cETLus UL1310 (36V only); S-Mark IEC/EN 60601-1; UL 1310; CB 61158; Morocco; FCC; UKCA; 61558-1; IP68;	
	Model No. GTM96600-5409-P2	
	Part No./Ordering No. PR9SD6000A00-IMR6B	Rev B

PACKAGING

Packing Spec P/N	Standard DT, Individually Box, GT User Manual
Box Qty	27
Gift Box Size (mm)	145*130*65
Gift Box Color	White
Master Carton Size (mm)	465 x 415 x 225
Master Carton Cubic Volume (m³)	0.04
Master GW (Kg)	15.6 kg
BLADES INCLUDED	None: (Order Separately)
BLADE/CORD INSTALLED	None: (Order Separately)
USER MANUAL*	809-DESKTOPUSERMANUAL on A4 paper
USER MANUAL WEB LINK	https://en.globtek.com/pdf/809-DESKTOPUSERMANUAL.jpg

* This specification sheet is considered the user manual for all applications. It is expected that the buyer of this product will use it to formulate their own user manual for their end product and a user manual specifically for the power adaptor is not usually required. If a user manual is not specifically listed above then none will be provided with this unit.

If specific packaging is required, this section must specify all requirements and note "no exceptions". If this section does not specify packaging, it is subject to change without notice at GlobTek's discretion



PROPRIETARY INFORMATION

<p>GlobTek, Inc. www.globtek.com 186 Veterans Drive, Northvale, NJ 07647 Tel. (201) 784-1000 Fax (201) 784-0111</p>	<p>Drawing Title: GTM96600-5409-P2, ICT / ITE / Medical Power Supply/Class 2/Household Power Supply, Efficiency Level: USA DOE Level VI / Eco-design Directive 2009/125/EC, (EU) 2019/1782, Case Color/Style: GlobTek Black, Potted/Encapsulated in plastic housing, Regulated Switchmode AC-DC Power Supply AC Adaptor, Input Rating: 100-240V~, 50-60Hz, Lead Wires , Output Rating: 54W, 9.0V@6.0A, Output Configuration: 600 mm, 16/2 Cond, UL 2464, Stripped 7+/-1mm, Ferrite: Core size: 17.5*28.5*12.5, N/A, GT Cord # C40082, Pin Out: Red Lead (+), Black Lead (-), Blades/Input Cord: (Order Separately), Approvals: cETLus 60601-1; IEC 61558-1; CB 60950; CE; China RoHS; Double Insulation; PSE; PSE; PSE; Level VI; Ukraine; VCCI; WEEE; LPS 60950; RCM; CB 62368; EAC; cETLus UL1310 (36V only); S-Mark IEC/EN 60601-1; UL 1310; CB 61158; Morocco; FCC; UKCA; 61558-1; IP68;</p>
	<p>Model No. GTM96600-5409-P2</p>
	<p>Part No./Ordering No. PR9SD6000A00-IMR6B</p>
	<p>Rev B</p>

INSTRUCTIONS TO THE OEM SYSTEMS ENGINEER

It is the responsibility of the OEM systems engineer to provide the end system user instructions and warnings for the use of this product in the end system.

If an input cord is required for this product, AC Mains voltage should be provided to the power supply by a power supply cord approved to the national standards of the country in which it will be used.

This product is not designed to be repaired. No serviceable parts inside. A blown internal fuse is an indication of catastrophic failure of circuit component(s). If a Failure Analysis is required for a failed power supply/battery charger, please return the damaged unit to GlobTek for an accurate determination of the root cause of the failure.

EMC Compliance of the complete OEM product, including the GlobTek power supply/battery charger needs to be verified by the OEM systems engineer.

INSTRUCTION SHEET

N/A

<p>GlobTek, Inc. www.globtek.com 186 Veterans Drive, Northvale, NJ 07647 Tel. (201) 784-1000 Fax (201) 784-0111</p>	Drawing Title: GTM96600-5409-P2, ICT / ITE / Medical Power Supply/Class 2/Household Power Supply, Efficiency Level: USA DOE Level VI / Eco-design Directive 2009/125/EC, (EU) 2019/1782, Case Color/Style: GlobTek Black, Potted/Encapsulated in plastic housing, Regulated Switchmode AC-DC Power Supply AC Adaptor, Input Rating: 100-240V~, 50-60Hz, Lead Wires , Output Rating: 54W, 9.0V@6.0A, Output Configuration: 600 mm, 16/2 Cond, UL 2464, Stripped 7+/-1mm, Ferrite: Core size: 17.5*28.5*12.5, N/A, GT Cord # C40082, Pin Out: Red Lead (+), Black Lead (-), Blades/Input Cord: (Order Separately), Approvals: cETLus 60601-1; IEC 61558-1; CB 60950; CE; China RoHS; Double Insulation; PSE; PSE; PSE; Level VI; Ukraine; VCCI; WEEE; LPS 60950; RCM; CB 62368; EAC; cETLus UL1310 (36V only); S-Mark IEC/EN 60601-1; UL 1310; CB 61158; Morocco; FCC; UKCA; 61558-1; IP68;	
	Model No. GTM96600-5409-P2	
	Part No./Ordering No. PR9SD6000A00-IMR6B	Rev B

