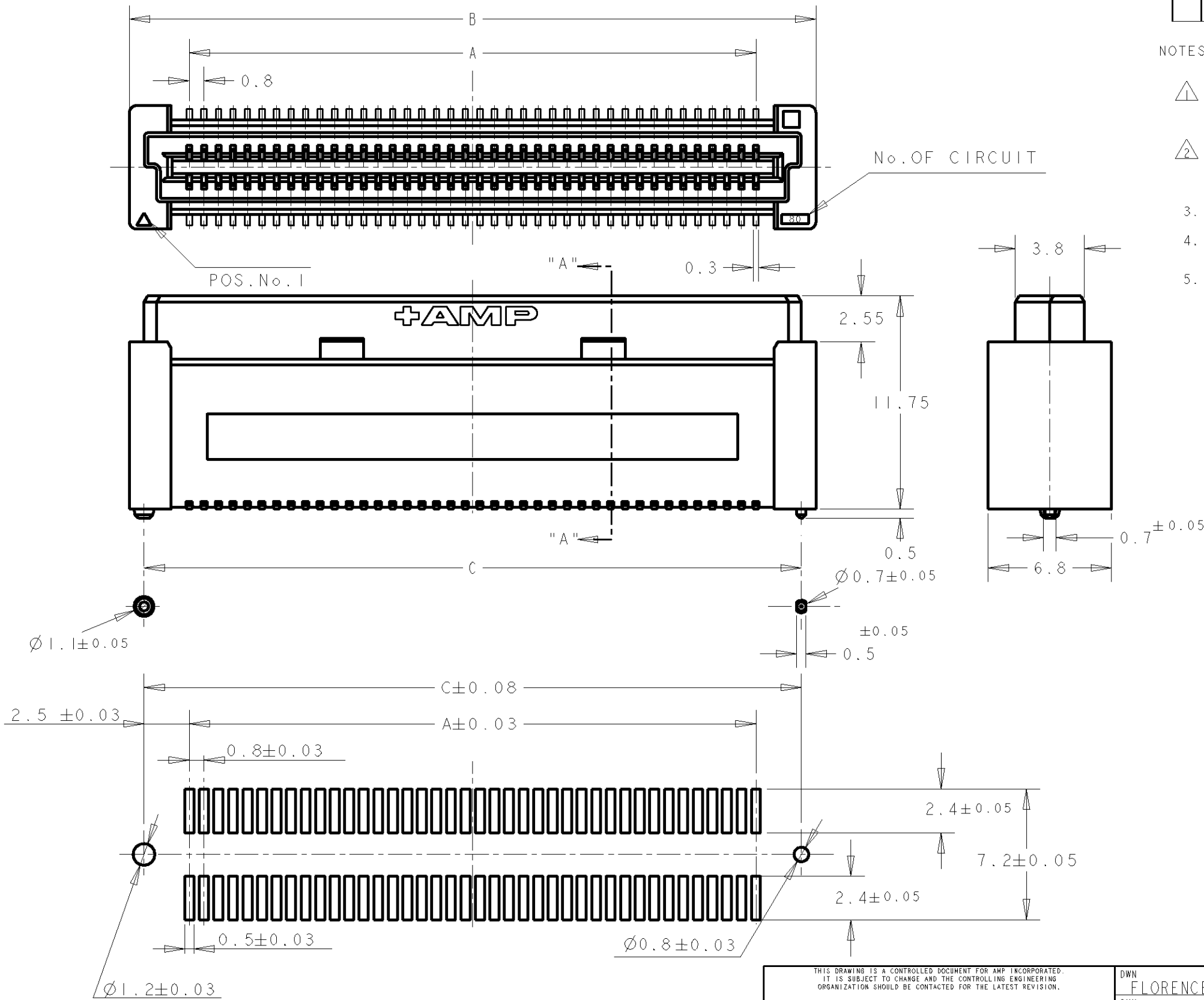


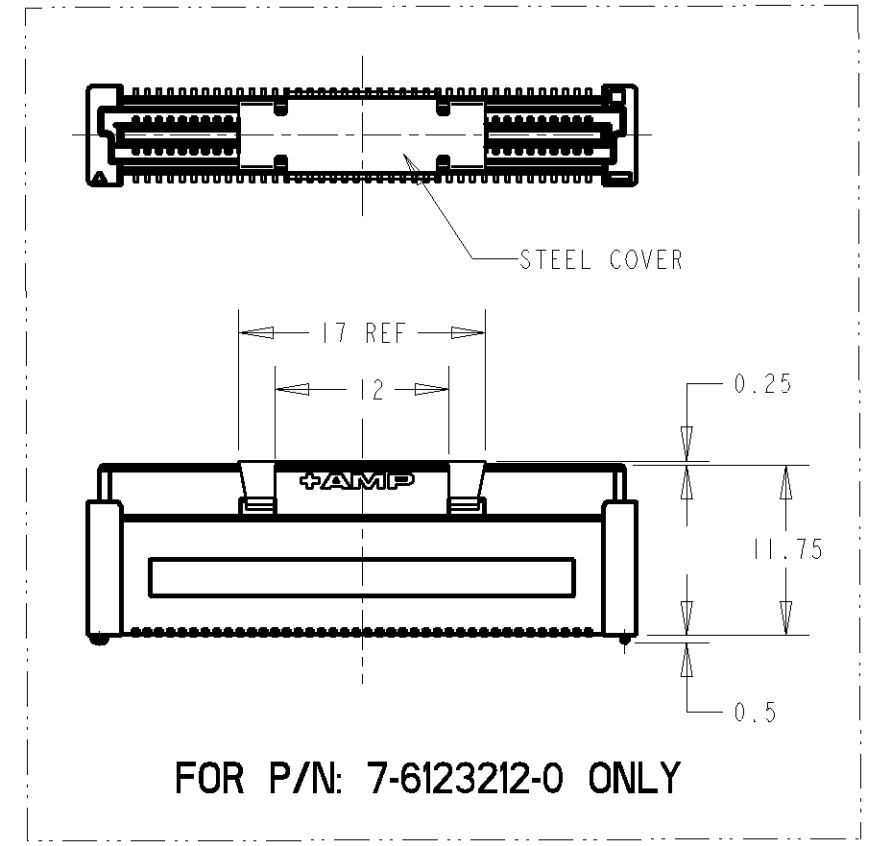
THIS DRAWING IS UNPUBLISHED. RELEASED FOR PUBLICATION .19  
 © COPYRIGHT 19 BY AMP INCORPORATED. ALL RIGHTS RESERVED.

LOC	DIST	REVISIONS			
P	LTR	DESCRIPTION	DATE	DWN	APVD
DY	-	01 REVISED PER ECR-06-029208	14DEC06	SYJ	LSF



NOTES:

- 1. MATERIAL: HOUSING: L.C.P. (HIGH TEMP. THERMOPLASTIC) UL 94V-0, NATURAL. CONTACT: BERYLIUM COPPER.
- 2. FINISH: CONTACT AREA: 0.00076 MIN GOLD ON 0.0013 MIN ALL OVER NICKEL. SOLDERING AREA: 0.002 MIN MATTE-TIN
- 3. POSITION SERIES: SEE TABLE. (SHEET 2)
- 4. CONN STACK HEIGHT COMBINE OF PLUG "Y" H VS REC "X" H. STACK HEIGHT = Y + X - 5
- 5. FOR STEEL COVER PICK AND PLACE VERSION, DESCRIPTION PRINTING ON TUBE IS: "REC ASS'Y (H=13mm), W/ STEEL COVER, 0.8mm BTB STACKING CONN"



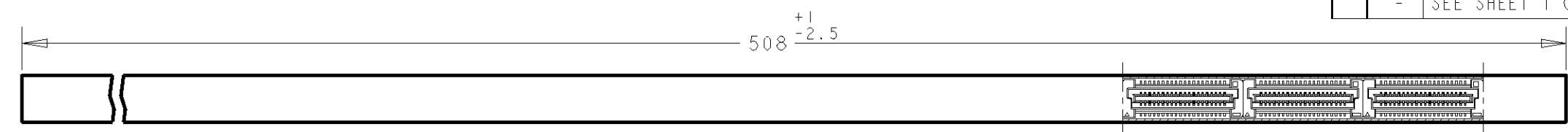
P/N SEE SHEET 2 OF 2

RECOMMENDED P.C. BOARD LAYOUT

THIS DRAWING IS A CONTROLLED DOCUMENT FOR AMP INCORPORATED. IT IS SUBJECT TO CHANGE AND THE CONTROLLING ENGINEERING ORGANIZATION SHOULD BE CONTACTED FOR THE LATEST REVISION.		DWN FLORENCE TAN 23AUG04	<b>tyco</b> Electronics		Tyco Electronics (Singapore) Pte. Ltd.
DIMENSIONS: mm		CHK ERIC TNG	NAME REC ASSY		
TOLERANCES UNLESS OTHERWISE SPECIFIED: 0 PLC ± 1 PLC ±0.30 2 PLC ±0.25 3 PLC ±0.20 4 PLC ± ANGLES ±3°		APVD SF J FONG	FOR FH 0.8 B-T-B CONNECTOR 13H 0.5 BOSS LENGTH (0.76um GOLD)		
MATERIAL		PRODUCT SPEC 108-5390	SIZE A3	CAGE CODE 00779	DRAWING NO C-6123212
FINISH		APPLICATION SPEC 114-5254	SCALE 4:1		SHEET 1 OF 2
1		WEIGHT -	REV 01		
		CUSTOMER DRAWING			

THIS DRAWING IS UNPUBLISHED. RELEASED FOR PUBLICATION .19 .  
 © COPYRIGHT 19 BY AMP INCORPORATED. ALL RIGHTS RESERVED.

LOC	DIST	REVISIONS					
DY	-	P	LTR	DESCRIPTION	DATE	DWN	APVD
				- SEE SHEET 1 OF 2			



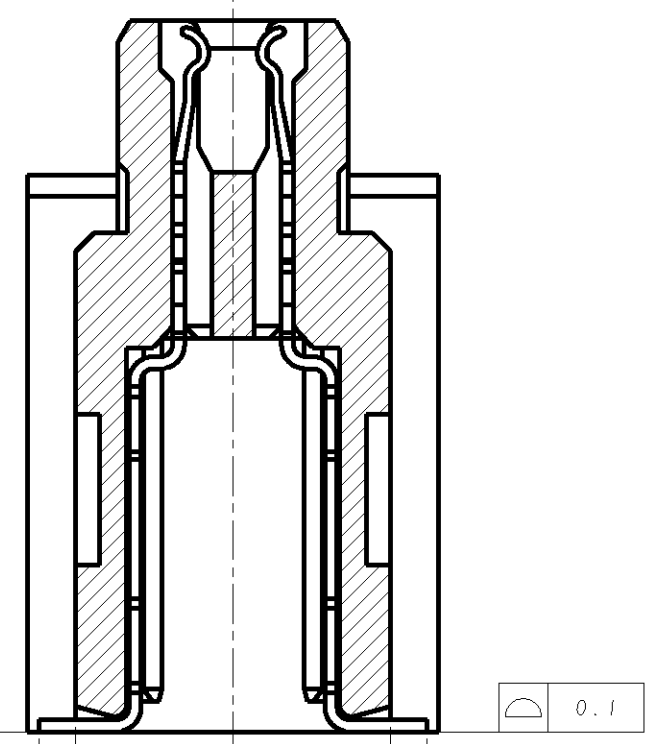
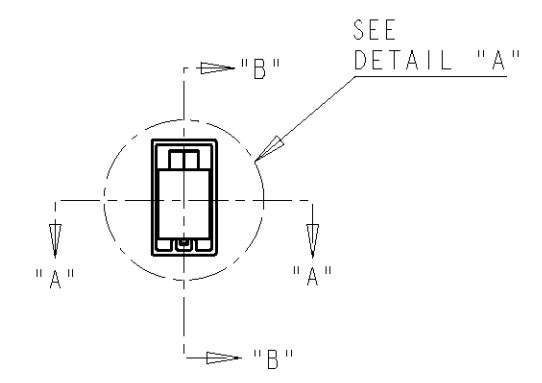
REFERENCE PICTURE OF TUBE PACK (WITHOUT STEEL COVER VERSION)

SECT "A" - "A"

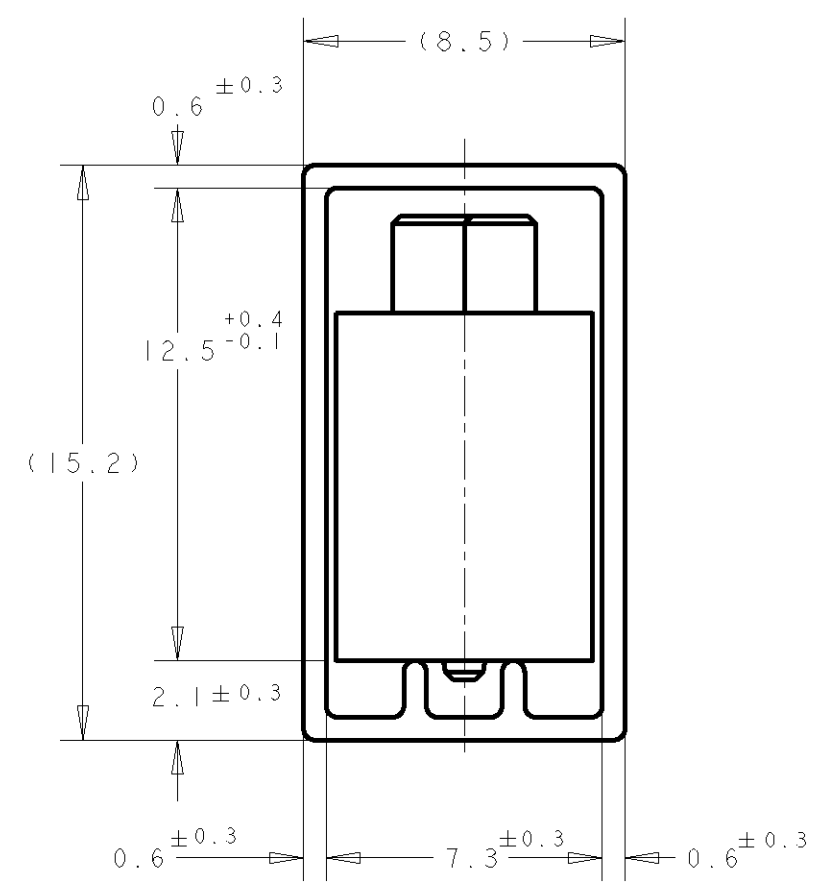


REC ASS'Y (H=13mm), 0.8mm BTB STACKING CONN

SECT "B" - "B"



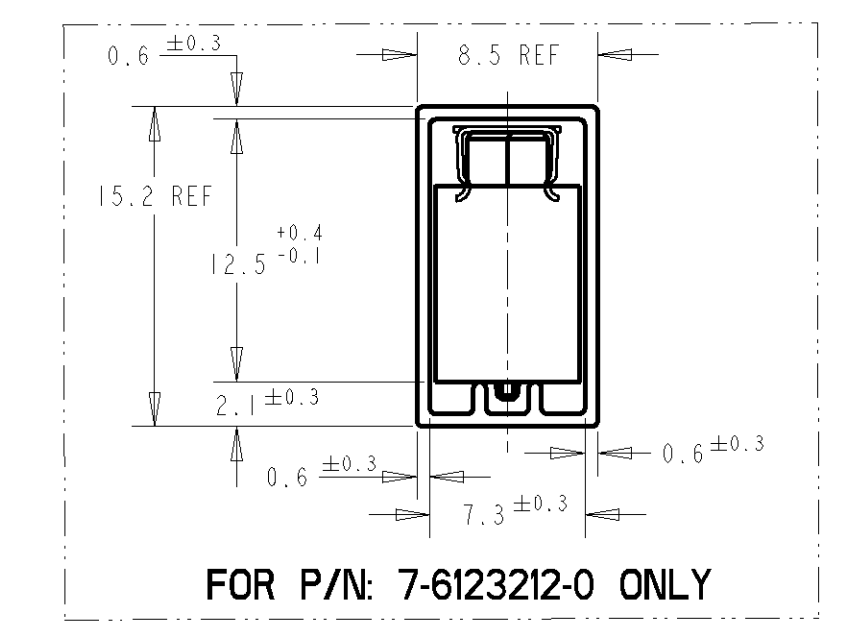
SECT "A" - "A"  
(SCALE: 8-1)



DETAIL "A"  
(SCALE 5-1)



WITH STEEL COVER	AVAILABLE	84.20	85.80	79.20	200	7-	-0
		84.20	85.80	79.20	200	6-	-0
		76.20	77.80	71.20	180	5-	-9
		68.20	69.80	63.20	160	5-	-8
		60.20	61.80	55.20	140	5-	-6
		52.20	53.80	47.20	120	5-	-5
		44.20	45.80	39.20	100	5-	-4
		36.20	37.80	31.20	80	5-	-3
		28.20	29.80	23.20	60	5-	-2
20.20	21.80	15.20	40	5-6123212-1			
REMARKS	STATUS	C	B	A	POS.	PART No.	



FOR P/N: 7-6123212-0 ONLY

THIS DRAWING IS A CONTROLLED DOCUMENT FOR AMP INCORPORATED. IT IS SUBJECT TO CHANGE AND THE CONTROLLING ENGINEERING ORGANIZATION SHOULD BE CONTACTED FOR THE LATEST REVISION.

DIMENSIONS: mm	TOLERANCES UNLESS OTHERWISE SPECIFIED:	DWN 16SEP04 FLORENCE TAN	<b>tyco Electronics</b> Tyco Electronics (Singapore) Pte. Ltd.
		CHK ERIC TNG	
		APVD SF J FONG	NAME REC ASSY
		PRODUCT SPEC 108-5390	FOR FH 0.8 B-T-B CONNECTOR 13H
		APPLICATION SPEC 114-5254	0.5 BOSS LENGTH (0.76um GOLD)
MATERIAL	FINISH	WEIGHT	SIZE A3
			CAGE CODE 00779
			DRAWING NO C-6123212
			SCALE 4:1
			SHEET 2 OF 2
			REV 01

CUSTOMER DRAWING