

NOTE:

1. MATERIAL :

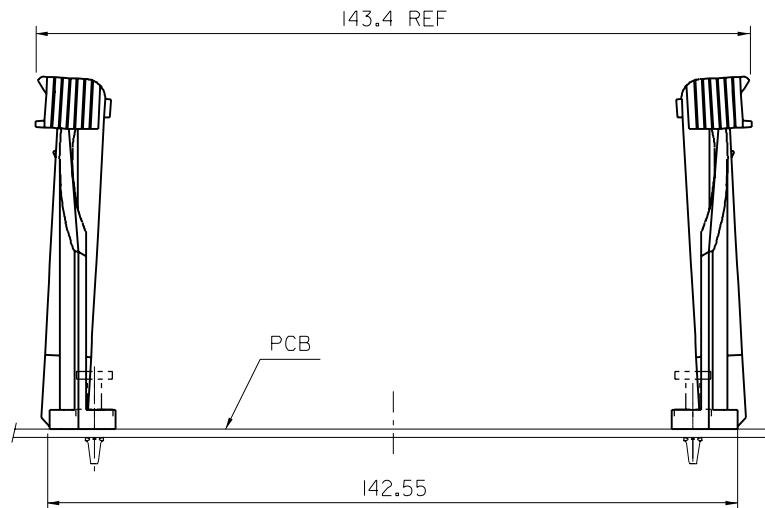
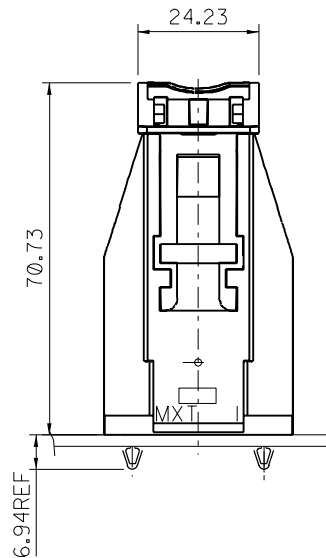
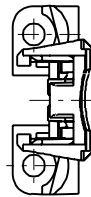
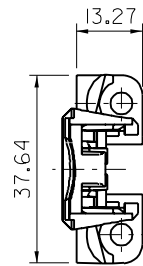
HOUSING : POLYCARBONATE COLOR : BLACK

FASTENER PIN : NYLON

FASTENER BODY : NYLON

2. PRODUCT SPECIFICATION : NONE.

3. SEE SHEET 2 FOR PC BOARD PATTERN AND ISOMETRIC ASSEMBLY VIEW.



2	A
1	A

RTM  
 T1999-0142  
 SSHIN '98/11/26  
 RYANG '98/11/27  
 MEGA '98/11/27

0  
 0

1:1

SSHIN '98/8/03

SALES DRAWING OF  
UNIVERSAL RETENTION MODULE  
PLASTIC FASTENER

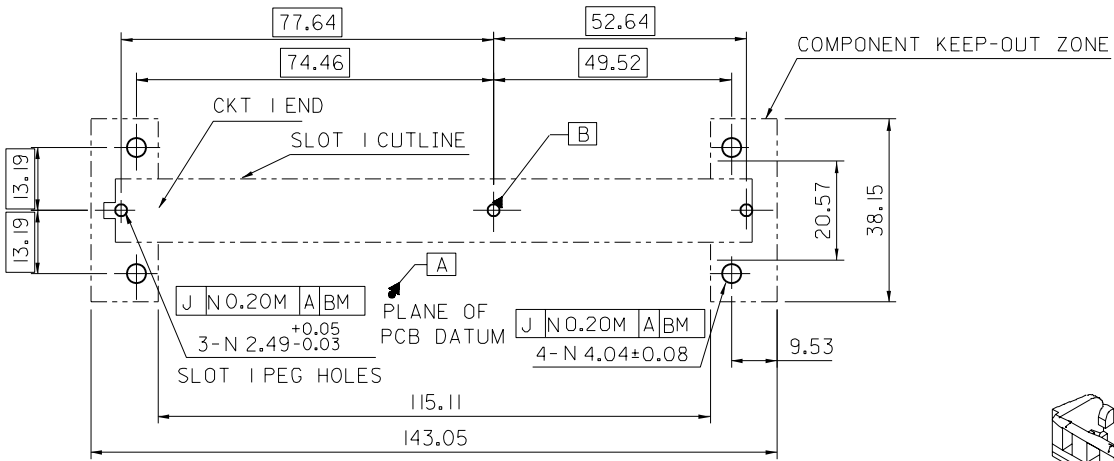
ENG. NO. SEE CHART

EDP NO.

SIMILAR ITEM

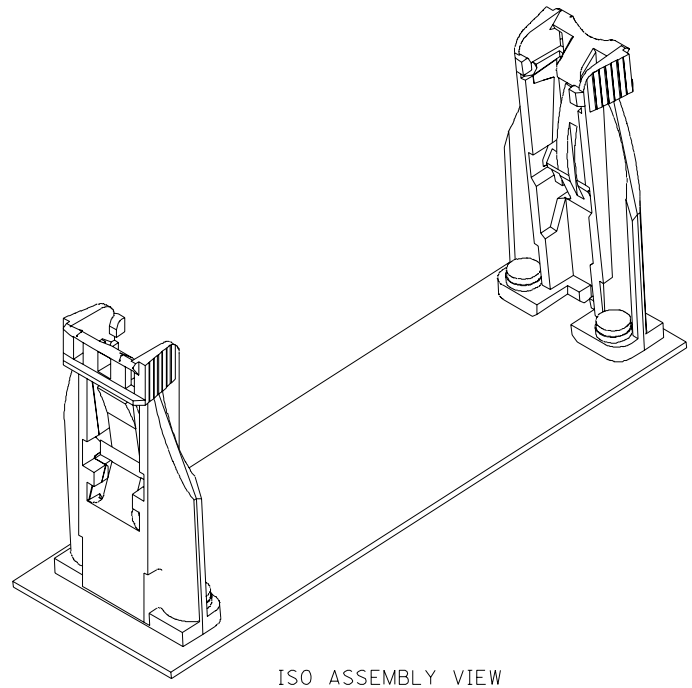
CADFILE NO. S6721002.S02

DO NOT SCALE DRAWING



RECOMMENDED PCB LAYOUT  
CONNECTOR SIDE

MATERIAL NUMBER	PACKING STYLE
67210-0006	INDIVIDUAL BAG (2 PCS/BAG)
67210-1006	BULK BAG (40 PCS/BAG)



ISO ASSEMBLY VIEW

RTM EC NO. T1999-0142 DRWN: SSHIN '98/11/26 CHK: RYANG '98/11/27 APPR: MEGA '98/11/27	QUALITY SYMBOLS MAJOR $\blacktriangledown = 0$ CRITICAL $\blacktriangledown/c = 0$	GENERAL TOLERANCES: (UNLESS SPECIFIED)		SCALE 1:1	DESIGN UNITS <input checked="" type="checkbox"/> mm <input type="checkbox"/> INCH	DIMENSIONS: <input type="checkbox"/> mm <input type="checkbox"/> INCH <input type="checkbox"/> mm <input type="checkbox"/> mm ONLY	SHT REV REVISE ON CAD ONLY	
		4 PLACES $\pm 0.25$ $\pm 0.10$ 3 PLACES $\pm 0.25$ $\pm 0.10$ 2 PLACES $\pm 0.25$ $\pm 0.10$ 1 PLACE $\pm 0.25$ $\pm 0.10$	DRAWN BY & DATE SSHIN '98/8/03 CHECKED BY & DATE	TITLE: SALES DRAWING OF UNIVERSAL RETENTION MODULE PLASTIC FASTENER				
A	REV	DRAFT WHERE APPLICABLE MUST REMAIN WITHIN DIMENSIONS		APPROVED BY & DATE	CAD FILENAME S6721002.S02	MATERIAL NO. SEE CHART	DRAWING NO. SD-67210-002	SHEET NO. 2
THIS DRAWING CONTAINS INFORMATION THAT IS PROPRIETARY TO MOLEX INCORPORATED AND SHOULD NOT BE USED WITHOUT WRITTEN PERMISSION.								SIZE A3