

4

3

2

1

THIS DRAWING IS UNPUBLISHED.

RELEASED FOR PUBLICATION

- . - .

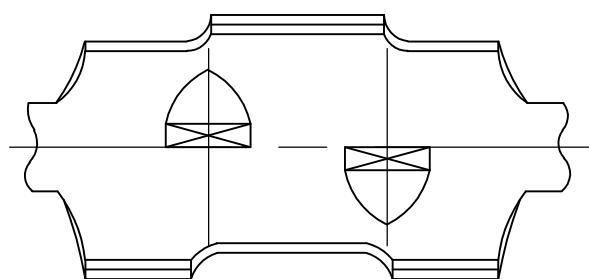
© COPYRIGHT - BY TYCO ELECTRONICS CORPORATION.

ALL RIGHTS RESERVED.

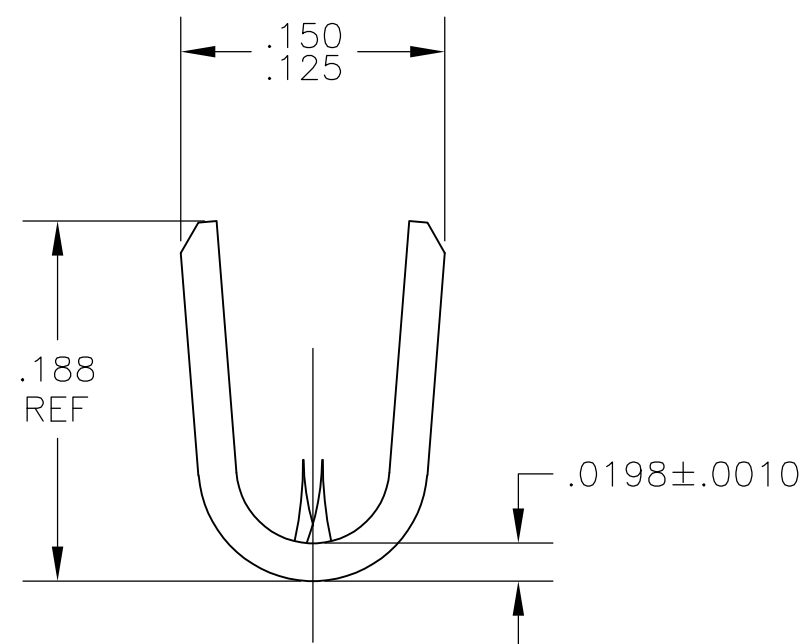
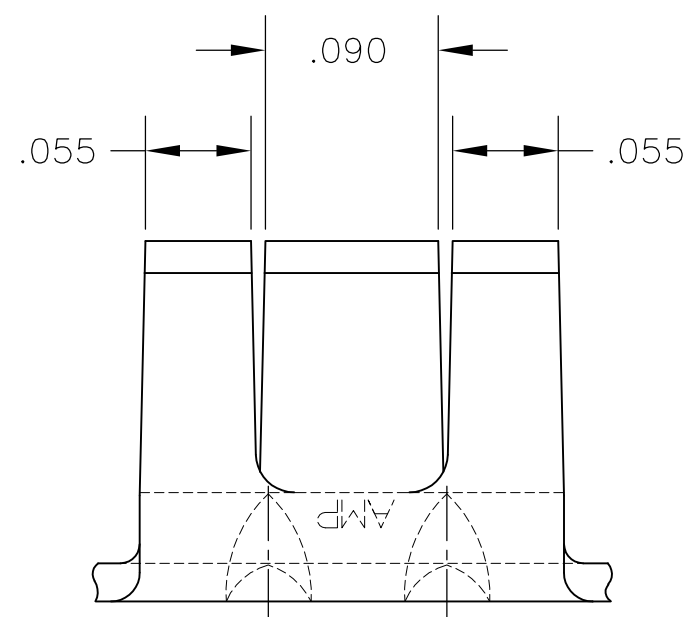
LOC  
AFDIST  
50

REVISIONS

P	LTR	DESCRIPTION	DATE	DWN	APVD
	B2	REVISED PER ECR-08-010099	30APR08	DML	DML



- 1 PRODUCT PROVIDED IN STRIP FORM ON REELS; BREAKS MAY BE PRESENT.
- 2 WIRE RANGE: #20 TO #16 AWG
- 3 INSULATION RANGE: .070 - .090 DIA.



40771

PART NO

THIS DRAWING IS A CONTROLLED DOCUMENT.

DWN  
RAGHAVENDRA 05JUL07CHK  
G.D.PORTA 05JUL07APVD  
G.D.PORTA 05JUL07

PRODUCT SPEC

APPLICATION SPEC

WEIGHT

CUSTOMER DRAWING

Tyco Electronics Corporation  
Harrisburg, PA 17105-3608

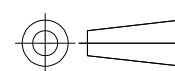
NAME  
SPLICE  
INSULATION PIERCING

SIZE  
A3

CAGE CODE  
00779

DRAWING NO  
G-40771

RESTRICTED TO  
-

DIMENSIONS:  
INCHESTOLERANCES UNLESS  
OTHERWISE SPECIFIED:

0 PLC	± -
1 PLC	± -
2 PLC	± -
3 PLC	± .010
4 PLC	± -
ANGLES	± -

MATERIAL

BRASS

FINISH

TIN

SCALE

10:1

SHEET

1 OF 1

REV

B2