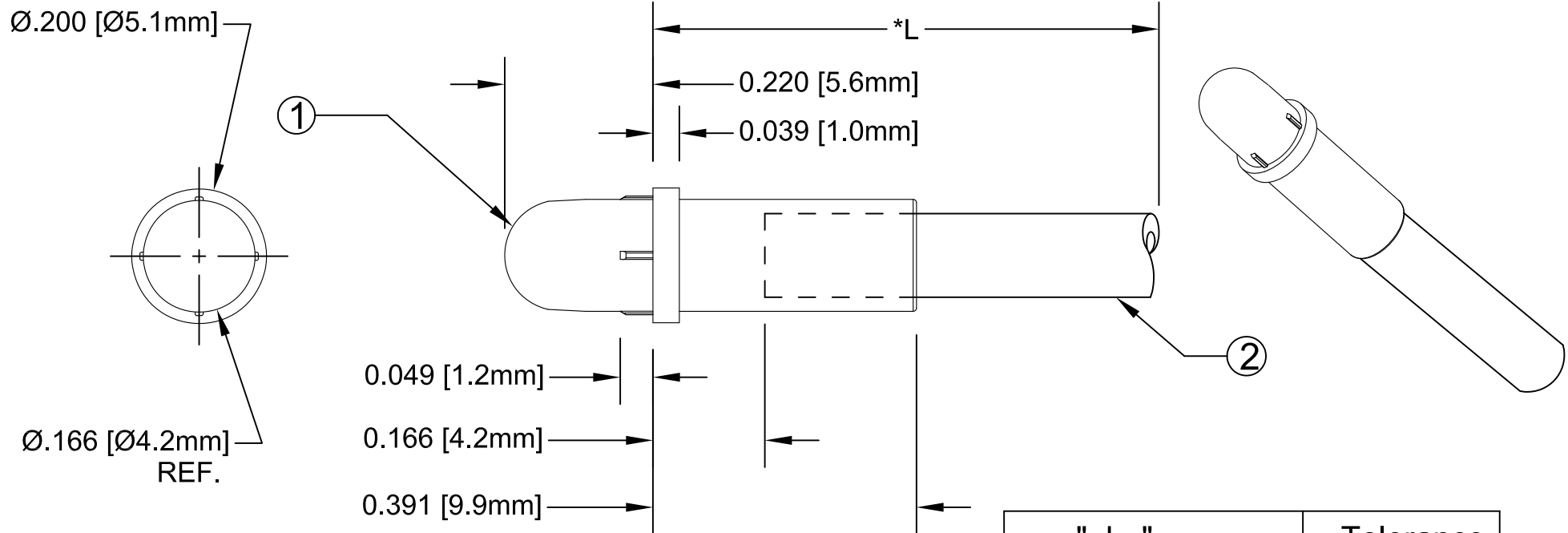


ITEM	Q'TY	PART NUMBER	PART DESCRIPTION
1	1	FLP-P4-D	LENS CAP, FLEXIBLE LIGHT-PIPE, DOME
2	1	FLPS2031-X.XXX	2mm LIGHT PIPE CABLE, CUT LENGTH IN INCHES

REV.	DESCRIPTION	DATE	APPROVED
A	Engineering Release	09/14/09	T. Y.
B	Updated Fiber In BOM	11/16/12	T. Y.



Ø.166 [Ø4.2mm]
REF.

Ø.169^{+0.003}
-0.002

Recommended Mounting Holes

" L "	Tolerance
0.750" ~ 16.000"	±0.050"
16.100" ~ 40.000"	±0.150"
40.100" ~ 80.000"	±0.300"
80.100" ~ 3,940.0"	±0.5%

*NOTE:
ALLOWABLE CUT LENGTH IS UP TO 3 DECIMAL PLACES.

STANDARD TOLERANCE (UNLESS OTHERWISE SPECIFIED)		BIVAR [®]	
DECIMALS	ANGULAR	4 THOMAS, IRVINE, CA. 92618	
.X ±.1	X° ± 1°	TEL: (949) 951-8808 FAX: (949) 951-3974	
.XX ±.02		TITLE: LENS CAP / FLP ASSEMBLY, DOME FACE	
.XXX ±.010		PART NO: FLPD-XX.X	REVISION: B
DESIGNED: Brian Oliver	DATE: 09/14/09	CAGE CODE : 32559	SHEET # 1 OF 1
CHECKED: Fred Jensen	DATE: 09/14/09	CAD GENERATED DOCUMENT, DO NOT MEASURE DRAWING.	