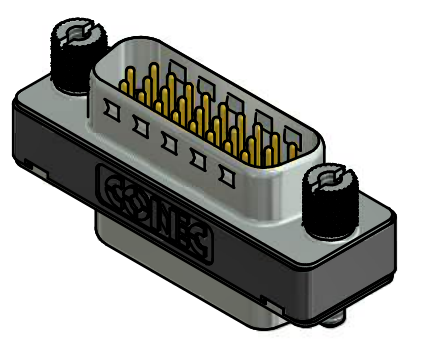


NOTES:

1. METALSHELLS: STEEL; min. 315µm TIN over 40-80µm NICKEL
2. INSULATOR: PBT GF UL 94 V-0; BLACK
3. CONTACTS: COPPER ALLOY; PLATING (SEE PART NO):
 - PLEASE ADD A for GOLD FLASH over NICKEL (PREFERRED TYPE)
 - PLEASE ADD B for 20µm HARD GOLD over min. 50µm NICKEL
 - PLEASE ADD C for 30µm HARD GOLD over min. 50µm NICKEL
4. THREADED INSERTS: COPPER ALLOY; min 200µm TIN over 80µm NICKEL
5. JACK SCREWS: COPPER ALLOY; NICKEL PLATED
6. CAPACITANCE: 830pF ± 20%
7. DIELECTRIC WITHSTANDING VOLTAGE: 300 VDC
8. MAXIMUM TORQUE VALUE FOR THREAD: 6 in.LB
9. CONNECTOR IS PART MARKED: 243□13870X CONEC ABC (see note 3)



RoHS compliant

THIS DRAWING MAY NOT BE COPIED OR REPRODUCED IN ANY WAY, AND MAY NOT BE PASSED ON TO A THIRD PARTY WITHOUT WRITTEN PERMISSION. OWNERSHIP AND COPYRIGHT OF CONEC GmbH DO NOT ALTER CAD DRAWING BY HAND				tolerance		scale: 2:1 (5:1)	
				dim. in mm		material: see notes	
				date	name	title:	
				drawn 09.02.2015	Heinrich	D-SUB HD LC-FILTER ADAPTER	
				appd. 09.02.2015	Lehmenkühler	26pos. SOCKET / PLUG	
				norm	dwg no:		
				d-old	24K1A1570		
				CONEC [®]		DIN-A3	
rev.	description	date	name			sh: 1	
a	Original			part no: 243□13870X (see note 3)			