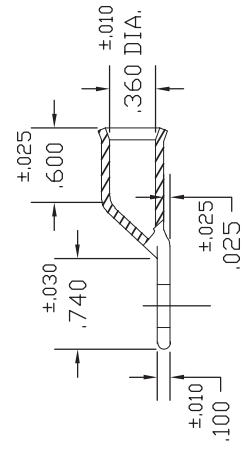
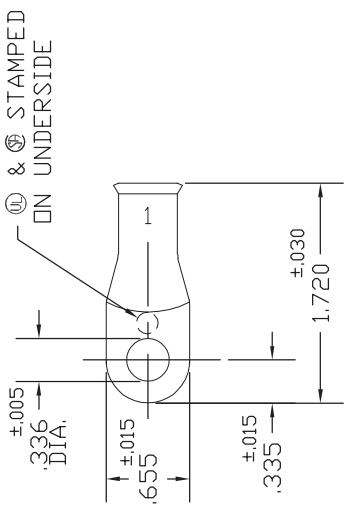


4 3 2 1

LOC	DIST	REVISIONS
G	50	DESCRIPTION
P	LTR	DATE
A2	A2	17OCT06
REVISED PER ECR-06-024472		JR DD

PRELIMINARY - NOT FOR PRODUCTION



PRELIMINARY	---	STANDARD	NICKEL PL.	1527451-4
ACTIVE	1561-01	STANDARD	TIN PLATE	1527451-2
ACTIVE	1561-00	STANDARD	PLAIN	1527451-1
STATUS	AET P/N	PACKAGING	FINISH	PART NUMBER

THIS DRAWING IS A CONTROLLED DOCUMENT.		Tyco Electronics Corporation Harrisburg, PA 17105-3608	
DWN	9/28/00	1 STANDARD TERMINAL	
CHK	9/28/00	RESTRICTED TO	
H.D.F.	9/28/00	A3 00779 C=1527451	
APVD	9/28/00	SIZE	DRAWING NO
TOLERANCES UNLESS OTHERWISE SPECIFIED:		A3	C=1527451
0 PLC	±	CAGE CODE	00779
1 PLC	±	SCALE	1:1
2 PLC	±	SHEET	1 OF 1
3 PLC	±	REV	1
4 PLC	±	REV	A2
RANGES	±-	CUSTOMER DRAWING	
FINISH	-	COPPER ASTM B-152	