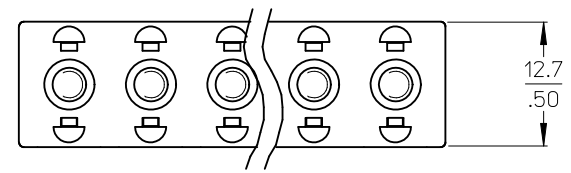
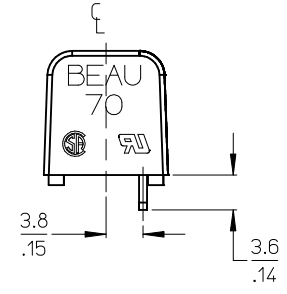
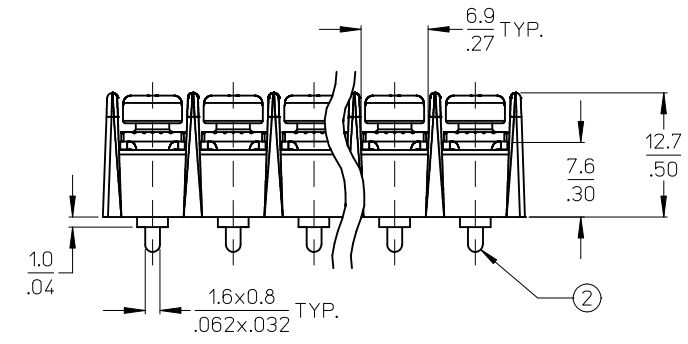
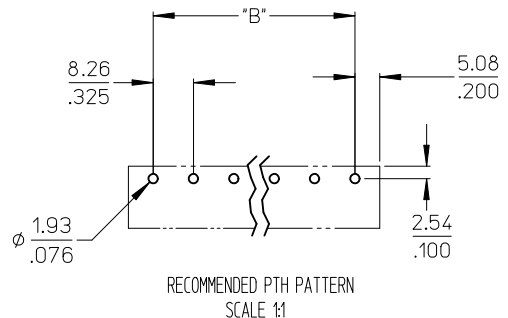
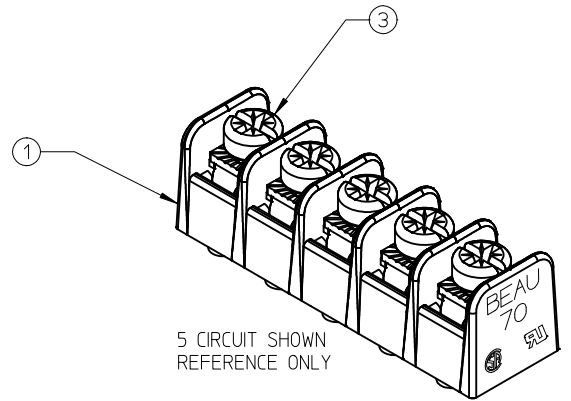
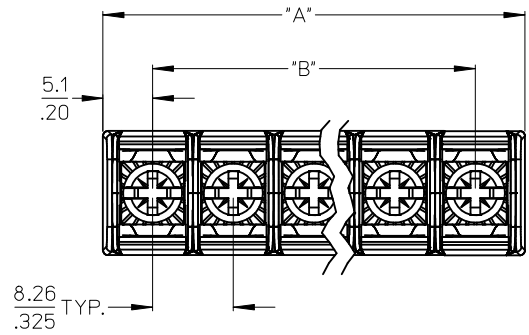


MATERIAL NO.	NO. OF CIRCUITS	DIM. "A"		DIM. "B"	
387090133	12	101.0	3.98	90.8	3.58
387090135	18	150.5	5.93	140.3	5.53



NOTES:

1. MATERIAL: SEE TABLE.
2. FINISHES: SEE TABLE.
3. PRODUCT SPECIFICATION: NOT REQUIRED.
4. "XX" REFERS TO THE QUANTITY OF CIRCUITS.
5. ASSEMBLY IS ROHS COMPLIANT.

ITEM	QTY.	DESCRIPTION	MATERIAL	FINISH
3	XX	SCREW, M3.5 X 0.6, POSI-SLOT, SQ. WASHER	STEEL	ZN, CLEAR CHROMATE
2	XX	TERMINAL PCKT	BRASS	TIN PLATE
1	1	BARRIER, MOLDING	POLYESTER (PBT)	BLACK

REDRAWN/UPDATE
EC NO: WNA2011-0628
DRAWN: JENCINAS 2011/06/21
CHKD: JMACNEIL 2011/06/21
APPR: JMACNEIL 2011/06/23

QUALITY SYMBOLS
▽=0
▽=0

	GENERAL TOLERANCES (UNLESS SPECIFIED)	
	mm	INCH
4 PLACES	± ---	± ---
3 PLACES	± ---	± .005
2 PLACES	± 0.13	± .010
1 PLACE	± 0.3	± ---
ANGULAR ± 2°		

DRAFT WHERE APPLICABLE
MUST REMAIN WITHIN DIMENSIONS

DIMENSION STYLE
MM/IN

DRAWN BY: JENCINAS
DATE: 2011/06/21

CHECKED BY: JMACNEIL
DATE: 2011/06/21

APPROVED BY: JMACNEIL
DATE: 2011/06/23

MATERIAL NO.
SEE CHART

SCALE: 2:1

DESIGN UNITS: INCH

THIRD ANGLE PROJECTION

TITLE: 8.26/.325" SR HIGH TEMP. BTS ASSY. W/ PC, PADS & CAPTIVE SCREW

MOLEX INCORPORATED

DOCUMENT NO. SD-38709-003

SHEET NO. 1 OF 1

THIS DRAWING CONTAINS INFORMATION THAT IS PROPRIETARY TO MOLEX INCORPORATED AND SHOULD NOT BE USED WITHOUT WRITTEN PERMISSION