



Install More Cable In Less Time

Cable and Pull Tape Stay On Wheel

Levels Itself, Strapping Optional

Lightweight

24" Model Weighs 40% Less Than Lightest Aluminum Model

Spring-Loaded Cable Guard Keeps Cable And Pull Tape On Wheel	→ Eliminates Delays Due To Derailing. Pulling Grips Easily Pull Through Opening
Lightweight, Reinforced Polymer Weighs Significantly Less Than Aluminum And Steel Models	→ Reduces Fatigue; One-Man Set-Up
Easy Latching Mechanism	→ Single-Handed Locking And Unlocking
High Strength, Impact Resistant	→ More Durable Than Aluminum
Chemical, UV, Corrosion Resistant	→ Longer Life
Electrically Insulated*	→ For Safety
Hoist Ring Swivels 360°, Rotates 180°	→ Unrestricted Mounting, Maneuverability

Designed To Protect ADSS and Other Jacketed Fiber Cable During Installation

Use with jacketed cables 2" or less diameter; loads not to exceed 1600 lbs.



8" Model For Straight Pulls
24" Model For Set Up, Take Down, Turns

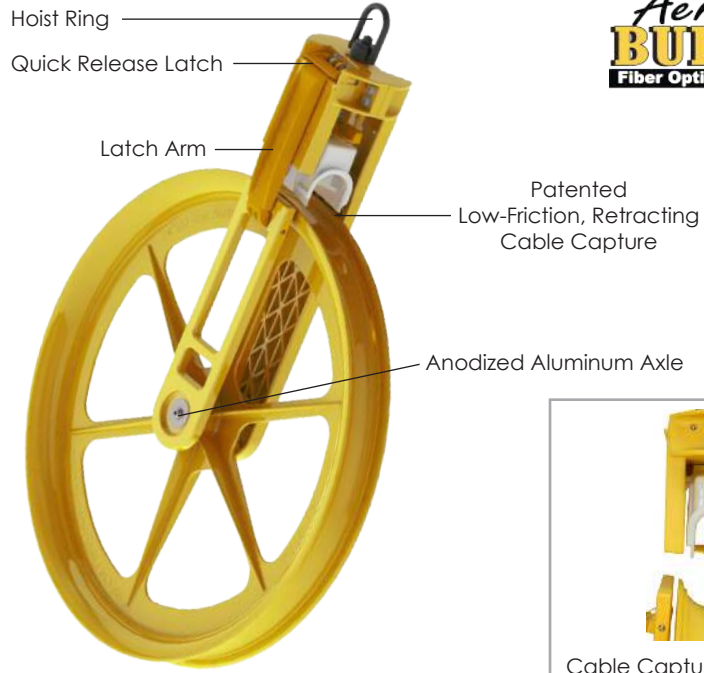


Cable Capture Prevents Pull Tape Or Cable Jumping Edge



Self Levels





Specifications

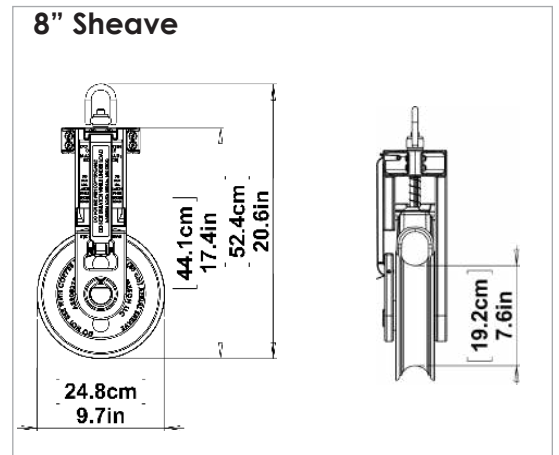
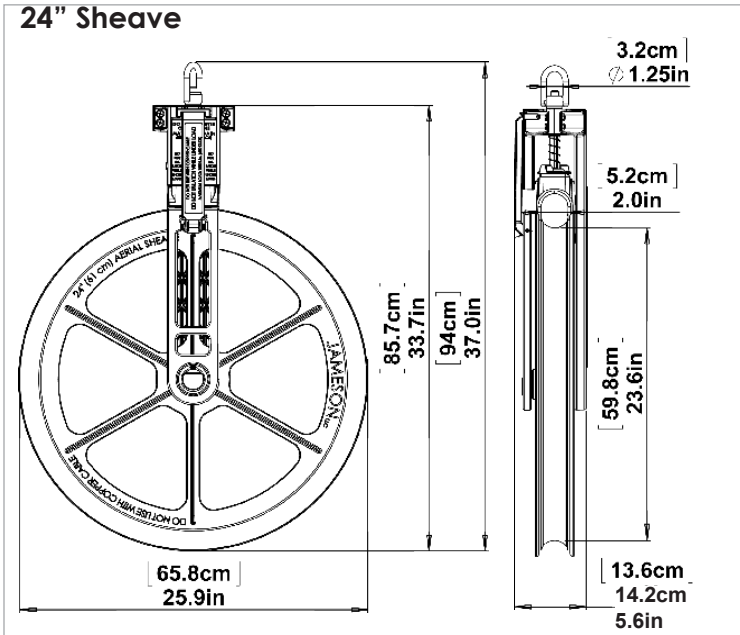
*100 KV/Ft Dielectric Strength of Polymer Components
Stainless Steel Fasteners

24" Aerial Sheave:
Weight: 14 lbs. (6.35 kgs)
Maximum Load Rated for 1,600 lbs.

8" Aerial Sheave:
Weight: 8 lbs (3.63kgs)
Maximum Load Rated for 1,600 lbs.



SHV-8	8" Fiber Install Sheave
SHV-24	24" Fiber Install Sheave
SHV-24-KIT	24" Sheave and Hook Accessory
SHV-HK	Slip Hook Accessory
SHV-SS	Safety Shackle Accessory



See The Aerial Buddy In Action!

