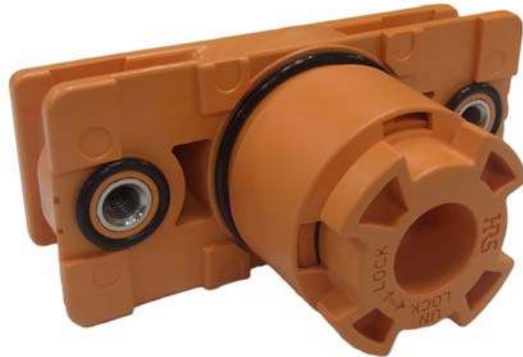




# EM30MSD Series

## Service Plug supporting 200 Amps



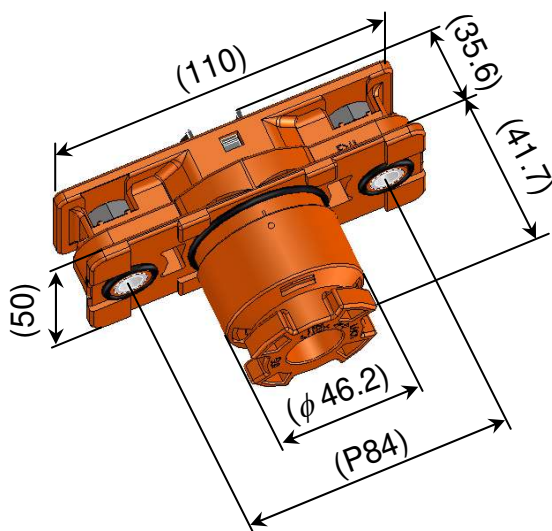
### ◆ Features

1. 200 Amps capability with small size
2. Signal contact with interlocking switch to detect mating status
3. Shock resistant multi-contact & bayonet lock systems
4. IP68\* water resistant
5. Commercially available crimp terminal is applicable
6. Safety design with IP2X finger protection
7. UL, C-UL, TÜV pending
8. RoHS compliant

\*Our test conditions:

No water intrusion, while submerged in 2 meter water depth for 14 days.

### ◆ Dimensions



Ordering Information:

Part No. EM30MSD includes both the plug and the receptacle.

\* Fuse is not included

### ■ Material and Finish

Item	Material	Finish
Housing	PBT	UL94V-0, Orange
Power Contact	Copper alloy	Silver plating
Signal Contact	Copper alloy	Tin plating
Gasket	Silicon rubber	-

### ■ Performance Characteristics

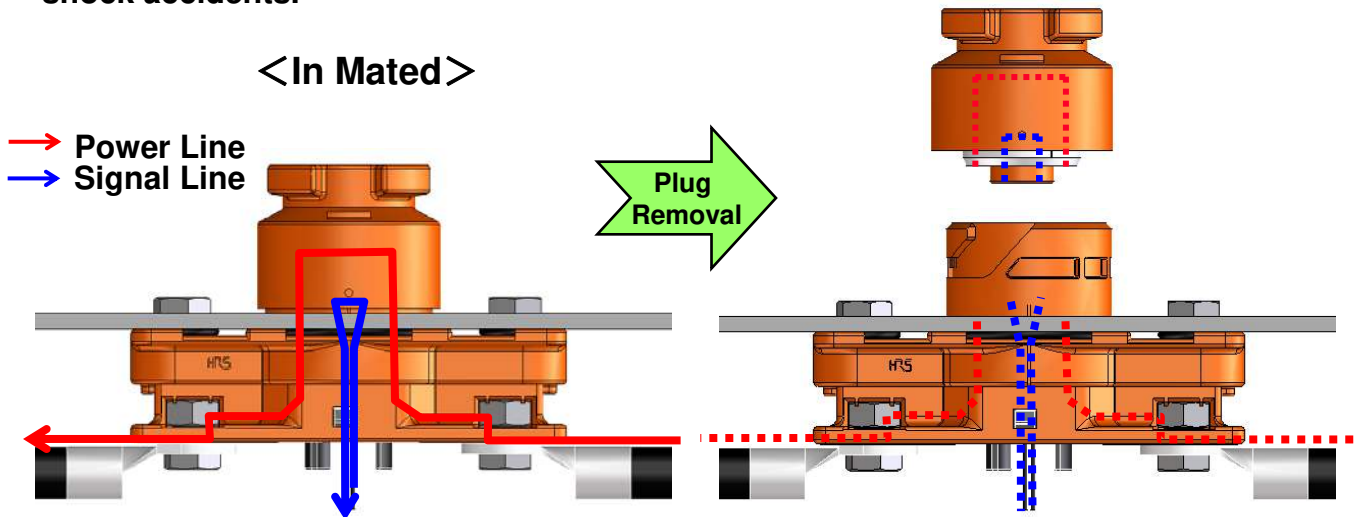
	Power Contact	Signal Contact
Rated Current	200 Amps	1 Amp
Rated Voltage	AC/DC 1500 V	AC/DC 250 V
Contact Resistance	0.5 mΩ Max. (DC 1A)	90 mΩ Max. (DC 1A)
Operating Temp. Range	-40 °C to +105 °C*	
Withstanding Voltage	AC 4500 V, for 1 minute	AC 750 V, for 1 minute
Insulation Resistance	5000 MΩ Min. (DC 500V)	
Durability	50 times (Plug – Receptacle) 30 times (Receptacle – GT8E)	

\* Includes temperature rise caused by current flow.

Specifications herein are subject to change without notice. Contact Hirose for latest specifications, drawings or availabilities.

## ◆ What's "Service Plug"?

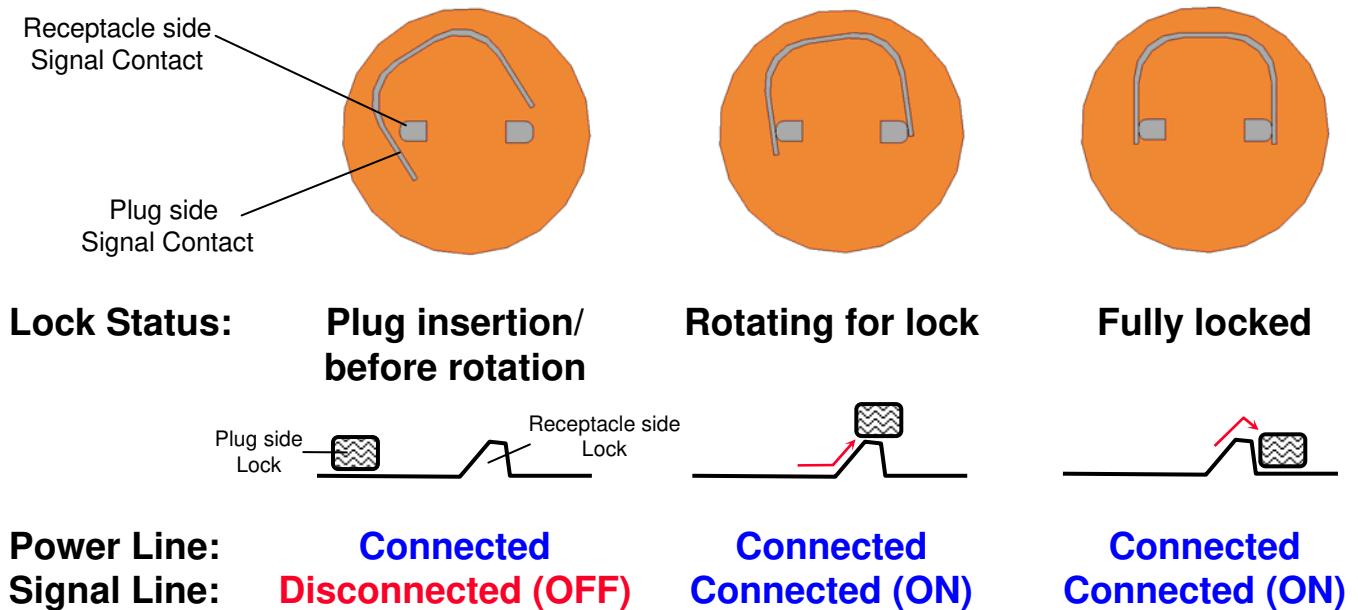
Physically interrupts the electric circuit and protects operators from high voltage shock accidents.



**Plug removal physically interrupts the circuit.**

## ◆ Interlocking Switch\*

By rotating the plug, signal lines are switched ON and OFF. Signal lines are always switched in the "OFF" position prior to the plug removal. This will avoid a hot swapping condition.



**Safety structure to detect the mating status is provided.**

\* In order to activate the interlocking function, circuit design is required at each customer.

Specifications herein are subject to change without notice. Contact Hirose for latest specifications, drawings or availabilities.