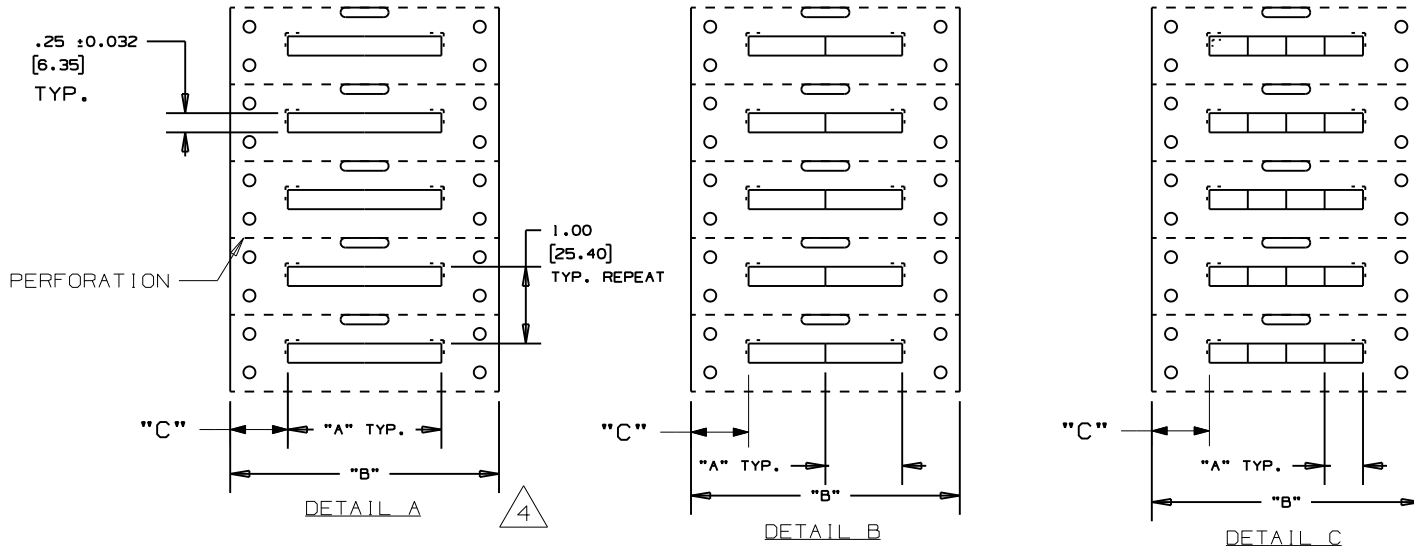
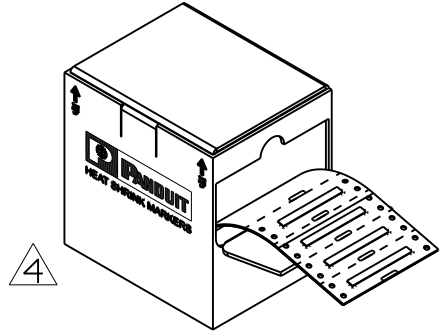


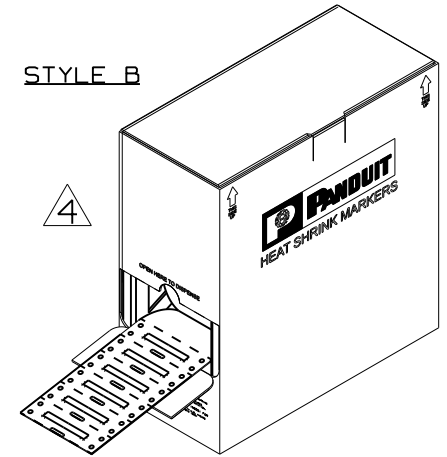
THIS COPY IS PROVIDED ON A RESTRICTED BASIS AND IS NOT TO BE USED IN ANY WAY DETRIMENTAL TO THE INTERESTS OF PANDUIT CORP.



STYLE A



STYLE B



PART NUMBER	SEE DETAIL	"A" ±.062	"B"	"C"	MARKER ACROSS	TUBING COLOR	SEE STYLE
H200X025F1T	A	2.00 [50.80]	3.50 [88.90]	.75 [19.1]	1	WHITE	A
H100X025F1T	B	1.00 [25.40]	3.50 [88.90]	.75 [19.1]	2	WHITE	
H050X025F1T	C	0.50 [12.70]	3.50 [88.90]	.75 [19.1]	4	WHITE	
H150X025F1T	A	1.50 [38.10]	3.50 [88.90]	1.00 [25.4]	1	WHITE	
H075X025F1T	B	0.75 [19.05]	3.50 [88.90]	1.00 [25.4]	2	WHITE	
H200X025F2T	A	2.00 [50.80]	3.50 [88.90]	.75 [19.1]	1	YELLOW	A
H100X025F2T	B	1.00 [25.40]	3.50 [88.90]	.75 [19.1]	2	YELLOW	
H050X025F2T	C	0.50 [12.70]	3.50 [88.90]	.75 [19.1]	4	YELLOW	
H200X025F1T-B	A	2.00 [50.80]	3.50 [88.90]	.75 [19.1]	1	WHITE	B
H100X025F1T-B	B	1.00 [25.40]	3.50 [88.90]	.75 [19.1]	2	WHITE	
H050X025F1T-B	C	0.50 [12.70]	3.50 [88.90]	.75 [19.1]	4	WHITE	
H150X025F1T-B	A	1.50 [38.10]	3.50 [88.90]	1.00 [25.4]	1	WHITE	
H075X025F1T-B	B	0.75 [19.05]	3.50 [88.90]	1.00 [25.4]	2	WHITE	

NOTES:
1. DIMENSION IN [] ARE IN MILLIMETERS.

CAD FILENAME/LAYERS

100923NM_DC_C10216/01E

PANDUIT CORP. TINLEY PARK, ILLINOIS

CUSTOMER DRAWING H***X025F** OPTIMUM
COMPUTER PRINTABLE HEAT SHRINK MARKERS

UNLESS OTHERWISE SPECIFIED,
DIMENSIONAL TOLERANCES ARE:
(.X) ± .12 (XXX) ± .020
(.XX) ± .062 ANGLES ±

UNLESS OTHERWISE SPECIFIED,
ALL DIMENSIONS ARE GIVEN
IN INCHES, THIRD ANGLE PROJECTION.

VOID

(.XX) ± .032 WAS (.XX) ± .015 GMUHS WAS GMHS

REVISED VIEW OF BOX, TOL. AND NOTE 1 & 2.

DRAWING RELEASE.

DRAWN BY RVU

MAT'L:

DATE 9-29-04

HEATSHRINK
TUBING GMHS31,
3.5 WIDE LINER

SCALE

NTS

DRAWING NO.

C10216

DWG

SIZE

REV DATE BY CHK

DESCRIPTION

ECN - R

CUST

SUP

GMBH

CHK'D