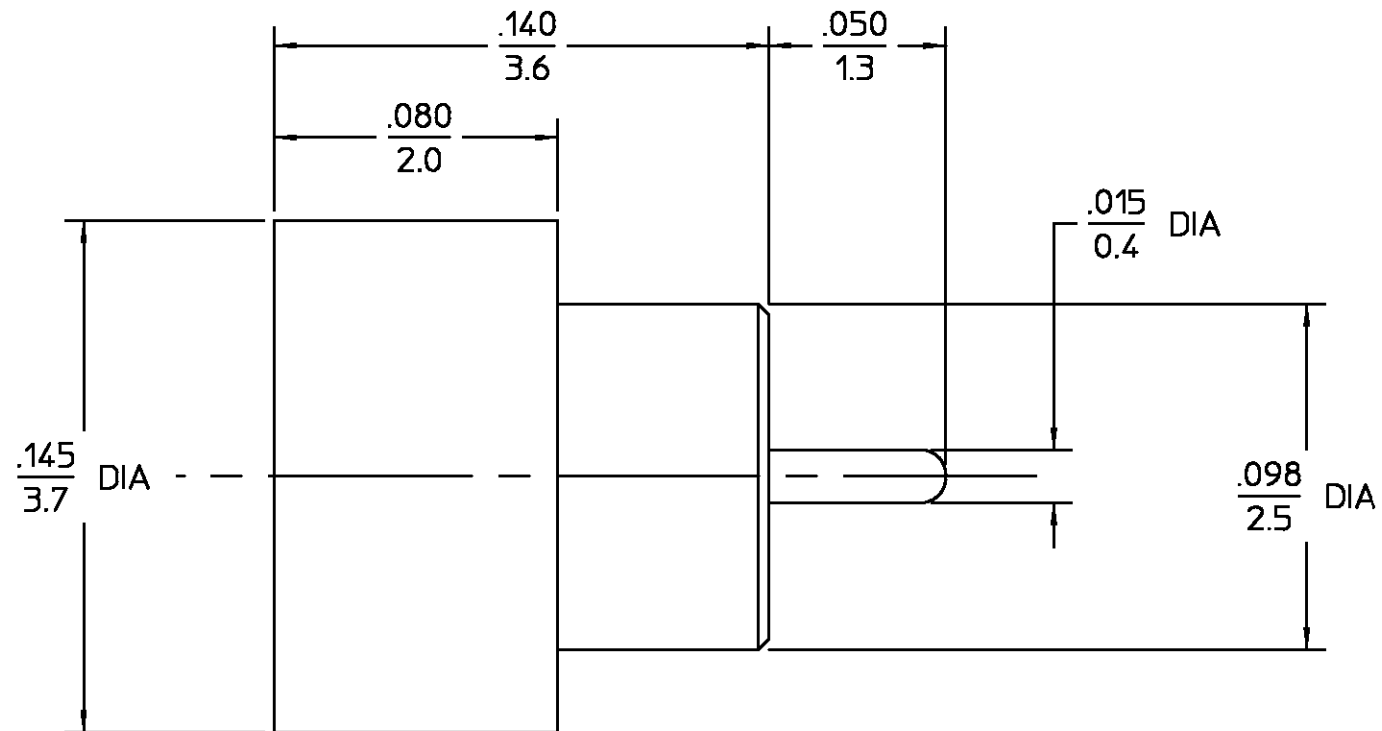
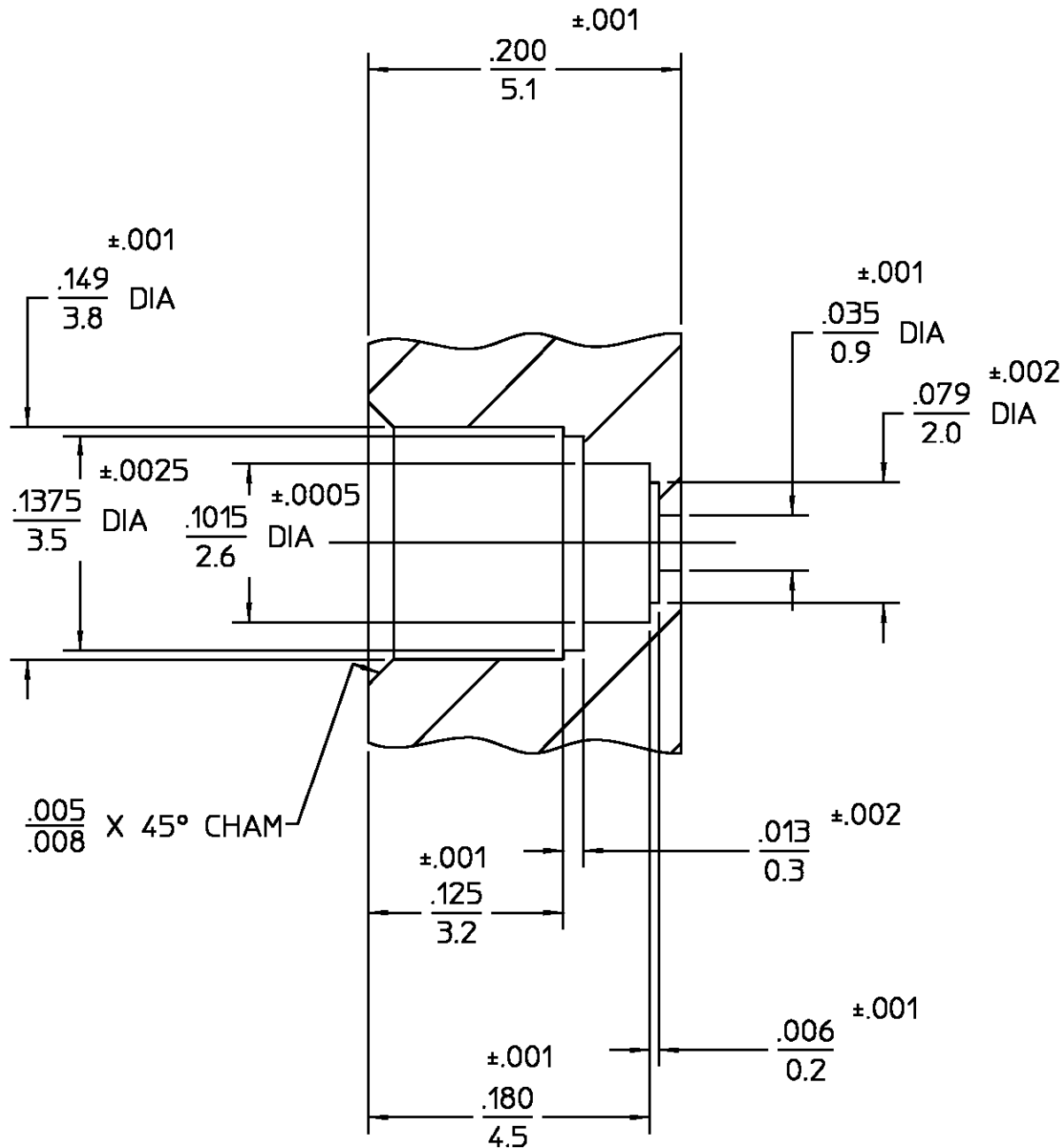


REVISIONS			
REV	DESCRIPTION	DATE	APPROVED
A1	REVISED PER ECO-17-005132	20OCT2017	RS



RECOMMENDED MOUNTING HOLE

**OBSOLETE**

.XXX = in  
XX.X = mm

CONTACT EXT HOUSING	IRON NICKEL COBALT SEALING ALLOY (KOVAR) PER ASTM F15-78	GOLD PLATE PER MIL-G-45204
DIELECTRIC	CORNING GLASS 7070	N/A
COMPONENT	MATERIAL	FINISH
UNLESS OTHERWISE SPECIFIED DIMENSIONS ARE IN INCHES TOLERANCE ON		
FRAC.	DEC.	ANGLES
± 1/64	±.005	± °
DRAWN BY <i>RAC</i>	DATE 1/30/95	AMP Incorporated 140 Fourth Avenue Waltham, MA 02451-7599
CHECKED BY <i>RAC</i>	DATE 8/23/95	
APPROVED BY <i>RAC</i>	DATE 8/23/95	
USE ASSY PROCEDURE	TITLE OSMP SOLDER-IN SHROUD LIMITED DETENT	
NO. A.P. N/A	SIZE B	CODE IDENT NO. 26805
	SCALE 20:1	2998-5055-94
		REV A1
		SHEET 1 OF 1

CUSTOMER DRAWING

AMP PART # 1056751-1  
SHEET 1 OF 1 REV A1