



7/16 DIN Male Right Angle to 7/16 DIN Female 4 Hole  
Flange Low PIM Cable 36 Inch Length Using TFT-402-  
LF Coax Times Microwave Components

RF Cable Assemblies Technical Data Sheet

PE3C7997-36

### Configuration

- Connector 1: 7/16 DIN Male Right Angle
- Connector 2: 7/16 DIN Female 4 Hole Flange
- Cable Type: TFT-402-LF

### Features

- Max Frequency 5.8 GHz
- Low PIM: -160 dBc Max
- Shielding Effectivity > 80 dB
- 76% Phase Velocity
- Double Shielded
- FEP Jacket

### Applications

- General Purpose
- Laboratory Use
- Low PIM Applications
- Indoor and Outdoor Use
- Plenum Rated Applications

### Description

Pasternack's PE3C7997-36 7/16 DIN male right angle to 7/16 DIN female 4 hole flange 36 inch cable using TFT-402-LF coax is part of our full line of RF components available for same-day shipping. Pasternack's flexible RF cable assemblies are ideal for applications where tight bends and flexure are required. This Pasternack 7/16 DIN to 7/16 DIN cable assembly has a male to female gender configuration with 50 ohm flexible TFT-402-LF coax. The PE3C7997-36 7/16 DIN male to 7/16 DIN female cable assembly operates to 5.8 GHz. Our low PIM design also offers excellent passive intermodulation performance with PIM levels better than -160 dBc. The right angle 7/16 DIN interface on the TFT-402-LF cable allows for easier connections in tight spaces. Our RF cable assembly with 7/16 DIN 4 hole flange interface allows designers to create external connections on their product enclosures, and can be used in a variety of other rack mount and panel mount applications. The double shielding of this Pasternack cable assembly provides excellent shielding effectiveness of better than 80 dB.

Custom versions of most RF cable assemblies can be built and shipped same day. Custom cable assembly lengths can be obtained by specifying the desired length on the web site at time of order or by contacting a sales representative. Other available RF cable assembly value added services include connector orientation or clocking, heat shrink booting and custom labeling. RF testing can also be performed to document the electrical performance of your cable assembly.

Click the following link (or enter part number in "SEARCH" on website) to obtain additional part information including price, inventory and certifications: [7/16 DIN Male Right Angle to 7/16 DIN Female 4 Hole Flange Low PIM Cable 36 Inch Length Using TFT-402-LF Coax Times Microwave Components PE3C7997-36](#)



7/16 DIN Male Right Angle to 7/16 DIN Female 4 Hole Flange Low PIM Cable 36 Inch Length Using TFT-402-LF Coax Times Microwave Components

RF Cable Assemblies Technical Data Sheet

PE3C7997-36

**Electrical Specifications**

Description	Minimum	Typical	Maximum	Units
Frequency Range	DC		5.8	GHz
VSWR			1.4:1	
Velocity of Propagation		76		%
RF Shielding	80			dB
Passive Intermodulation			-160	dBc
Capacitance		26.7 [87.6]		pF/ft [pF/m]

**Specifications by Frequency**

Description	F1	F2	F3	F4	F5	Units
Frequency	0.25	0.5	1	2.5	5.8	GHz
Insertion Loss (Typ.)	0.43	0.46	0.55	0.82	1.12	dB

**Electrical Specification Notes:**

The Insertion Loss data above is based on the performance specifications of the coax and connectors used in this assembly. The Insertion Loss includes an estimated insertion loss of 0.12 dB for the right angle connector and 0.1 dB for the straight connector.

**Mechanical Specifications**

**Cable Assembly**

Length\* 36 in [914.4 mm]  
 Diameter 1.26 in [32 mm]

**Cable**

Cable Type TFT-402-LF  
 Impedance 50 Ohms  
 Inner Conductor Type Solid  
 Inner Conductor Material and Plating Copper  
 Dielectric Type PTFE  
 Number of Shields 2  
 Jacket Material FEP, Blue  
 Jacket Diameter 0.16 in [4.06 mm]

One Time Minimum Bend Radius 0.75 in [19.05 mm]

Click the following link (or enter part number in "SEARCH" on website) to obtain additional part information including price, inventory and certifications: [7/16 DIN Male Right Angle to 7/16 DIN Female 4 Hole Flange Low PIM Cable 36 Inch Length Using TFT-402-LF Coax Times Microwave Components PE3C7997-36](#)



7/16 DIN Male Right Angle to 7/16 DIN Female 4 Hole  
Flange Low PIM Cable 36 Inch Length Using TFT-402-  
LF Coax Times Microwave Components

RF Cable Assemblies Technical Data Sheet

PE3C7997-36

**Connectors**

Description	Connector 1	Connector 2
Type	7/16 DIN Male Right Angle	7/16 DIN Female 4 Hole Flange
Impedance	50 Ohms	50 Ohms
Contact Material and Plating	Phosphor Bronze, Silver	Brass, Silver
Contact Plating Specification	5 $\mu$ m	5 $\mu$ m
Dielectric Type	PTFE	PTFE
Outer Conductor Material and Plating		Brass, Copper Clad Aluminum
Outer Conductor Plating Specification		3 $\mu$ m
Body Material and Plating	Brass, Copper Clad Aluminum	Brass, Copper Clad Aluminum
Body Plating Specification	3 $\mu$ m	3 $\mu$ m
Coupling Nut Material and Plating	Brass, Copper Clad Aluminum	
Coupling Nut Plating Specification	3 $\mu$ m	
Torque	22.083 ft-lbs [29.95 Nm]	22.083 ft-lbs [29.95 Nm]

**Environmental Specifications**

**Temperature**

Operating Range -55 to +150 deg C

**Compliance Certifications** (see [product page](#) for current document)

**Plotted and Other Data**

Notes:

Click the following link (or enter part number in "SEARCH" on website) to obtain additional part information including price, inventory and certifications: [7/16 DIN Male Right Angle to 7/16 DIN Female 4 Hole Flange Low PIM Cable 36 Inch Length Using TFT-402-LF Coax Times Microwave Components PE3C7997-36](#)



7/16 DIN Male Right Angle to 7/16 DIN Female 4 Hole Flange Low PIM Cable 36 Inch Length Using TFT-402-LF Coax Times Microwave Components

RF Cable Assemblies Technical Data Sheet

PE3C7997-36

**How to Order**

Part Number Configuration:

**PE3C7997**

- **xx**

**uu**

Unit of Measure:  
cm = Centimeters  
<blank> = Inches  
Length  
Base Number

Example: PE3C7997-12 = 12 inches long cable  
PE3C7997-100cm = 100 cm long cable

7/16 DIN Male Right Angle to 7/16 DIN Female 4 Hole Flange Low PIM Cable 36 Inch Length Using TFT-402-LF Coax Times Microwave Components from Pasternack Enterprises has same day shipment for domestic and International orders. Our RF, microwave and millimeter wave products maintain a 99.4% availability and are part of the broadest selection in the industry.

Click the following link (or enter part number in "SEARCH" on website) to obtain additional part information including price, inventory and certifications: [7/16 DIN Male Right Angle to 7/16 DIN Female 4 Hole Flange Low PIM Cable 36 Inch Length Using TFT-402-LF Coax Times Microwave Components PE3C7997-36](https://www.pasternack.com/7-16male-7-16female-tft-402-lf-cable-assembly-pe3c7997-36-p.aspx)

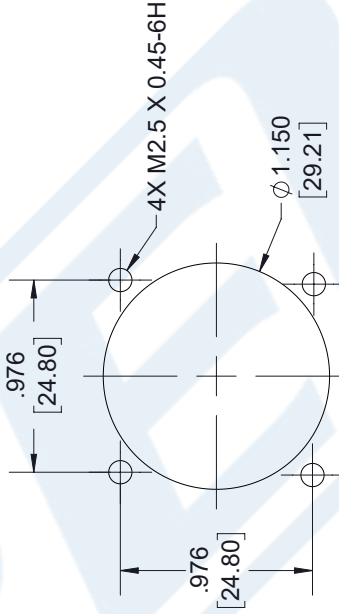
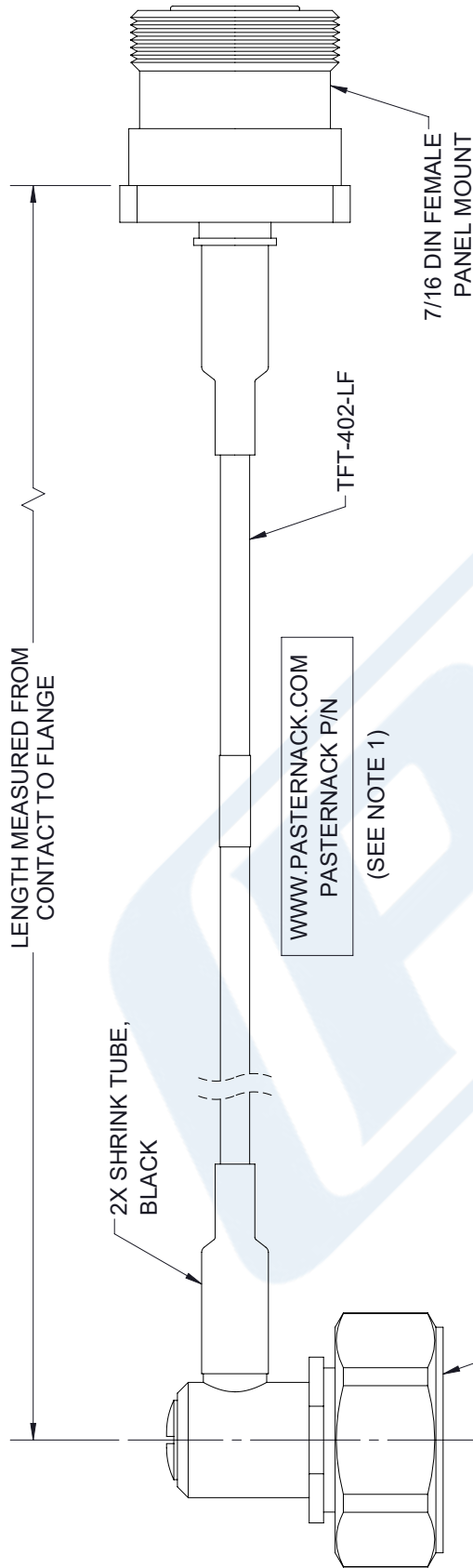
URL: <https://www.pasternack.com/7-16male-7-16female-tft-402-lf-cable-assembly-pe3c7997-36-p.aspx>

The information contained in this document is accurate to the best of our knowledge and representative of the part described herein. It may be necessary to make modifications to the part and/or the documentation of the part, in order to implement improvements. Pasternack reserves the right to make such changes as required. Unless otherwise stated, all specifications are nominal. Pasternack does not make any representation or warranty regarding the suitability of the part described herein for any particular purpose, and Pasternack does not assume any liability arising out of the use of any part or documentation.

# PE3C7997-36 CAD Drawing

7/16 DIN Male Right Angle to 7/16 DIN Female 4 Hole Flange Low PIM Cable  
36 Inch Length Using TFT-402-LF Coax Times Microwave Components

REVISIONS			
REV.	DESCRIPTION	DATE	APPROVED
A	INITIAL RELEASE	4/12/2021	SELLIS



RECOMMENDED  
HOLE PATTERN

UNLESS OTHERWISE SPECIFIED  
LEADING DIMENSIONS ARE INCHES  
DIMENSIONS IN [ ] ARE MILLIMETERS

TOLERANCES:	
.X = ±.2 [5.08]	FRACTIONS ±.1/32
.XX = ±.02 [.51]	ANGLES ± 1°
.XXX = ±.005 [.13]	CABLE LENGTH (L) TOLERANCES:
L ≤ 12 [305]	L ±.12 [305] = +.1 [25] / -0
12 [305] < L ≤ 60 [1524]	L ±.25 [6.35] = +.2 [51] / -0
60 [1524] < L ≤ 120 [3048]	L ±.5 [12.7] = +.4 [102] / -0
120 [3048] < L ≤ 300 [7620]	L ±1.0 [25.4] = +.6 [152] / -0
300 [7620] < L ≤ ∞	L ±5% [152] / -0

ALL DIMENSIONS SHOWN  
ARE FOR REFERENCE ONLY.

NOTES:

1. CABLES 36" AND UNDER HAVE 1 LABEL CENTERED.  
CABLES OVER 36" HAVE 2 LABELS, ONE AT EACH END  
6.0" FROM THE FRONT OF THE CONNECTOR.

THESE COMMODITIES, TECHNOLOGY OR SOFTWARE WERE EXPORTED FROM THE UNITED STATES IN ACCORDANCE WITH THE EXPORT ADMINISTRATION REGULATIONS. DIVERSION CONTRARY TO U.S. LAW PROHIBITED.

<p>Pasternack Enterprises, Inc. P. O. Box 16759, Irvine, CA 92623. Phone: 1.949.261.1920   1.866.727.8376 Fax: 1.949.261.7451 Website: www.pasternack.com E-mail: sales@pasternack.com</p>	<p>THIRD-ANGLE PROJECTION</p> <p>THE INFORMATION AND DESIGN IN THIS DOCUMENT IS THE PROPERTY OF PASTERNAK CORPORATION. ALL RIGHTS RESERVED.</p> <p>SHEET 1 OF 1</p> <p>SCALE N/A</p>
	<p>REV A</p>
<p>ITEM NO. PE3C7997</p>	<p>SCALE N/A</p>
<p>REV A</p>	<p>SCALE N/A</p>
<p>SIZE A</p>	<p>SCALE N/A</p>
<p>CAGE CODE 53919</p>	<p>SCALE N/A</p>
<p>DRAWN BY DMAY</p>	<p>SCALE N/A</p>