

## SUMMARY



Image is for illustrative purpose only

### # Wires

Coax 1

Series 1S  
Termination type Male solder Coaxial  
IP rating 50  
AWG wire size 0.00 - 0.00  
Cable Ø 2.20 - 3.20 mm  
Status active  
Matching parts [ERA.1S.250.CTL](#)

### Download

[Request a quote](#)  
[Catalog](#)

## TECHNICAL DETAILS

### Mechanics

Shell Style/Model FFA\*: Straight plug, cable collet  
Keying Circular, male  
Housing Material Brass (chrome plated [SAE AMS 2460]) shell and collet nut, nickel plated [SAE AMS QQ N 290] brass latch sleeve and mid pieces  
Weight 14.53 g

### Performance

Configuration 1S.250 : 1 Coax (50 Ohm)  
Insulator T: PTFE  
Rated Current 12 Amps

### Specifications

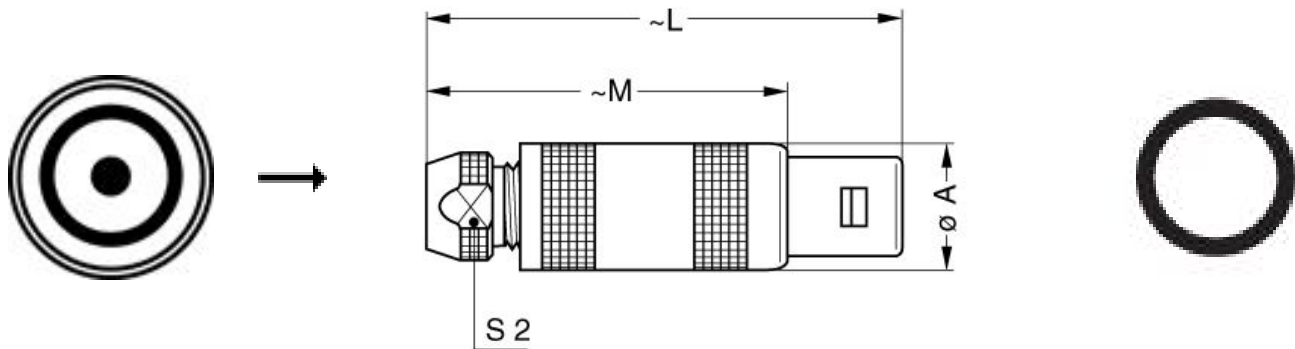
Contact Type: Coaxial 50 Ohm (Solder)  
Contact Dia.: 1.6 mm (0.063in)  
Bucket Dia.: 1.4 mm (0.055in)  
Vtest: 3000 V (AC), 4200 V (DC)  
Impedance: 50 Ohm  
VSWR: 1.01 + 0.23 \* f/GHz  
Cable type: RG 178 B/U, RG 196 A/U, RG 188 A/U, RG 316 B/U, RG 174 A/U, HF-2114, RG 122 /U

LEMO products and services are provided "as is". LEMO makes no warranties or representations with regard to LEMO product & services or use of them, express, implied or statutory, including for accuracy, completeness, or security. The user is fully responsible for his products and applications using LEMO components.

## Others

Endurance (Shell): 5000 mating cycles  
Temp (min / max): -55°C / +250°C  
Humidity (max): <=95% [at 60 deg C / 140 F]  
Vibration: 15 g [10 Hz - 2000 Hz]  
Shock Resistance: 100 g [ 6 ms]  
Climatical Category: 50/175/21  
Shielding (min): 75 dB (10 MHz)  
Shielding (min): 40 dB (1 GHz)  
Salt Spray Corrosion: >144 hr

## DRAWINGS



## Dimensions

|     | A    | L    | M    | S2   |
|-----|------|------|------|------|
| mm. | 12   | 42.5 | 31.5 | 8.5  |
| in. | 0,47 | 1,67 | 1,24 | 0,33 |






## RECOMMENDED BY LEMO

### Tools

Spanner wrench: [DCD.1S.ZZZ.PA085](#)

*LEMO products and services are provided "as is". LEMO makes no warranties or representations with regard to LEMO product & services or use of them, express, implied or statutory, including for accuracy, completeness, or security. The user is fully responsible for his products and applications using LEMO components.*

## Cables

|                    |           |       |  |
|--------------------|-----------|-------|--|
| 17420              | PVC       | Black |    |
| 17450              | COPOLYMER | Black |    |
| 18700              | PTFE      | White |    |
| 18800              | PTFE      | White |  |
| 31600              | PTFE      | Brown |  |
| CCX.50.RG0.58AU14B | FEP       | White |  |
| CCX.50.RG1.74-U25N | PVC       | Black |  |
| CCX.50.RG1.74AU28N | PVC       | Black |  |
| CCX.50.RG1.74AU28N | PVC       | Black |    |
| CCX.50.RG1.74U25N  | PVC       | Black |  |
| CCX.50.RG1.88AU24B | TFE       | White |  |
| CCX.50.RG1.88AU26B | PFA       | White |  |
| CCX.50.RG1.88AU26B | PTFE      | White |  |
| CCX.50.RG3.16BU26M | FEP       | Brown |  |
| CCX.50.RG3.16U28M  | PTFE      | Brown |  |
| CCX.75.RG1.79BU26M | FEP       | Brown |  |
| CCX.75.RG1.87AU26B | PFA       | White |  |
| CCX.75.RG1.87AU27B | PTFE      | White |  |

LEMO products and services are provided "as is". LEMO makes no warranties or representations with regard to LEMO product & services or use of them, express, implied or statutory, including for accuracy, completeness, or security. The user is fully responsible for his products and applications using LEMO components.