

ITEM	PART#	DESCRIPTION	QTY	UOM
A, B	22013047	100 KK Term Hsg W/LRamp W/PoR 4Ckt 2695-	2	PC
C	8500113	KK 100 Crp Term Std 22-30 Awg Tin	8	PC
D	--	PAPER PRINTED PAPER WHITE	1	PC

FROM	TO	DESCRIPTION	COLOR
A1	B4	1X22AWG DISC MPPE BK UL11028	BLACK
A2	B3	1X22AWG DISC MPPE BK UL11028	BLACK
A3	B2	1X22AWG DISC MPPE BK UL11028	BLACK
A4	B1	1X22AWG DISC MPPE BK UL11028	BLACK

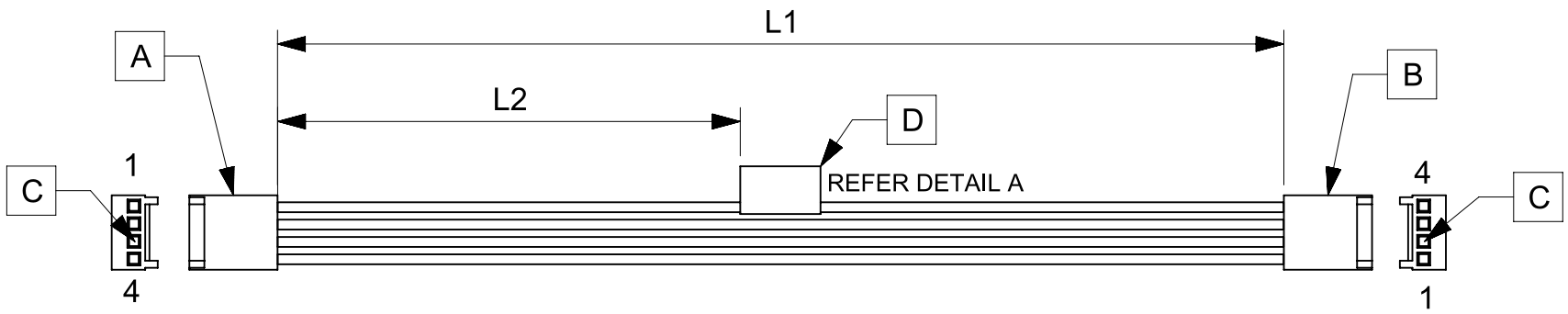


TABLE			
PART NUMBER	L1	L2	TITLE
2177961041	150±8	63 REF	KK 2.54 SR R-R 4CKT 150MM DISC Sn
2177961042	300±10	138 REF	KK 2.54 SR R-R 4CKT 300MM DISC Sn
2177961043	600±10	288 REF	KK 2.54 SR R-R 4CKT 600MM DISC Sn

- NOTES**
- Cable assembly must pass 100% for continuity and polarity.
  - Connector view shown is from mating side.
  - Label text must be 2mm max. in height with Arial font.
  - Label must be wrapped in Flag type on a single cable.

MOLEX P/N  
MOLEX  
BATCH WK/YR  
DETAIL A

REVISION			
DATE	REV	DESCRIPTION	CHANGER
11/01/2021	A	INITIAL RELEASE	ARAJU

<b>FUNCTIONAL SYMBOLS</b> $\frac{E}{A} = 0$ $\frac{E}{E} = 0$ $\frac{E}{P} = 0$ <b>DIVISIONAL SYMBOLS</b>	THIS DRAWING CONTAINS INFORMATION THAT IS PROPRIETARY TO MOLEX ELECTRONIC TECHNOLOGIES, LLC AND SHOULD NOT BE USED WITHOUT WRITTEN PERMISSION		DIMENSION UNITS: <b>mm</b> SCALE: <b>NTS</b>		CURRENT REV DESC:  EC NO: 652805 DRWN: ARAJU    2021/01/09 CHK'D: RDESAI01    2021/01/11 APPR: RDESAI01    2021/01/11  INITIAL REVISION: DRWN: ARAJU    2021/01/09 APPR: RDESAI01    2021/01/11	molex		
	GENERAL TOLERANCES (UNLESS SPECIFIED)		SEE TABLE			PRODUCT CUSTOMER DRAWING		
	ANGULAR TOL ± °		DOCUMENT NUMBER			DOC TYPE	DOC PART	REVISION
	4 PLACES ±	3 PLACES ±	2177961041			PSD	000	A
2 PLACES ±	1 PLACE ±	MATERIAL NUMBER		CUSTOMER		SHEET NUMBER		
0 PLACES ±	DRAFT WHERE APPLICABLE MUST REMAIN WITHIN DIMENSIONS		THIRD ANGLE PROJECTION	DRAWING	SERIES	MATERIAL NUMBER	CUSTOMER	SHEET NUMBER
				A4-SIZE	217796	SEE TABLE	GENERAL MARKET	1 OF 1

RELEASE STATUS	P1	RELEASE DATE	2021/01/11	10:46:53
----------------	----	--------------	------------	----------