

1	2367323-1	ROT-T*715-B1 A0281-B301 without cap	2
1	2341281-1	Gehäuse kpl. / Bauform T2	1
2367254-1	PARTNUMBER	DESCRIPTION	ITEM NO
REVISION OF EACH ASSY NO. (WHEN BLANK, USE DWG. REVISION)			
PARTS LIST			

P	LTR	DESCRIPTION	DATE	DWN	APVD
A		REVISED PER ECR-20-004270	21MAR2020	GK	OD

Ø50h7 +0
-0.025

Achtung:
Die angegebenen Aderpaare sind einmal auf 25mm
verseilt : blau und gelb / rot und schwarz /
rotweiss und gelbweiss

Attention:
The specified cable pairs have to twist once at 25mm :
blue and yellow / red and black /
red-white and yellow-white

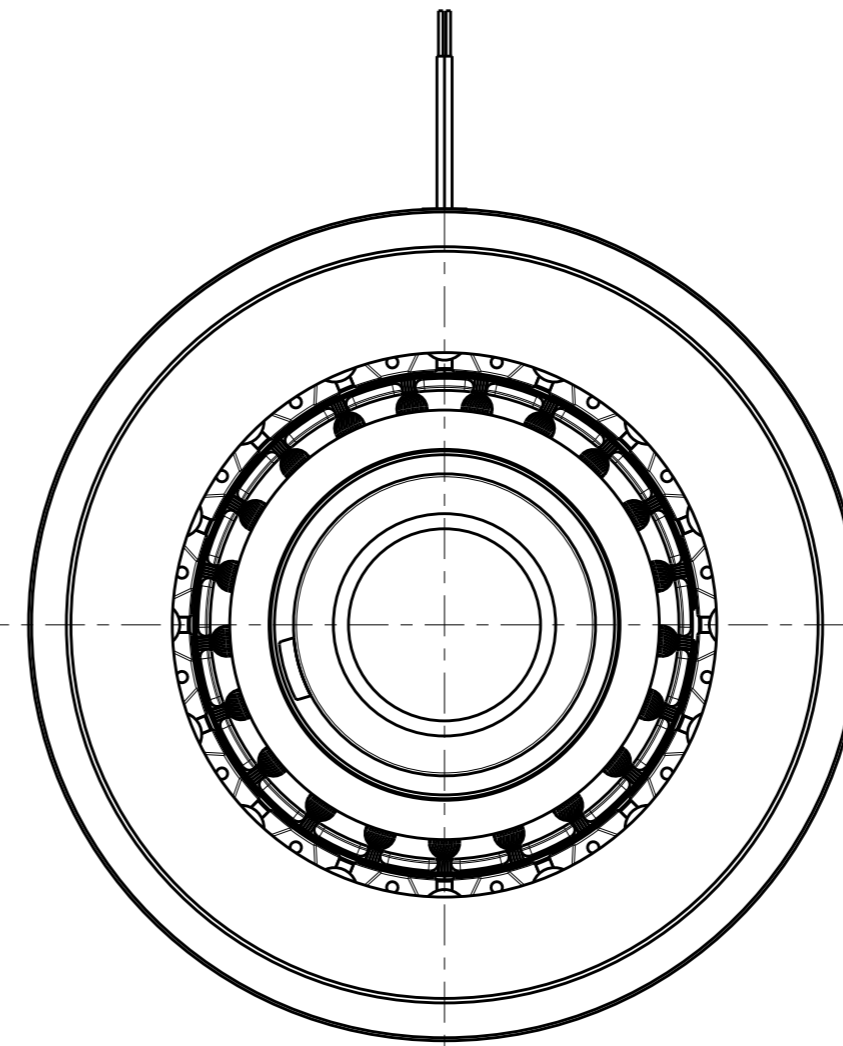
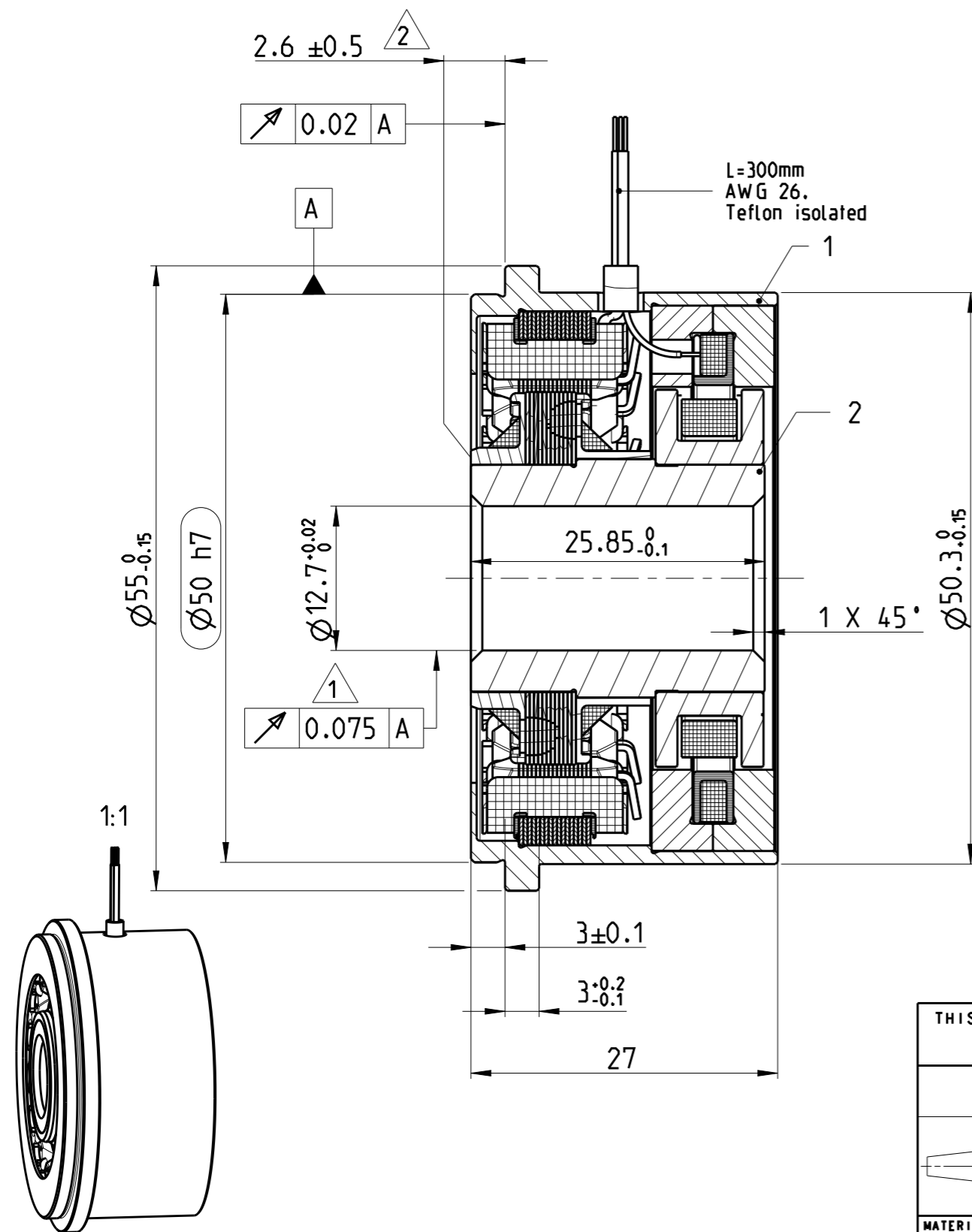
Resolverstator u.-rotor nur paarig verwenden !

Use only paired stator and rotor !


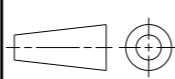
1 Gesamtschlag im eingebauten Zustand
concentricity in installed situa

2 Axialversatz
axial displacement

Signal	conductor colouring
S1(COS+)	RED
S2(SIN+)	YELLOW
S3(COS-)	BLACK
S4(SIN-)	BLUE
R1(REF+)	RED-WHITE
R2/R3(REF-)	YELLOW-WHITE



DIMENSIONS WITHOUT TOLERANCES : DIN ISO 2768-m

THIS DRAWING IS A CONTROLLED DOCUMENT.		DWN GOPALAKRISHNA HV 20 JAN 2020	 TE Connectivity	
		CHK SARFRAZ BILAL 20 JAN 2020		
		APVD ONDREJ DUSAN 20 JAN 2020	NAME HOLLOW SHAFT RESOLVER / SZ.21 TYPE T2 CrMo V23401-T2715-B101	
DIMENSIONS: mm		TOLERANCES UNLESS OTHERWISE SPECIFIED:		PRODUCT SPEC -
		0 PLC	±	APPLICATION SPEC -
		1 PLC	±	WEIGHT -
		2 PLC	±	SIZE A3
		3 PLC	±	CAGE CODE 00779
		4 PLC	±	DRAWING NO C-2367254
		ANGLES	±1°	RESTRICTED TO
MATERIAL -		FINISH -		SCALE 2:1
				SHEET 1 OF 1
				REV A
		CUSTOMER DRAWING		