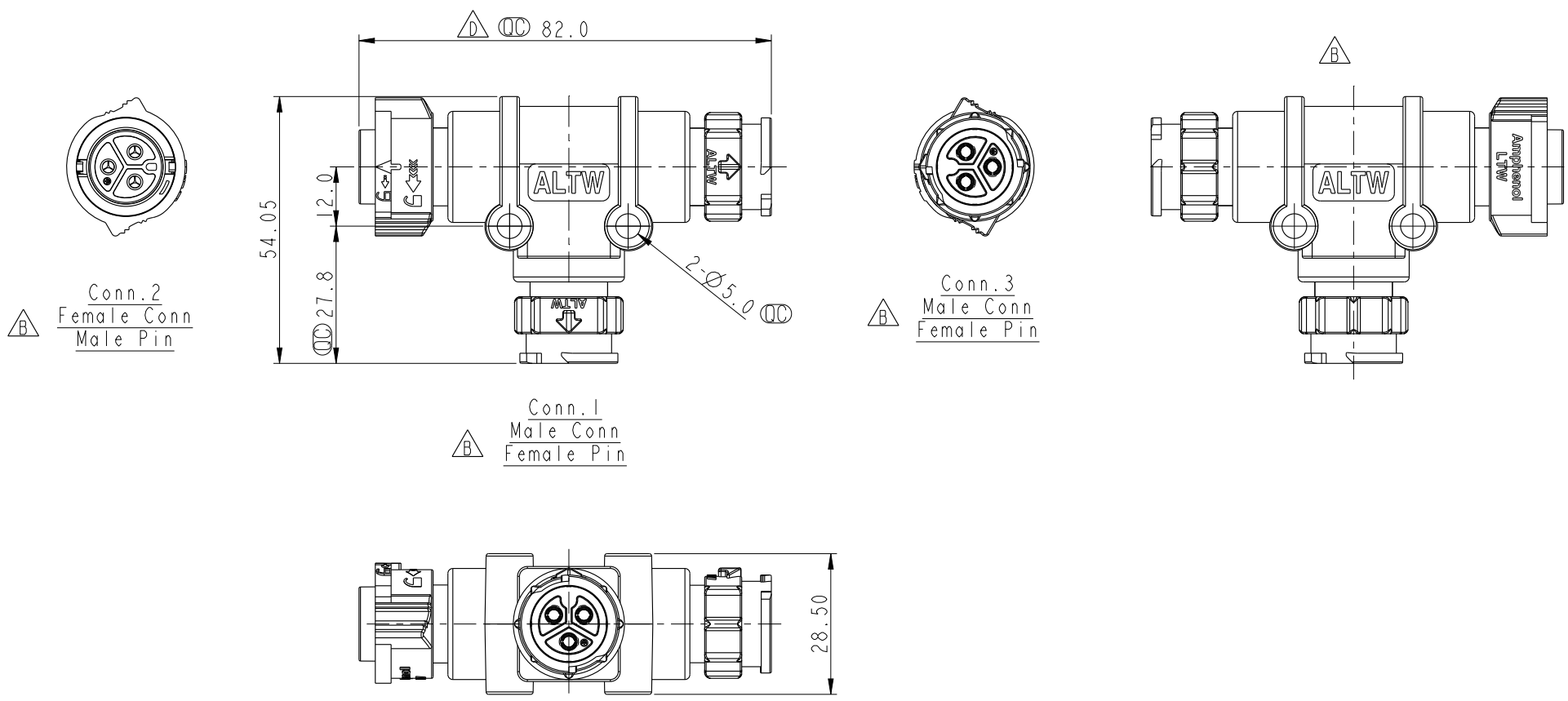

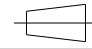


THIS DOCUMENT IS SUBJECT TO CHANGE WITHOUT NOTICE. IT IS CONFIDENTIAL AND A PROPERTY OF Amphenol LTW. DISCLOSURE TO THIRD PARTY HAS TO BE AUTHORIZED BY Amphenol LTW.

REV.	ECN NO.	DATE	SIGN	DESCRIPTION
B	C191866	2019-11-06	Ouyang	△B X8
C	C192112	2019-12-11	Ouyang	△C x2
D	C200958	2020-06-19	Ouyang	△D x1



- \*  $\varnothing$  Important Dimension
- \* Waterproof Rating: IP68 (1M/24Hours)
- \* Housing & Nut: Nylon+GF, Black.
- \* O-Ring: Silicone, Gray
- \* Pins: Copper Alloy, Gold Plated.

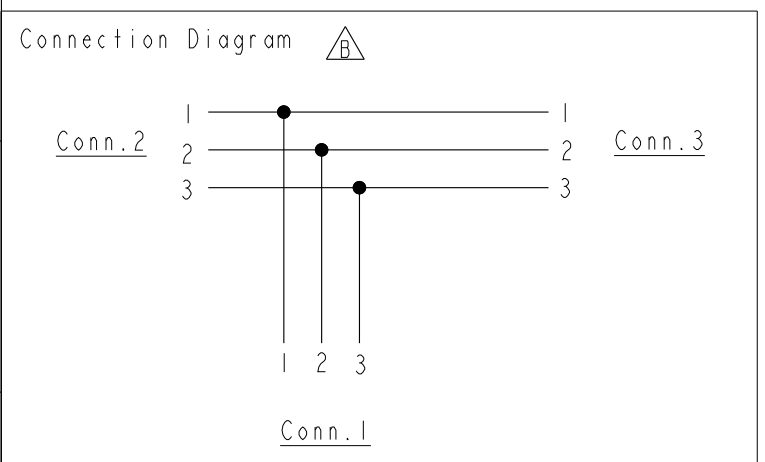
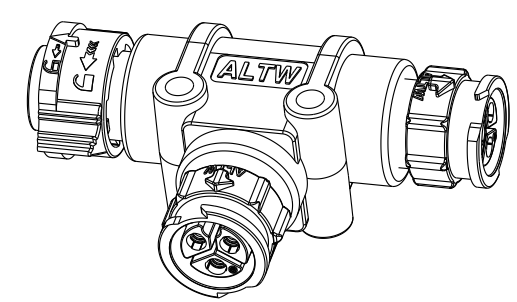
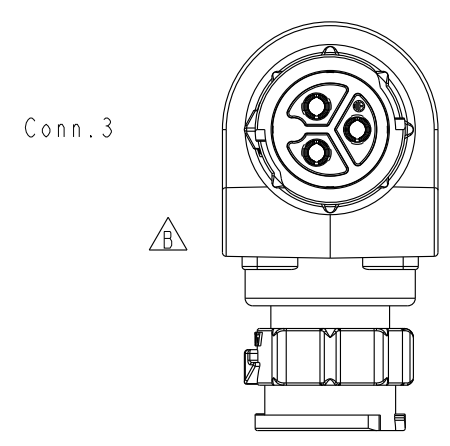
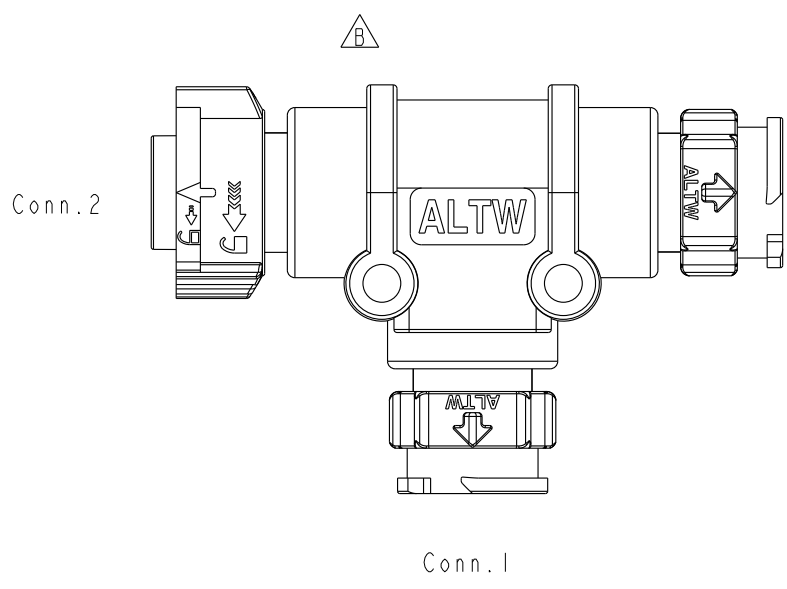
UNIT:mm    
 TOLERANCE  
 $\pm 0.5\text{mm}$

TITLE T Adaptor X-Lok, C Size			
SCALE 1:1	SIZE A4	SHEET 1 OF 2	
REV. D	WC-REV. .0	$\varnothing$ : Inspection item	

**Amphenol LTW**  
 安費諾亮泰企業股份有限公司

ITEM NO	DRAWN BY Ouyang	DATE 2019-08-02
DWG NO AB-CC-XXXXXX-HBH-TQ001	CHECKED BY Jerry	DATE 2019-08-02
CUSTOMER ALTW	APPROVED BY Fred	DATE 2019-08-02

THIS DOCUMENT IS SUBJECT TO CHANGE WITHOUT NOTICE. IT IS CONFIDENTIAL AND A PROPERTY OF Amphenol LTW. DISCLOSURE TO THIRD PARTY HAS TO BE AUTHORIZED BY Amphenol LTW.



AB-CC-XXXXXX-HBH-TQ001

Connector Type:

02: 2Pin  
 03: 3Pin

	Pin Assignments Front View			
	2 Pin		3 Pin	
Male				
Female				
Pin Out	Pin#	Color	Pin#	Color
	Pin1	White 白	Pin1	White 白
	Pin3	Black 黑	Pin2	Green 綠
			Pin3	Black 黑

UNIT:mm		TITLE	T Adaptor X-Lok, C Size	
TOLERANCE	±0.5mm	SCALE	1:1	SIZE A4
		REV.	D	WC-REV. .0
		SHEET	2	OF 2
		QC: Inspection item		

**Amphenol LTW**  
 安費諾亮泰企業股份有限公司

ITEM NO	AB-CC-XXXXXX-HBH-TQ001	DRAWN BY	Ouyang	DATE	2019-08-02
DWG NO	AB-CC-XXXXXX-HBH-TQ001	CHECKED BY	Jerry	DATE	2019-08-02
CUSTOMER	ALTW	APPROVED BY	Fred	DATE	2019-08-02