

174465-1 ✓ ACTIVE

AMP | Multilock Connector System

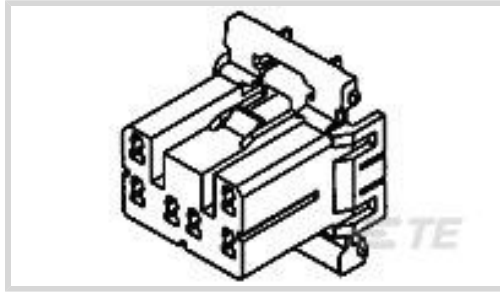
TE Internal #: 174465-1

Wire-to-Wire, 10 Position, White, Signal, Cable Mount (Free-Hanging), -22 – 221 °F [-30 – 105 °C], Multilock Connector System

[View on TE.com >](#)



Connectors > Automotive Connectors > Automotive Housings > MULTILOCK, CONNECTOR HOUSING



Mating Tab Width: 1.8 mm [.071 in]

Connector System: **Wire-to-Wire**

Number of Positions: 10

Sealable: **No**

Hybrid Connector: **No**

[All MULTILOCK, CONNECTOR HOUSING \(567\)](#)

## Features

### Product Type Features

Connector Shape	Rectangular
Connector System	Wire-to-Wire
Sealable	No
Hybrid Connector	No

### Configuration Features

Number of Positions	10
Number of Rows	2

### Body Features

Primary Product Color	White
-----------------------	-------

### Contact Features

Contact Size	1.8mm
Mating Tab Width	1.8 mm[.071 in]

### Mechanical Attachment

Terminal Position Assurance	No
Strain Relief	Without
Mating Alignment Type	Polarized
Mating Alignment	With



Connector Mounting Type	Cable Mount (Free-Hanging)
-------------------------	----------------------------

### Housing Features

Housing Material	PBT
------------------	-----

### Dimensions

Connector Height	21.6 mm[.85 in]
------------------	-----------------

Product Width	25 mm[.984 in]
---------------	----------------

Product Length	28.4 mm[1.12 in]
----------------	------------------

Row-to-Row Spacing	3 mm, 3.5 mm[.118 in][.138 in]
--------------------	--------------------------------

### Usage Conditions

Operating Temperature (Max)	70 °C, 75 °C, 80 °C, 85 °C, 90 °C, 100 °C, 105 °C[158 °F][167 °F][176 °F][185 °F][194 °F] [212 °F][221 °F]
-----------------------------	--

Operating Temperature Range	-30 – 105 °C[-22 – 221 °F]
-----------------------------	----------------------------

### Operation/Application

Circuit Application	Signal
---------------------	--------

### Industry Standards

UL Flammability Rating	UL 94HB
------------------------	---------

### Packaging Features

Packaging Quantity	100
--------------------	-----

Packaging Method	Bag
------------------	-----

### Other

Connector Position Assurance Capable	No
--------------------------------------	----

## Product Compliance

[For compliance documentation, visit the product page on TE.com>](#)

EU RoHS Directive 2011/65/EU	Compliant
------------------------------	-----------

EU ELV Directive 2000/53/EC	Compliant
-----------------------------	-----------

China RoHS 2 Directive MIIT Order No 32, 2016	No Restricted Materials Above Threshold
---	---

EU REACH Regulation (EC) No. 1907/2006	Current ECHA Candidate List: JUNE 2023 (235) Candidate List Declared Against: JAN 2023 (233) Does not contain REACH SVHC
--	--

Halogen Content	Low Halogen - Br, Cl, F, I < 900 ppm per
-----------------	--

homogenous material. Also BFR/CFR/PVC Free

Solder Process Capability

Not applicable for solder process capability

Product Compliance Disclaimer

This information is provided based on reasonable inquiry of our suppliers and represents our current actual knowledge based on the information they provided. This information is subject to change. The part numbers that TE has identified as EU RoHS compliant have a maximum concentration of 0.1% by weight in homogenous materials for lead, hexavalent chromium, mercury, PBB, PBDE, DBP, BBP, DEHP, DIBP, and 0.01% for cadmium, or qualify for an exemption to these limits as defined in the Annexes of Directive 2011/65/EU (RoHS2). Finished electrical and electronic equipment products will be CE marked as required by Directive 2011/65/EU. Components may not be CE marked. Additionally, the part numbers that TE has identified as EU ELV compliant have a maximum concentration of 0.1% by weight in homogenous materials for lead, hexavalent chromium, and mercury, and 0.01% for cadmium, or qualify for an exemption to these limits as defined in the Annexes of Directive 2000/53/EC (ELV). Regarding the REACH Regulation, the information TE provides on SVHC in articles for this part number is based on the latest European Chemicals Agency (ECHA) 'Guidance on requirements for substances in articles' posted at this URL: <https://echa.europa.eu/guidance-documents/guidance-on-reach>

### Compatible Parts



TE Part # CAT-M9194-T273  
MULTILOCK, RECEPTACLE AND TAB



TE Part # 173864-1  
070 MLC 24P CAP ASSY NATURAL




TE Part # CAT-M9194-CH8172  
MULTILOCK, CONNECTOR HOUSING



TE Part # 345208-1  
070 SERIES RECEPT.



TE Part # 175026-1  
070 REC CONTACT L.P 24-22



TE Part # 2-5173864-1  
070 MLC CAP ASS'Y 24P AU

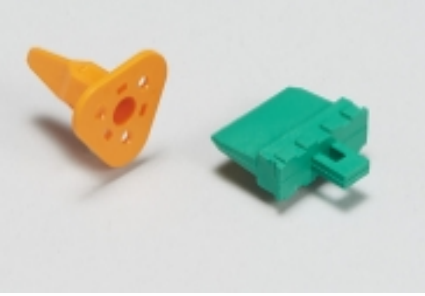
### Also in the Series | Multilock Connector System




Automotive Connector Caps & Covers (17)



Automotive Connector EMC Shielding (1)



Automotive Connector Locks & Position Assurance(2)



Automotive Housings(603)



Automotive Seals & Cavity Plugs(2)



Automotive Terminals(141)



Insertion & Extraction Tools(6)



Other Automotive Connector Accessories(14)

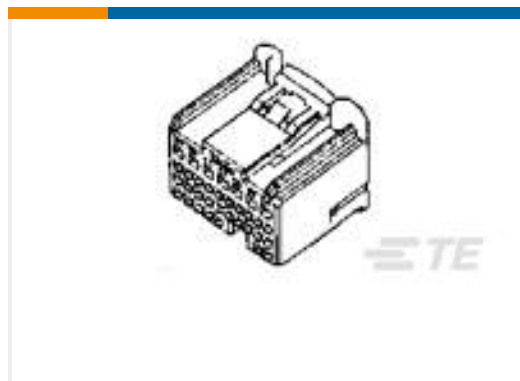


PCB Headers & Receptacles(142)

## Customers Also Bought



TE Part #173852-1  
MULTILOCK, CONNECTOR HOUSING



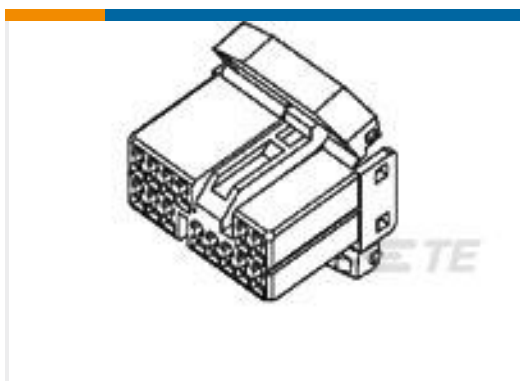
TE Part #1123339-1  
025/040 ECU PLUG HSG ASSY 32P



TE Part #1-2333134-0  
DYNAMIC 1100D REC HSG X 40P  
BLACK 33%GF



TE Part #2301695-1  
16POS,MQS,REC HSG,UNSLD



TE Part #917531-1  
040 MLC T.F. PLUG HSG 14P NATU



TE Part #1-2350416-0  
DYNAMIC 1100D TAB HSG 40P P/M  
GF33

## Documents

### Product Drawings

[070 MULTILOCK 10P B DOUBLE](#)

English

### CAD Files

Customer View Model

[ENG\\_CVM\\_CVM\\_174465-1\\_F.2d\\_dxf.zip](#)

English

[3D PDF](#)



3D

Customer View Model

[ENG\\_CVM\\_CVM\\_174465-1\\_F.3d\\_igs.zip](#)

English

Customer View Model

[ENG\\_CVM\\_CVM\\_174465-1\\_F.3d\\_stp.zip](#)

English

By downloading the CAD file I accept and agree to the [Terms and Conditions](#) of use.

---

## Datasheets & Catalog Pages

[MULTILOCK Connector System](#)

English

---

## Product Specifications

[070 MLC Series](#)

English

[Product Specification](#)

Japanese