

Ref. No. 000762

2000/10

SLEM\_ ~~R/S~~-2

~~Specification~~

SC-SLEM 01 D

Drawing No.

ISA28972-1

ISA28969-1

ISA28968-1

ISA28970-1

ISA28971-1

FCI Japan K. K.

Electronics Division Engineering Section

Certified by H. Takakura

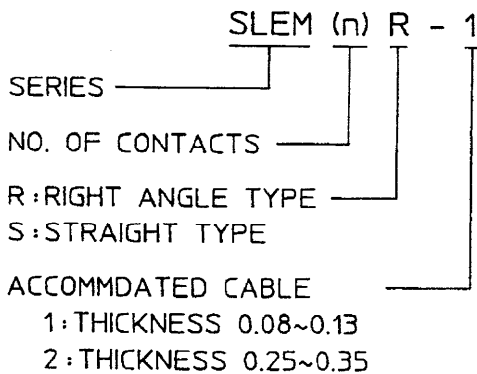
H. Takakura

Manager, Engineering Section

CAT. NO. & DIMENSIONS

NO. OF CONTACTS (n)	CAT. NO.		DIMENSIONS (NOTE)	
	RIGHT ANGLE TYPE	STRAIGHT TYPE	A ±0.3	B ±0.1
4	SLEM4R-1/2	SLEM4S-1/2	11.25	6.45
5	SLEM5R-1/2	SLEM5S-1/2	12.50	7.70
6	SLEM6R-1/2	SLEM6S-1/2	13.75	8.95
7	SLEM7R-1/2	SLEM7S-1/2	15.00	10.20
8	SLEM8R-1/2	SLEM8S-1/2	16.25	11.45
9	SLEM9R-1/2	SLEM9S-1/2	17.50	12.70
10	SLEM10R-1/2	SLEM10S-1/2	18.75	13.95
11	SLEM11R-1/2	SLEM11S-1/2	20.00	15.20
12	SLEM12R-1/2	SLEM12S-1/2	21.25	16.45
13	SLEM13R-1/2	SLEM13S-1/2	22.50	17.70
14	SLEM14R-1/2	SLEM14S-1/2	23.75	18.95
15	SLEM15R-1/2	SLEM15S-1/2	25.00	20.20
16	SLEM16R-1/2	SLEM16S-1/2	26.25	21.45
17	SLEM17R-1/2	SLEM17S-1/2	27.50	22.70
18	SLEM18R-1/2	SLEM18S-1/2	28.75	23.95
19	SLEM19R-1/2	SLEM19S-1/2	30.00	25.20
20	SLEM20R-1/2	SLEM20S-1/2	31.25	26.45
21	SLEM21R-1/2	SLEM21S-1/2	32.50	27.70
22	SLEM22R-1/2	SLEM22S-1/2	33.75	28.95
23	SLEM23R-1/2	SLEM23S-1/2	35.00	30.20
24	SLEM24R-1/2	SLEM24S-1/2	36.25	31.45
25	SLEM25R-1/2	SLEM25S-1/2	37.50	32.70
26	SLEM26R-1/2	SLEM26S-1/2	38.75	33.95
27	SLEM27R-1/2	SLEM27S-1/2	40.00	35.20
28	SLEM28R-1/2	SLEM28S-1/2	41.25	36.45
29	SLEM29R-1/2	SLEM29S-1/2	42.50	37.70
30	SLEM30R-1/2	SLEM30S-1/2	43.75	38.95

STRUCTURE OF CAT. NO.



DRAWING OF PRODUCT (NOTE)

CONNECTORS

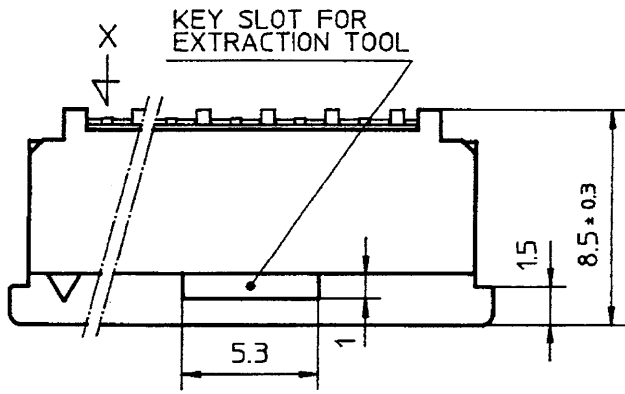
RIGHT ANGLE TYPE : JSA28969  
STRAIGHT TYPE : JSA28968

DRAWING OF RECOMMENDED CABLE

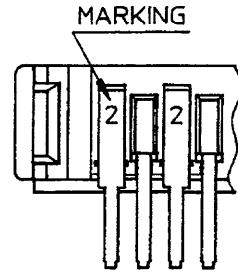
FPC : JSA28970  
FFC : JSA28971

NOTE : DIM. A & B REFER TO DWG. OF PRODUCT.

				SCALE	$\times$	CAT. NO. TABLE FOR 1.25mm SPACING CONNECTOR FOR FPC/FFC	
				DIM. IN	mm	CAT. NO.	
1	JUN. 2, '98	REDRAWN M.I	H.T.	DESIGNED	M.Takada	SLEM__R/S-1/2	
REV.	DATE	DESCRIPTION	CKD.	DRAWN	H.Sunagawa	DRAWING NO.	REV.
MATERIAL				CHECKED	S.Ito	JSA 28972	1
				APPROVED	A.NAKAI		
				DATE	FEB. 10, 1987		

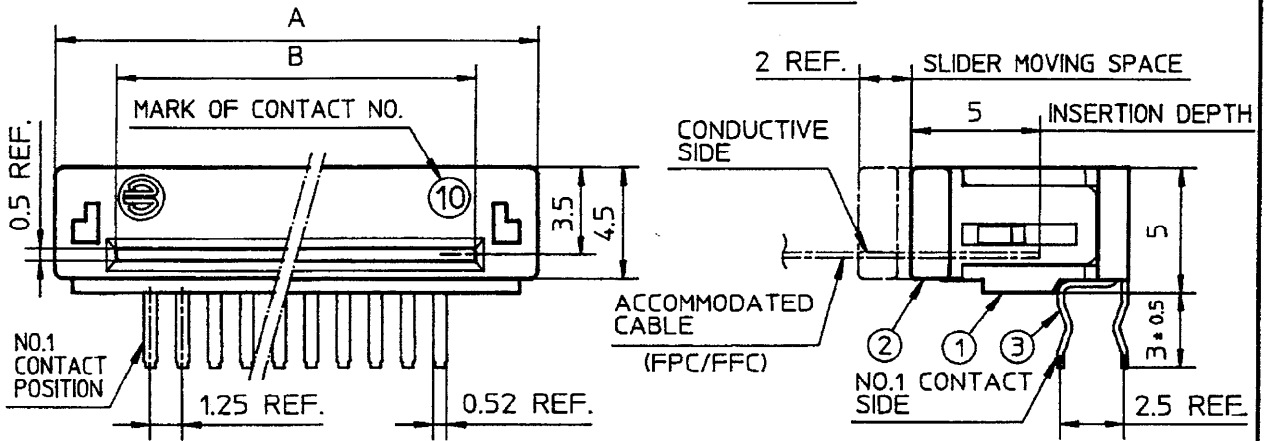


TOLERANCES  
UNLESS OTHERWISE SPECIFIED: ±0.2



CAT. NO.	MARKING
SLEM(n)R-1	1
SLEM(n)R-2	2

VIEW X



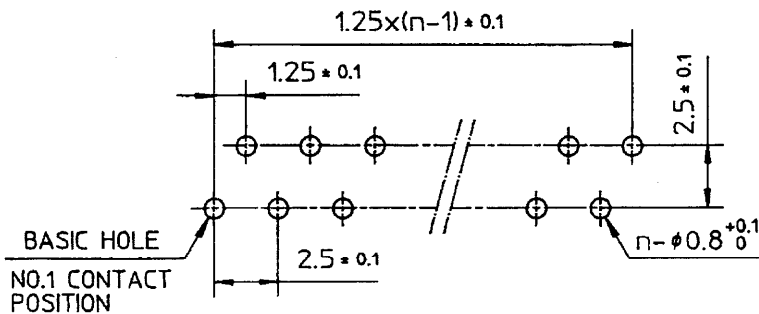
PT. NO.	PARTS NAME	MATERIAL	Q'TY	NOTE
1	HOUSING	PBT RESIN GLASS REINFORCED (UL94V-0)	1	COLOR: BLACK
2	SLIDER		1	
3	CONTACT	PHOSPHOR BRONZE	n	PLATING: TIN ALLOY

n: NO. OF CONTACTS

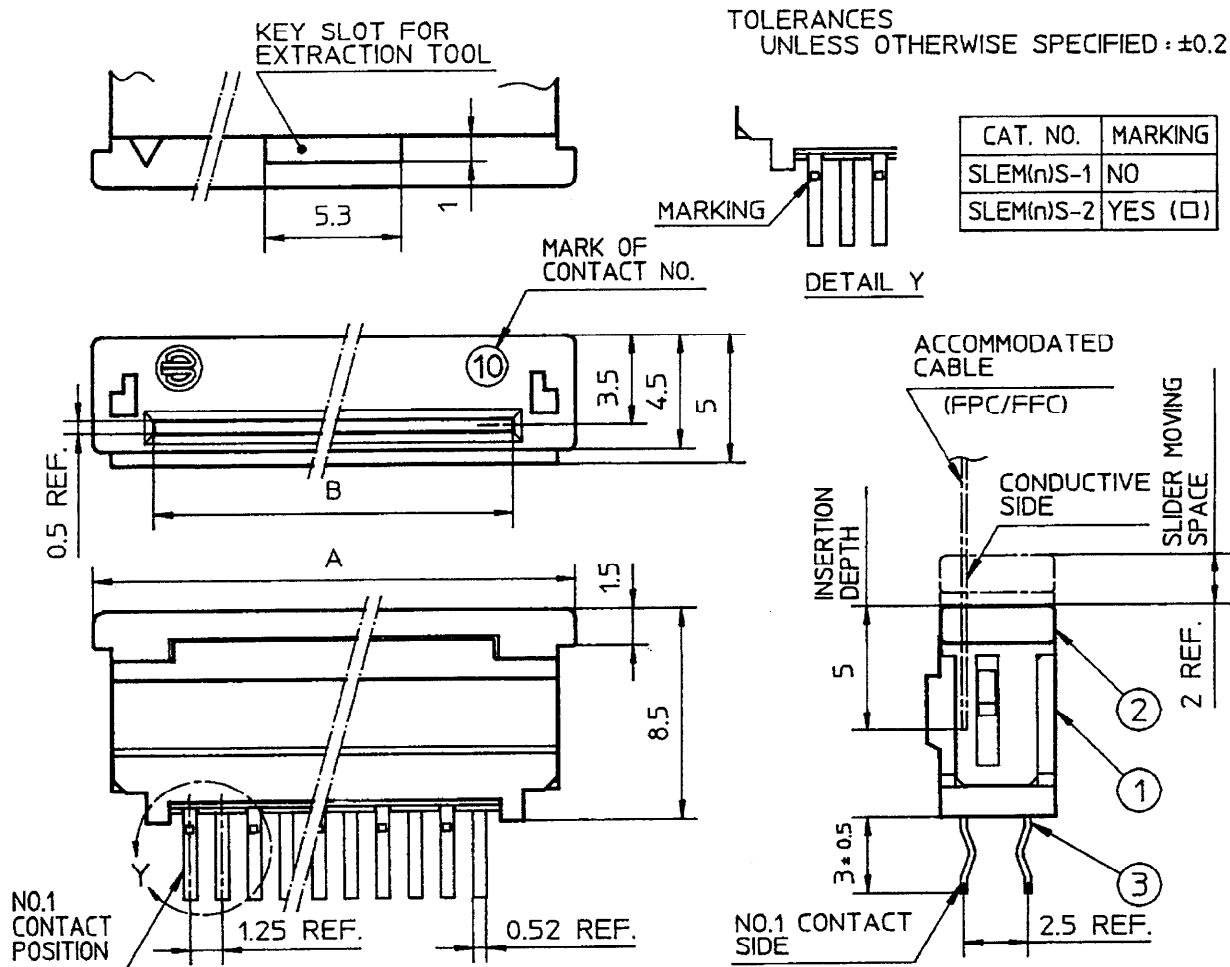
RECOMMENDED PC BOARD

THICKNESS: 1.0~1.6

HOLE PATTERN (COMPONENT SIDE)



REV.	DATE	DESCRIPTION	CHKD.	DRAWN	DESIGNED	SCALE	DIM. IN	mm	1.25mm SPACING CONNECTOR FOR FPC/FFC
1	JUN. 2, '98	REDRAWN M.I	H.T.	H.Sunagawa	M.Takada	×			CAT. NO.
									SLEM__R-1/2
									DRAWING NO.
									JSA 28969
									REV.
									1
MATERIAL				CHECKED	S.Ito				
				APPROVED	A.NAKAI				
				DATE	Feb. 10, 1987				

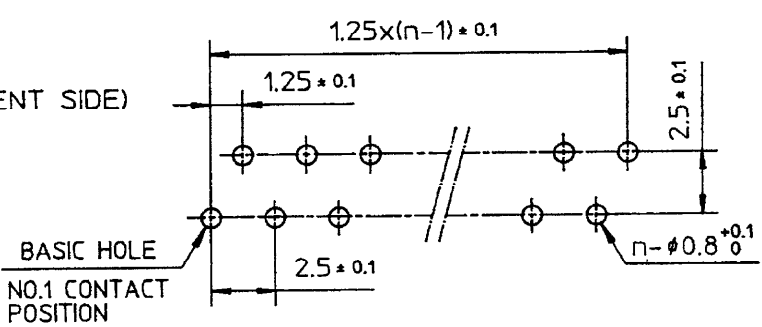


CAT. NO.	MARKING
SLEM(n)S-1	NO
SLEM(n)S-2	YES (□)

PT. NO.	PARTS NAME	MATERIAL	Q'TY	NOTE
1	HOUSING	PBT RESIN GLASS REINFORCED (UL94V-0)	1	COLOR: BLACK
2	SLIDER		1	
3	CONTACT	PHOSPHOR BRONZE	n	PLATING: TIN ALLOY

n : NO. OF CONTACTS

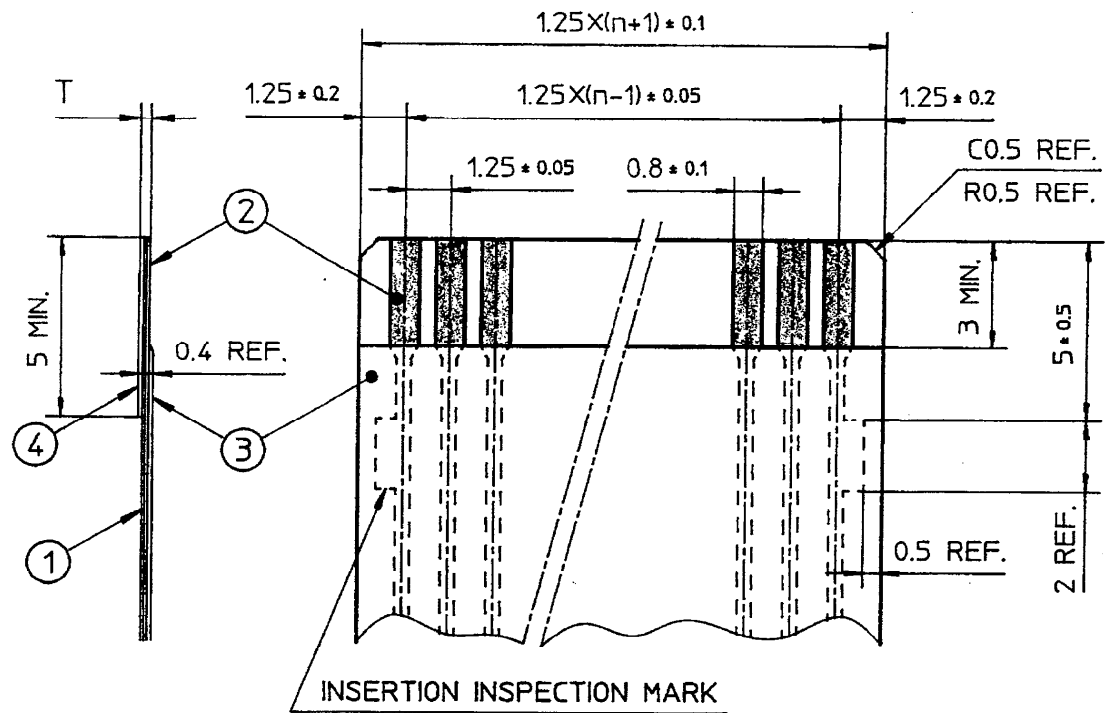
RECOMMENDED PC BOARD  
THICKNESS : 1.0~1.6  
HOLE PATTERN (COMPONENT SIDE)



				SCALE	$\times$	1.25mm SPACING CONNECTOR FOR FPC/FFC	
				DIM. IN	mm	CAT. NO.	
1	JUN. 2, '98	REDRAWN M.1	H.7	DESIGNED	M.Takada	SLEM_S-1/2	
REV.	DATE	DESCRIPTION	CKD.	DRAWN	H.Sunagawa	DRAWING NO.	JSA 28968
MATERIAL				CHECKED	S.Ito	REV.	1
				APPROVED	A.NAKAI		
				DATE	Feb. 10, 1987		

RECOMMENDED CABLE (FPC)

n : NO. OF CONDUCTORS



PT. NO.	PARTS NAME	MATERIAL
1	BASE FILM	POLYIMIDE OR EQUAL
2	CONDUCTOR	COPPER FOIL (PLATING : TIN OR SOLDER 1μm MIN.)
3	OVERLAY	POLYIMIDE OR EQUAL
4	SUPPORTING TAPE	POLYESTER, POLYIMIDE OR EQUAL

THICKNESS

SUPPORTING TAPE	ACCOMMODATED CONNECTOR CAT. NO.	DIMENSION T
NO	SLEM__R/S-1	0.08~0.13
YES	SLEM__R/S-2	0.25~0.35

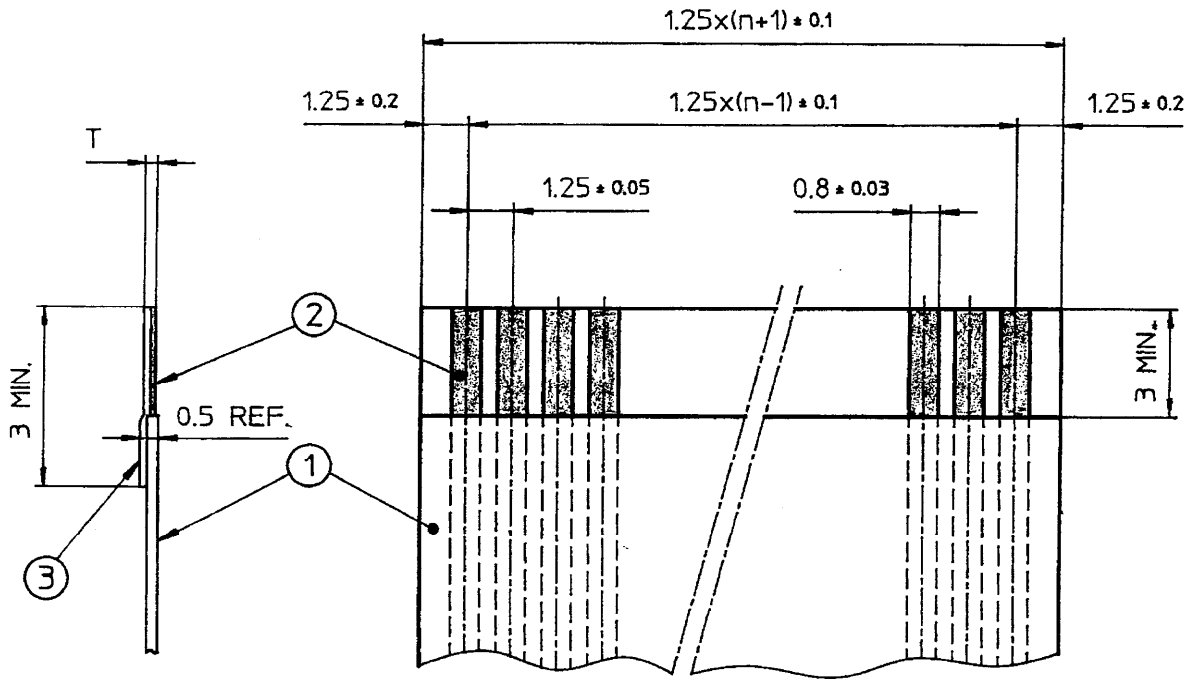
NOTES

1. NO BURR AT EACH PORTION.
2. NO PEELING IN COMMON USE.

				SCALE	∞	RECOMMENDED CABLE (FPC)	
				DIM. IN	mm	CAT. NO.	
1	Oct. 15'98	PLATING THICKNESS CHANGED. M.I	M.I.T	DESIGNED	M.Takada	SLEM __R/S-1/2	
REV.	DATE	DESCRIPTION	CKD.	DRAWN	H.Sunagawa	DRAWING NO.	REV.
MATERIAL				CHECKED	S.Ito	JSA 28970	1
				APPROVED	A.NAKAI		
				DATE	Feb. 10. 1987		

RECOMMENDED CABLE (FFC)

n : NO. OF CONDUCTORS



PT. NO.	PARTS NAME	MATERIAL
1	INSULATOR	POLYESTER OR EQUAL
2	CONDUCTOR	COPPER FOIL(PLATING : TIN OR SOLDER 1μm MIN.)
3	SUPPORTING TAPE	POLYESTER OR EQUAL

THICKNESS

SUPPORTING TAPE	ACCOMMODATED CONNECTOR CAT. NO.	DIMENSION T
YES	SLEM_R/S-2	0.25~0.35

NOTES

1. NO BURR AT EACH PORTION.
2. NO PEELING IN COMMON USE.

				SCALE	∞	RECOMMENDED CABLE (FFC)	
				DIM. IN	mm	CAT. NO.	
1	Oct, 15'98	PLATING THICKNESS CHANGED. M.I	H.T.	DESIGNED	M.Takada	SLEM_R/S-2	
REV.	DATE	DESCRIPTION	CKD.	DRAWN	H.Sunagawa	DRAWING NO.	REV.
		MATERIAL		CHECKED	S.Ito	JSA 28971	1
				APPROVED	A.NAKAI		
				DATE	Feb. 10, 1987		