

PAN1326C *Bluetooth*® Classic and Bluetooth 4.2 Low Energy RF Module

Host Controlled Interface (HCI) Bluetooth RF Module Brings TI's CC2564C To An Easy-To-Use Module Format!



Panasonic's **New PAN1326C Series** Host Controlled Interface (HCI) Bluetooth RF Module brings Texas Instrument's seventh generation Bluetooth core integrated circuit, the CC2564C, to an easy-to-use Module format. The **New PAN1326C** is Bluetooth 4.2 compliant and offers best-in-class RF performance. Panasonic's tiny footprint technology has produced a Module of only 85.5mm². The **PAN1326C** is designed to accommodate PCBs pad pitch of 1.3mm and as little as two layers for easy implementation and manufacturing. This Module has been designed to be 100% pin compatible with previous generations of Texas Instruments based Bluetooth HCI modules.

General Features and Benefits:

- Bluetooth 4.2 Compliant Up To The HCI Layer
- Best-In-Class Bluetooth RF Performance (Tx, Rx Sensitivity, Blocking)
- Fully Qualified Bluetooth
- FCC And IC Listed, CE Compliant
- Dimensions: 9.0 Mm x 9.5 Mm x 1.8 Mm (Width x Length x Height)
- Operating Temperature Range: -45°C To +85°C
- Supply Voltage Range: 1.7 - 4.8 V
- Based Upon TI's CC2564C
- RoHS and REACH Compliant

Bluetooth Features:

- Basic Rate Scatternet: Up To Three Piconets Simultaneously, One As Master And Two As Slaves
- Provide Assisted Mode For HFP 1.6 Wideband Speech (WBS) Profile Or A2DP Profile
- BLE Concurrent Peripheral And Central, Support Up To 10 Devices
- Integration Of Bluetooth 4.2 Low Energy Secure Connections

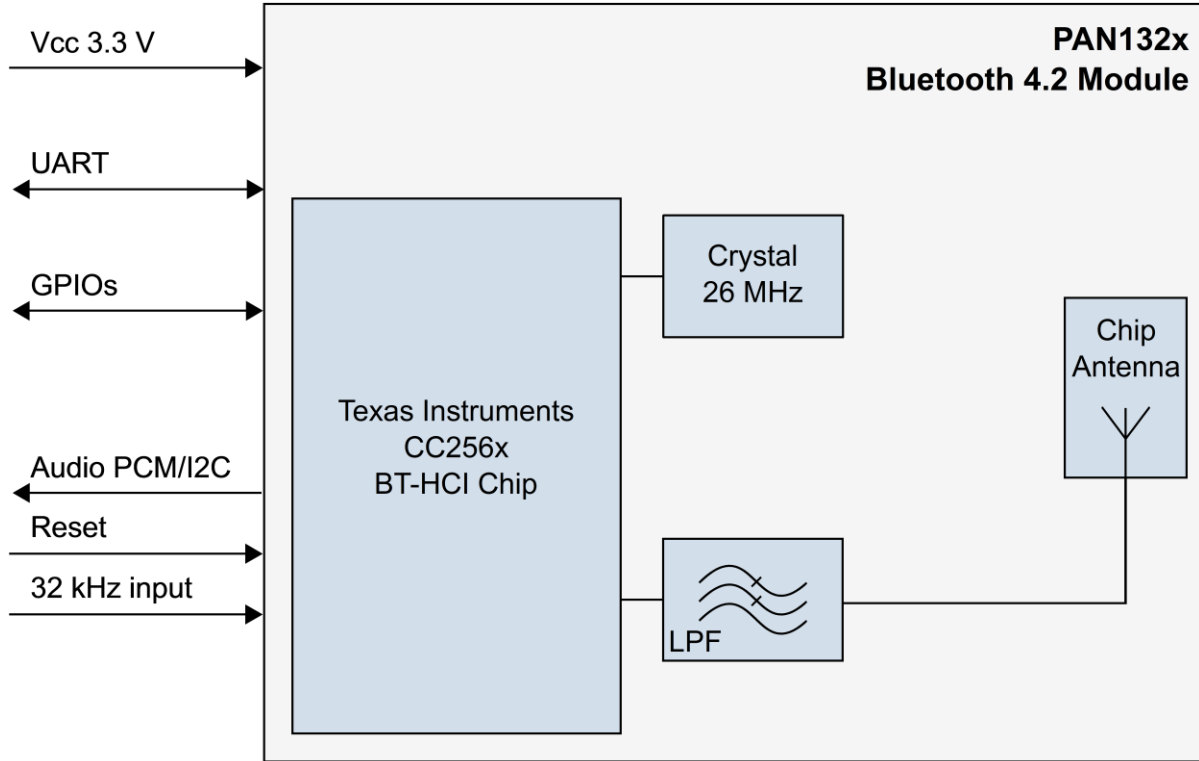
Applications:

- Heart Rate Monitors
- Blood Glucose Meters
- Industrial Sensors
- Entertainment Devices
- Mobile Accessories
- Toys

Part Number Information:

Part Number	Description	Series Number
ENW-89823A4KF	Bluetooth HCI Module, CC2564C, Integrated Antenna	PAN1325C

Block Diagram:



Technical

Characteristics:

Parameter	Value	Condition/Note
Receiver Sensitivity	-93 dbm	
Output Power	10 dbm	Maximum Setting
Power Supply	1.7V – 4.8V	Single Operation Voltage
Transmit Mode	40mA	ACL, DH1
Receive Mode	20 mA	ACL, DH1
Operating Temperature	-45°C to +85°C	Industrial Range