



## 575SX1A48S102SS

575 Series Commercial Potentiometer, Conductive Plastic Element, Solder Hook Terminals, 0.5 W Power Rating, 1 kOhm Resistance Value

*Representative photograph, actual product appearance may vary.*

*Due to regional agency approval requirements, some products may not be available in your area. Please contact your regional Honeywell office regarding your product of choice.*

### Features

- All plastic construction
- Conductive plastic element
- Linear taper
- Solder hook terminals

### Typical Applications

- Manual controls (throttle, joystick)
- Welding and heating
- Telecommunications

### Description

The 574 Series is a low cost potentiometer with the benefits of a conductive plastic element. It is made with a thermoplastic housing and shaft and includes a bracket for vertical PC mounting.

## 575SX1A48S102SS

575 Series Commercial Potentiometer, Conductive Plastic Element, Solder Hook Terminals, 0.5 W Power Rating, 1 kOhm Resistance Value

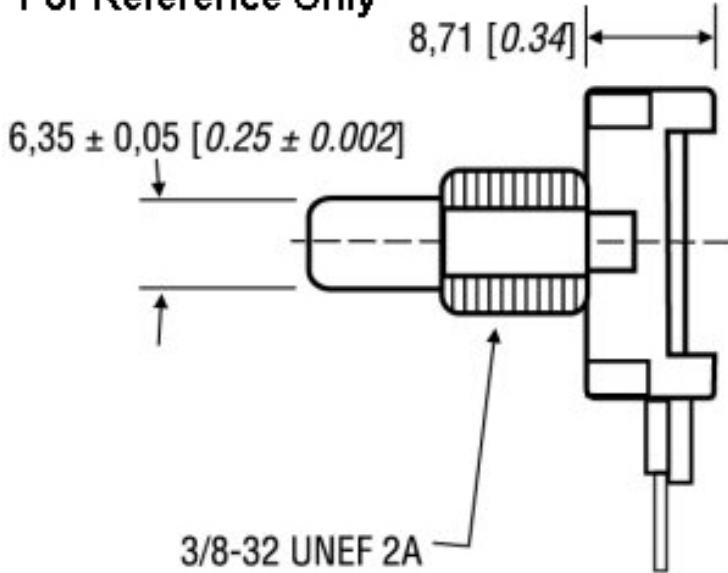
Product Specifications	
Potentiometer Type	Commercial
Element Type	Conductive Plastic
Terminal Type	Solder Hook
Power Rating	0.5 W
Resistance Value	1 kOhm
Resistance Tolerance	± 20 %
Linearity	± 5 %
Bushing Thread	9,53 mm [0.375 in] x 32 NEF-2A
Bushing length	6,35 mm [0.25 in]
Bushing Type	Standard
Shaft Diameter	6,35 mm [0.25 in]
Shaft length	19,05 mm [0.75 in]
Shaft Ending	Slotted
Body	21.08 mm [0.83 in] square, ± 0.79 mm [0.031 in], except at terminal standoff
Electrical Taper	Linear
Operating Temperature	-40 °C to 120 °C [-40 °F to 248 °F]
Working Voltage (Max.)	350 V
Rotational Life	50000 cycles
Mechanical Rotation	300°
Availability	Global
Series Name	575 Series
UNSPSC Code	4111363300
UNSPSC Commodity	4111363300 Potentiometers

**Honeywell**

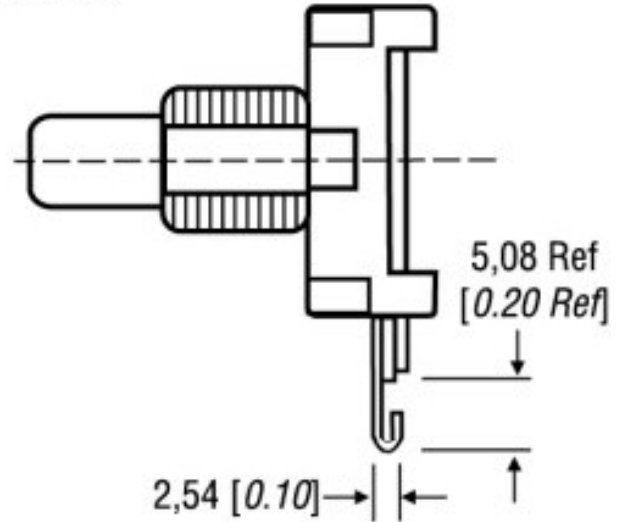
## 575SX1A48S102SS

575 Series Commercial Potentiometer, Conductive Plastic Element, Solder Hook Terminals, 0.5 W Power Rating, 1 kOhm Resistance Value

For Reference Only



Solder Hook  
Terminals



# Honeywell

## 575SX1A48S102SS

575 Series Commercial Potentiometer, Conductive Plastic Element, Solder Hook Terminals, 0.5 W Power Rating, 1 kOhm Resistance Value

### **▲ WARNING**

#### PERSONAL INJURY

DO NOT USE these products as safety or emergency stop devices, or in any other application where failure of the product could result in personal injury.

Failure to comply with these instructions could result in death or serious injury.

### **▲ WARNING**

#### MISUSE OF DOCUMENTATION

- The information presented in this product sheet (or catalog) is for reference only. DO NOT USE this document as product installation information.
- Complete installation, operation and maintenance information is provided in the instructions supplied with each product.

Failure to comply with these instructions could result in death or serious injury.

