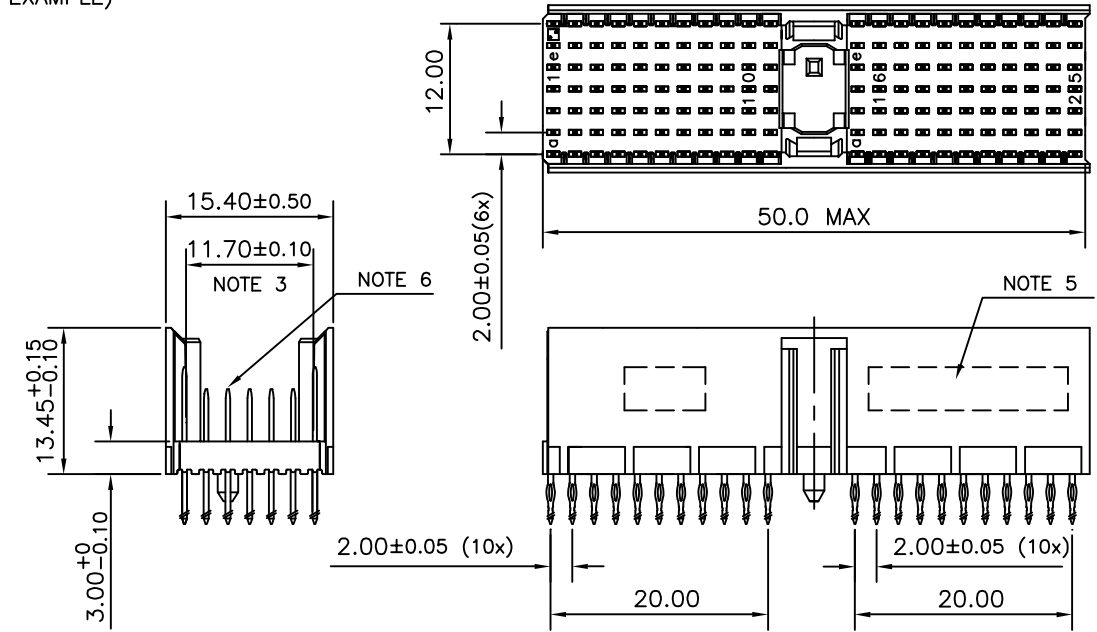


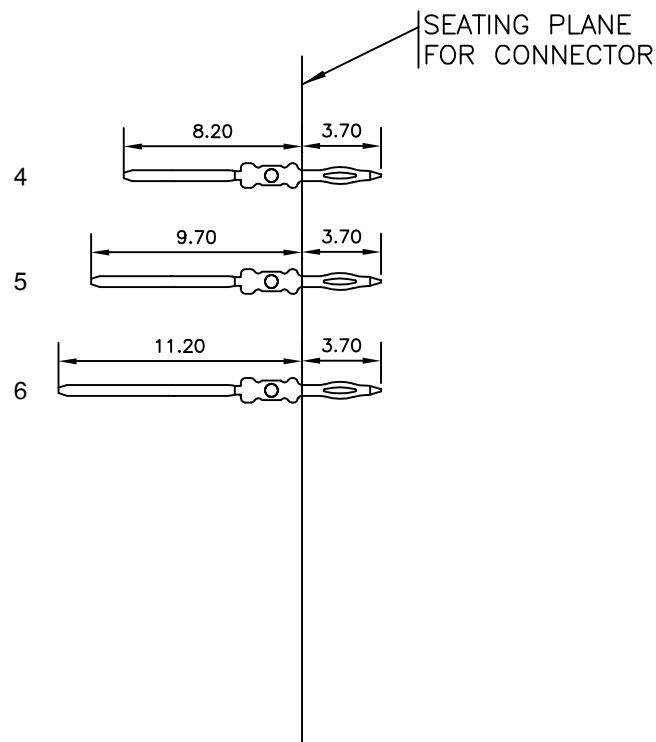
LOADING PATTERN MATING SIDE

f	6	6	6	6	6	6	6	6	6	6	6	6	6	6	6	6	6	6	6	6
e	5	5	4	4	4	4	4	4	4	4	4	4	4	4	4	4	4	4	4	4
d	5	5	4	6	4	6	4	6	4	6	4	6	4	4	4	4	4	4	4	4
c	5	5	4	4	4	4	4	4	4	4	4	4	4	4	6	4	4	4	4	4
b	5	5	4	6	4	6	4	6	4	6	4	6	4	6	4	6	4	6	4	6
a	5	5	4	4	4	4	4	4	4	4	4	4	4	4	4	4	4	4	4	4
z	6	6	6	6	6	6	6	6	6	6	6	6	6	6	6	6	6	6	6	6
P	0	0	1	1	2	2														
O	1	5	0	5	0	5														
S																				

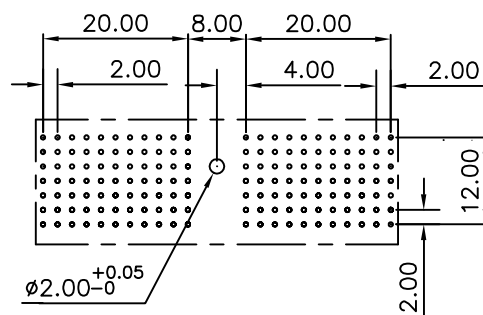
LOADED CONNECTOR ASSEMBLY (FOR EXAMPLE)



CONTACT OVERVIEW



LAY-OUT P.C.B.-HOLE



HM2P07PDE391 LEAD FREE INDICATOR : LF = LEAD FREE (DIGIT 15 & 16)

PLATING CODE (DIGIT 13 AND 14) (REF DRW NO. BS,C , 201844 , 003)

NOTES

1. THIS PRODUCT IS CSA APPROVED.
2. THIS PRODUCT IS UL RECOGNIZED.
3. MEASURED AT THE BOTTOM.
4. MATERIAL CONTACT: PHOSPHORBRONZE
HOUSING: CREAM WHITE GLASS FILLED POLYESTER UL-94V0
5. CONNECTOR PRINTED WITH P/N AND DATE CODE.
6. FOR ACTUAL CONTACT LOADINGS, SEE LOADING PATTERN MATING SIDE.
7. SHAPE OF CONNECTOR HOUSING CAN ALTER DEPENDING ON PRODUCTION LOCATION
8. THE PRODUCT (LF) MEETS EUROPEAN UNION DIRECTIVES AND OTHER COUNTRY REGULATIONS AS DESCRIBED IN GS-22-008
9. FOR RECOMMENDED PTH DIMENSIONS REFER DRAWING : BS, A , 201572 , 001

CATALOG NO: HM2P07PDE391- ---

mat'l. code SEE NOTE 4				surface ISO 1302 <input checked="" type="checkbox"/>		tolerance ISO 406 ISO 1101		projection 		product family MLLIPACS			
litr				ecn no		dr		date		title			
A				I04-0037		MINI		2004/05/15		MPACS 5+2R STR HDR PF CONN TYPE A			
B				I05-0188		MINI		2005/10/13		MM			
C				I06-0090		MINI		2006/06/27		scale -			
				dr		MINI K VANDANATH		2004/05/15		dwg no			
				enr		BIJU K PAUL		2004/05/15		sheet 1 of 1 size 5			
				chr		BIJU K PAUL		2006/06/27		BS, C ,203028, 133 A3			
				appd		BIJU K PAUL		2006/06/27		type Product Customer Drawing			
sheet index		revision sheet		c									
1		1		1									