

SPECIFICATIONS

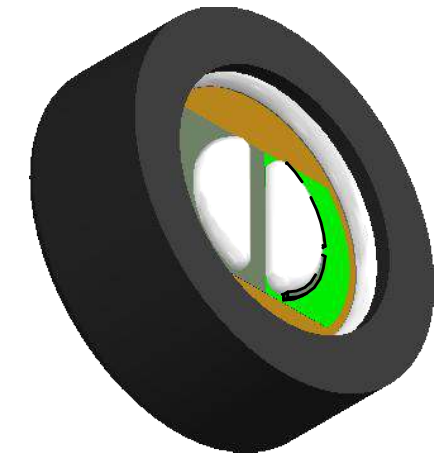
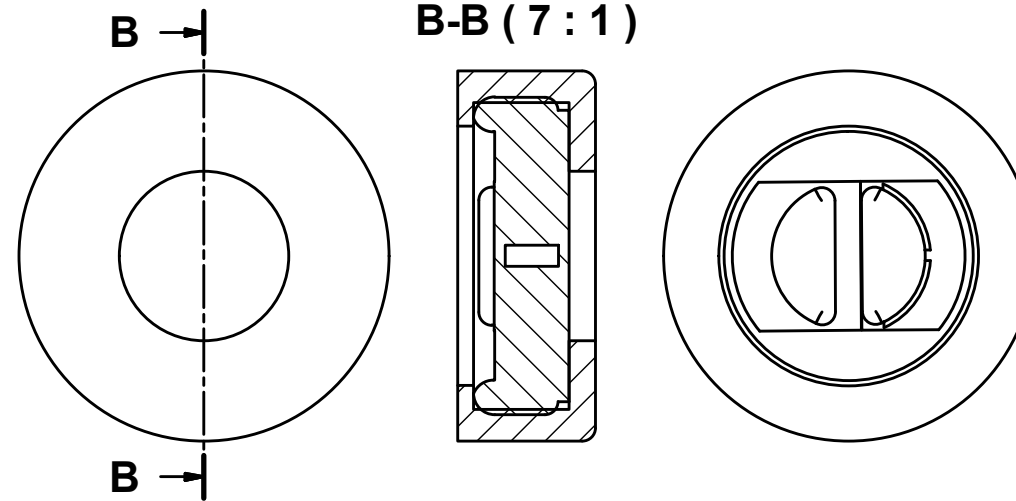
| PARAMETERS | VALUES | UNIT |
|------------------------------|-------------|------|
| DIRECTIVITY | OMINI | - |
| SENSITIVITY | -44 ± 3 | dB |
| STANDARD OPERATING VOLTAGE | 2 | Vdc |
| MAX OPERATING VOLTAGE | 10 | Vdc |
| CURRENT CONSUMPTION (MAX) | 0.5 | mA |
| IMPEDANCE | 2.2 | KOhm |
| SIGNAL TO NOISE RATIO (MIN.) | 60 | dB |
| TERMINAL | SOLDER PADS | - |
| INTERNAL CAPACITOR | N/A | pF |

THIS DOCUMENT CONTAINS DATA PROPRIETARY TO PROJECTS UNLIMITED, INC. ANY USE OR REPRODUCTION, IN ANY FORM, WITHOUT PRIOR WRITTEN PERMISSION OF PROJECTS UNLIMITED, INC. IS PROHIBITED.
©2003, Projects Unlimited Inc.

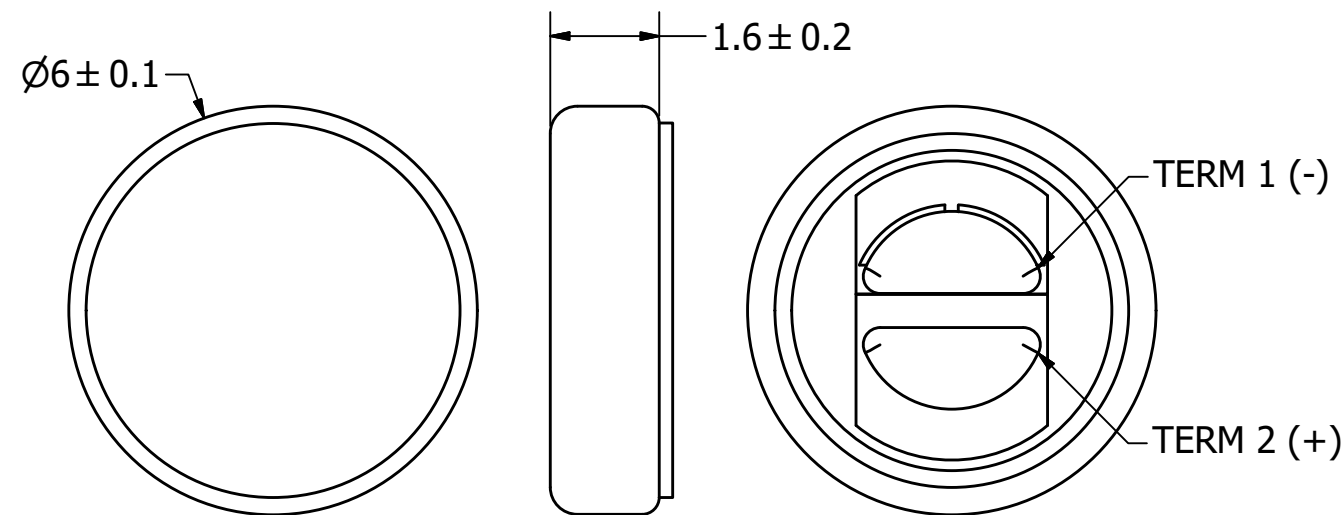
REVISION HISTORY

| LTR | DESCRIPTION | DATE | APPROVED |
|-----|--|------------|----------|
| - | RELEASED FROM ENGINEERING | 2/12/2007 | |
| A | REVISED IP RATING | 7/2/2008 | B.R. |
| B | REVISED TO INVENTOR 3-D DRAWING TEMPLATE | 10/22/2010 | B.R. |
| C | REVISED POLARITY | 4/2/2018 | M.V. |

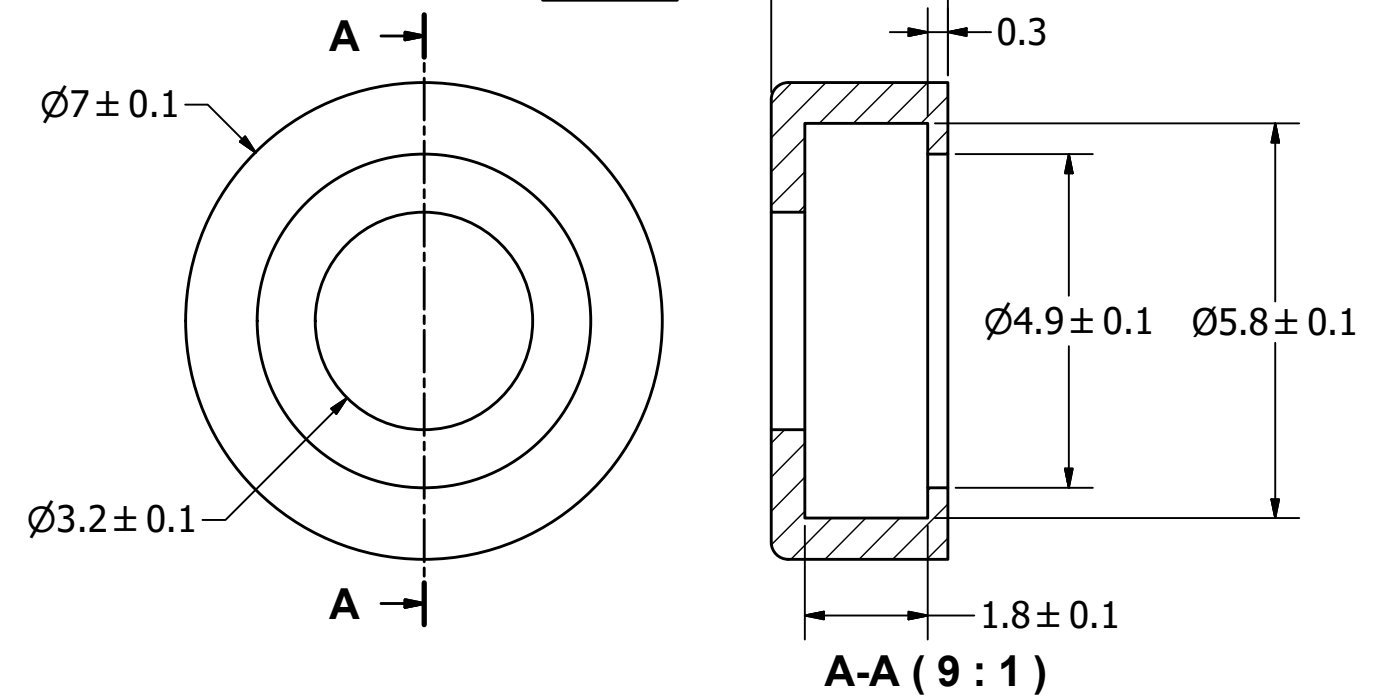
ASSEMBLY



MICROPHONE




BOOT



NOTES:

1. ALL DIMENSIONS ARE IN MILLIMETERS.
2. SPECIFICATIONS SUBJECT TO CHANGE OR WITHDRAWL WITHOUT NOTICE.
3. THIS PART IS RoHS 2002/95/EC COMPLIANT.
4. PART IS IP57 RATED.
5. ASSEMBLY IS WASHABLE WITH BOOT IN PLACE.

| | | | | | | | | |
|--|-------------------|---|-----------|------------------------------------|-----------|-------------|-----------|------------|
| UNLESS OTHERWISE SPECIFIED: DIMENSIONS ARE IN MILLIMETERS, TOLERANCES ARE ±0.5 AND ANGLES ARE ±3°. | SIZE A3 | Designed by | Date | Checked by | Date | Approved by | Date | Drawn Date |
| | | J.D. | 2/12/2007 | D.F. | 2/12/2007 | R.W. | 2/12/2007 | 10/22/2010 |
| POW-1644L-B-R.idw | |  | | POW-1644L-B-R Microphone | | | | |
| | | | | Edition | | Sheet | | |
| | | | | - | | 1 / 1 | | |