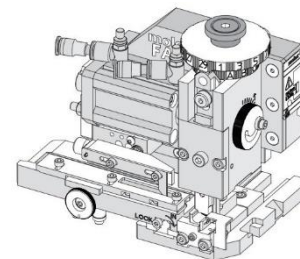


Order Number
63808-0510

molex

Application Tooling Specification



FEATURES

- Applicator designed to industry-standard mounting and 135.80mm (5.346") shut height.
- Quick setup time plus, the crimp height, track and feed adjustments can be set without removing the applicator from the press.
- Fine adjustment allows users to achieve target with little effort by adjusting in increments of 0.015mm (.0006") for conductor crimp height and 0.025mm (.001") for insulation height.
- Fine adjustment of the bend is achieved using the bend adjust dial.
- Independent adjustment rings allow users to quickly adjust the conductor or insulation crimp height without affecting each other.
- Directly adapts to most automatic wire processing machines.
- This applicator is configured with a pneumatic feed, which requires a 4-way pneumatic valve for operation.

SCOPE

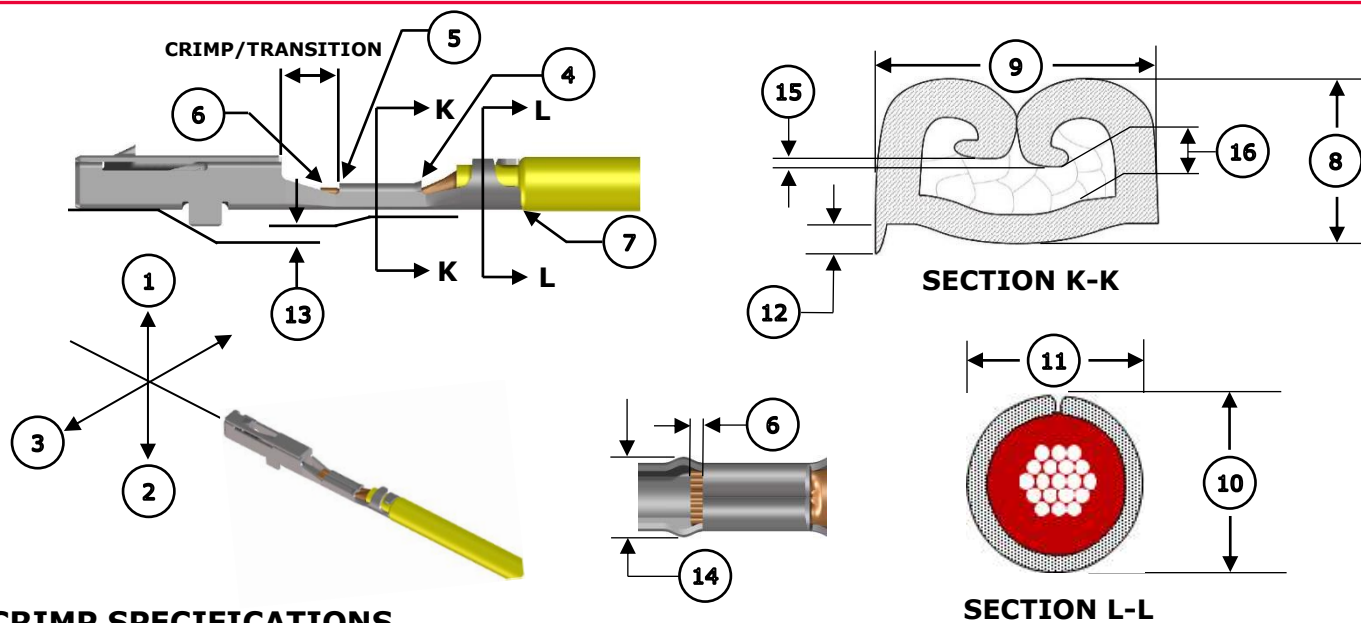
Products: TAK50 Receptacle Terminal, Unsealed, Large Grip, "D" winding.

Terminal Series No.	Terminal Order No.	Wire Standard	Wire Size	Insulation Diameter		Strip Length (Ref)	
			mm ²	mm	In.	mm	In.
200096	200096-3101 200096-6101	ISO 6722-1 GMW 15626	0.35	1.20-1.30	.047-.051	3.50	.140
	200096-3101	LV 112-1 VW 60306					

CAUTION: This applicator intended for use in a wire processor or stripper-crimper.

CAUTION: To operate the pneumatic feed, a 4-way pneumatic valve is required.

DEFINITION OF TERMS



CRIMP SPECIFICATIONS

The following crimp specifications are based on document 2000960001 Rev F5:

Feature	Requirement						
1. Bend Up	1° Max						
2. Bend Down	1° Max						
3. Twist	2° Max						
4. Bell Mouth Rear	0.10-0.40mm (.004-.016 in.)						
5. Bell Mouth Front	Not Applicable						
6. Conductor Brush	0.10-0.50mm (.004-.020 in.)						
7. Cut-Off Tab	0.20mm (.008 in.) Max						
Conductor Crimp	Wire Standard	Wire Size	8. Crimp Height		9. Crimp Width		
	ISO 6722-1 GMW 15626	0.35mm ²	0.76-0.80mm	.030-.031 in.	1.04-1.10mm	.041-.043 in.	
	LV 112-1 VW 60306		0.72-0.76mm	.028-.030 in.			
Insulation Crimp	Wire Standard	Wire Size	10. Crimp Height		11. Crimp Width		
	ISO 6722-1 GMW 15626	0.35mm ²	1.40mm max	.055 in. max	1.17-1.37mm	.046-.054 in.	
	LV 112-1 VW 60306						
Pull Force	Wire Standard	Wire Size	Minimum Force		Conditions		
	ISO 6722-1 GMW 15626	0.35mm ²	50 N	11.3 lb.	To be measured with no influence from the insulation crimp.		
	LV 112-1 VW 60306						
12. Conductor Anvil Flash	0.15mm (.006 in.) Max						
13. Insulation Grip Step	0.00±0.10mm (.000±.004 in.)						
14. Crimp Bulge	1.25mm (.049 in.) Max						
Misc.	Wire Standard	Wire Size	15. Wing Dissymmetry		16. Space Between Wing Tips and Crimp Bottom		
	ISO 6722-1 GMW 15626	0.35mm ²	0.10mm Max	.004 in. Max	0.015mm Min	.0005 in. Min	
	LV 112-1 VW 60306						

NOTES

General Notes

1. Molex recommends that an extra perishable tooling kit be maintained at your facility.
2. Verify tooling alignment by hand cycling the press and applicator before crimping under power. Check that all screws are tight.
3. Slugs, terminals, dirt and oil should be kept clear of the work area.
4. Wear safety glasses when operating or maintaining the applicator.
5. For recommended maintenance, refer to the FA2 manual (TM-638080200).
6. Molex recommends crimping stranded copper wire only.
7. Lubrication must be used when crimping this terminal to prevent terminal from sticking in the conductor punch. Use 63801-7240 oiler or equivalent.

WARNINGS

CAUTION: This applicator must be installed in a press with a standard shut height of 135.80mm (5.346"). Tooling damage could result at a lower setting.

CAUTION: To prevent injury, never operate this applicator without the guards supplied with the press or wire-processing machine in place. Reference the press or wire processing manufacturer's instruction manual.

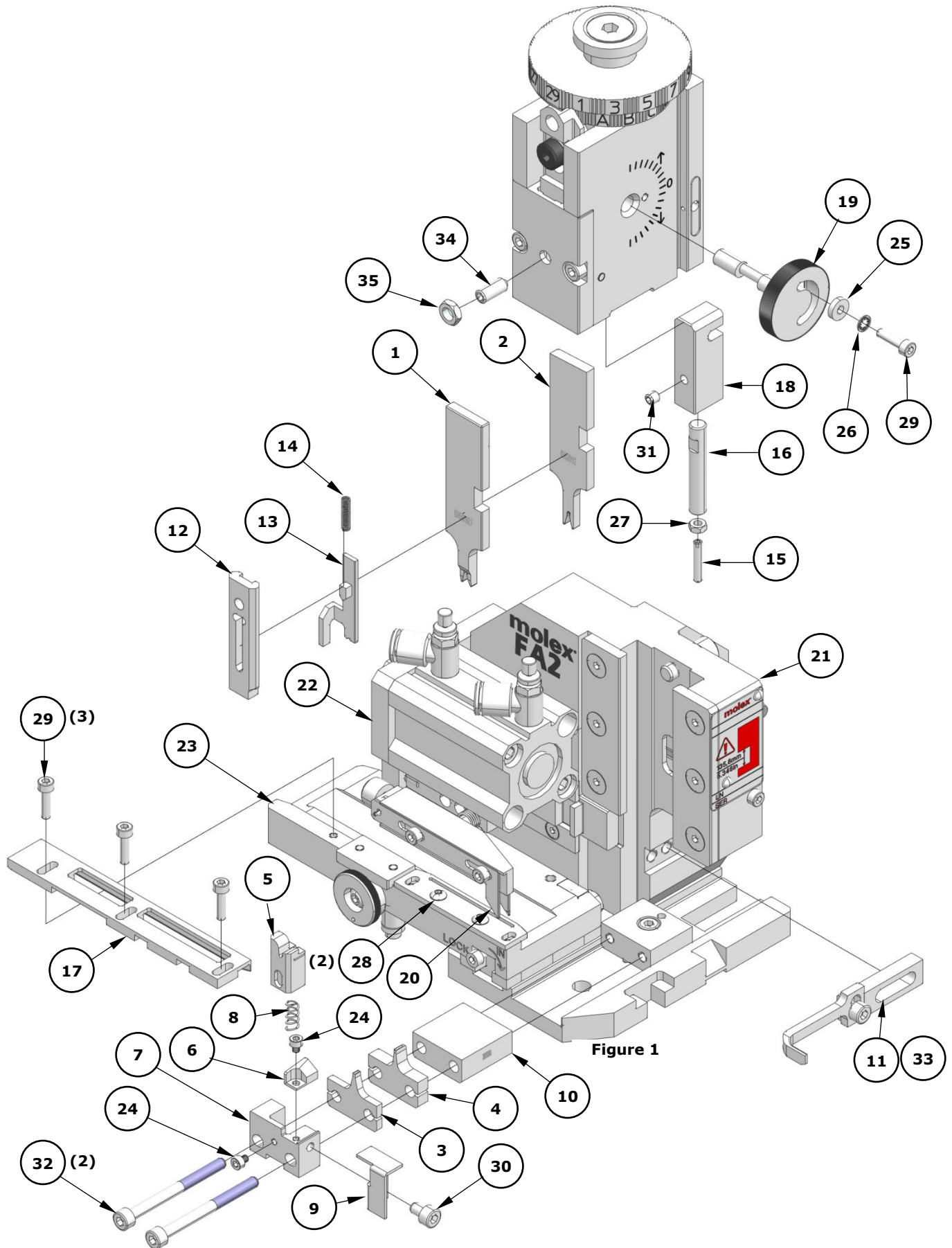
CAUTION: Molex tooling crimp specifications are valid only when used with Molex terminals and tooling manufactured by Molex and sold by Molex or authorized distributors ("Molex Tooling"). When using tooling other than Molex Tooling with Molex-specific connector systems listed in our ATS documents, the Molex Tooling qualification does not apply, and the responsibility for full qualification of the connector system is that of the customer. Molex accepts no liability for connector performance or tooling support where tooling other than Molex Tooling is used or where Molex Tooling is modified.

PARTS LIST

FA2 Applicator 63808-0510					
Item	Order No.	Engineering No.	Description	Quantity	
Perishable Tooling					
	63808-0570	63808-0570	Tool Kit (All "Y" Items)	Ref	
1	63454-0162	63454-0162	Insulation Punch	1 Y	
2	63457-0112	63457-0112	Conductor Punch	1 Y	
3	63456-0110	63456-0110	Insulation Anvil	1 Y	
4	63455-0139	63455-0139	Conductor Anvil	1 Y	
1	5	63808-0576	63808-0576	Cut-Off Plunger	1 Y
6	63443-0119	63443-0119	Cutting Insert	1 Y	
7	63443-0118	63443-0118	Front Plunger Retainer	1 Y	
Non-Perishable Components					
1	8	11-24-1067	4996-4	Cut-Off Plunger Spring	1
9	63443-0117	63443-0117	Front Scrap Chute	1	
10	200213-7578	200213-7578	Anvil Mount	1	
11	63443-0090	63443-0090	Wire Stop	1	
12	63443-5205	63443-5205	Front Plunger Striker	1	
13	63443-5301	63443-5301	Wire Hold Down Plunger	1	
14	63700-5305	63700-5305	Wire Hold Down Spring	1	
15	63600-5813	63600-5813	Soft-Tip Set Screw	1	
16	63600-5775	63600-5775	Nose Hold Down Shank	1	
17	63443-4701	63443-4701	Terminal Guide	1	
18	63443-7403	63443-7403	Hold Down Block	1	
19	63808-0229	63808-0229	Bend Adjust Dial	1	
20	63808-0249	63808-0249	Feed Pawl	1	
Frame					
21	63808-0200	63808-0200	Applicator Core	1	
22	63808-0196	63808-0196	Pneumatic Feed Assembly	1	
23	63808-0191	63808-0191	Track Assembly	1	
Hardware					
24	—	—	M2.5 x 3 SHCS	2*	
25	—	—	M3 Flat Washer Hard	1*	
26	—	—	M3 Inner Tooth Lock Washer	1*	
27	—	—	M3 Hex Nut	1*	
28	—	—	M3 x 6 BHCS	2*	
29	—	—	M3 x 12 SHCS	4*	
30	—	—	M4 x 6 SHCS	1*	
31	—	—	M4 x 4 SSS	1*	
32	—	—	M4 x 45 SHCS	2*	
33	—	—	M5 x 12 SHCS	1*	
34	—	—	M5 x 10 Long Cup Point SSS	1*	
35	—	—	M5 Hex Jam Nut	1*	
*Fastener parts can be purchased through most industrial suppliers by using the description in the table above.					

1 When crimping twisted-pair cables, Cutoff Plunger 63443-0136 should be used and the Front Scrap Chute should be removed.

ASSEMBLY DRAWING



FACTORY SETTINGS

Feed Pawl Assembly

The FA2 applicator number 63808-0510 ships with the following factory settings. See Figure 2:

- The feed pawl shaft and M3 set screw that holds the feed pawl spring are in position 2.
- The pin is in position B.

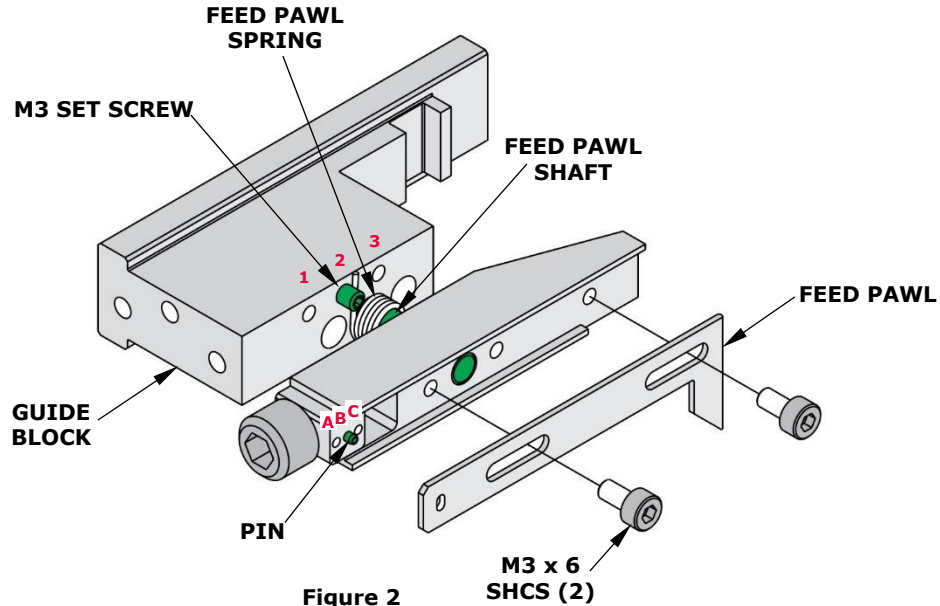


Figure 2

Note: Each applicator is configured and tested by Molex prior to shipping, and the above settings were used to produce the included sample crimps.

Third Dial/Ram Assembly

○ Indicates item number on the Parts List and Assembly Drawing

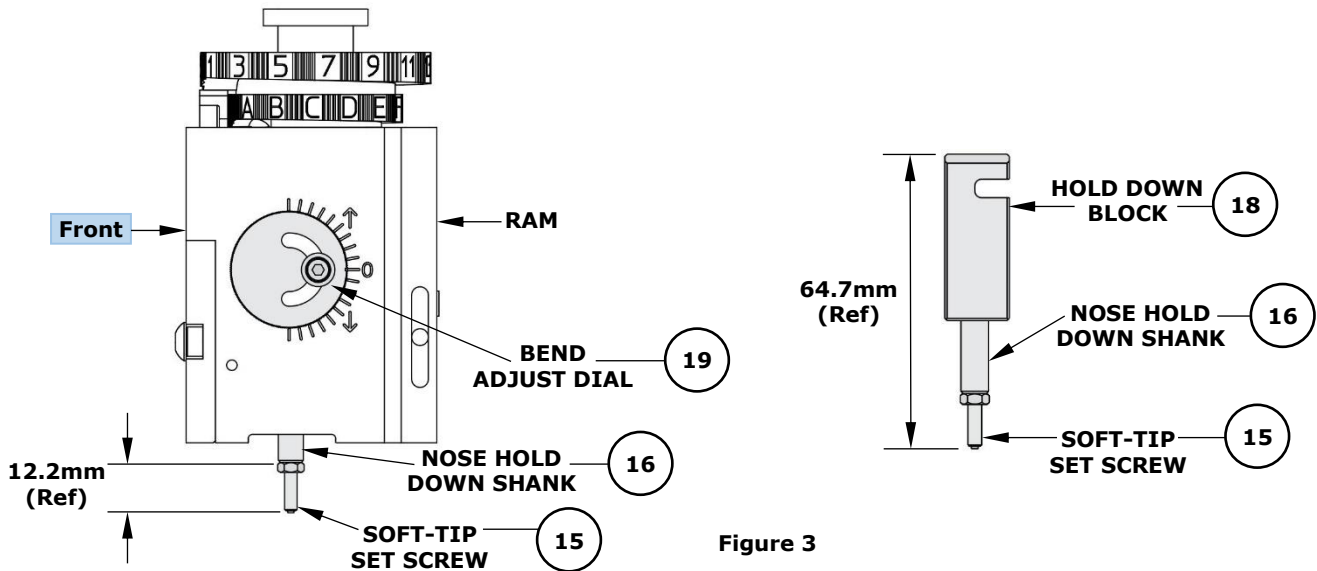


Figure 3

Note: The above dimensions were measured during setup and are included as a reference only. Additional adjustments may be required before crimping for production.

Mounting Datum Location

This applicator was assembled and tested by Molex with the mounting datum in the location shown in Figure 4. Do not remove the mounting datum.

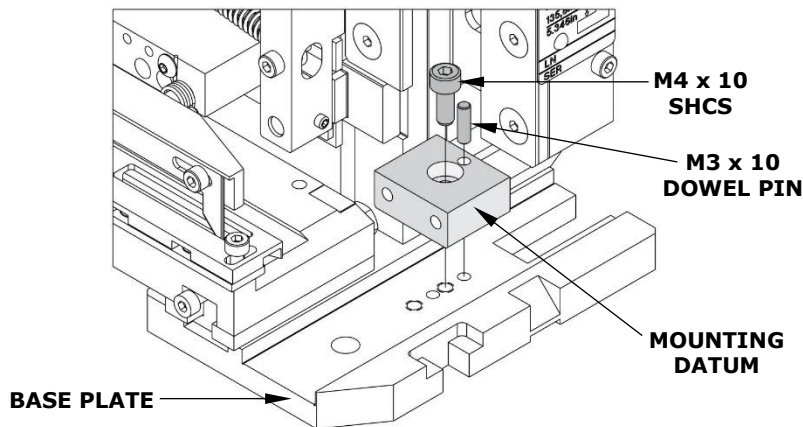


Figure 4

PNEUMATIC CONNECTION (AIR FEED)

- The pneumatic feed applicator uses a double-acting air cylinder that must be actuated by a 4-way pneumatic valve.
- The air cylinder is equipped with push-in fittings for 6mm diameter vinyl or Nylon tube. Adapters are included for 1/4" diameter and 4mm diameter vinyl or Nylon tube.

Note: The TM-3000 and TM-4000 presses have pneumatic valves with 1/4" diameter tube fittings. Be sure to install the 1/4" diameter adapters in the air cylinder fittings and use 1/4" diameter vinyl or Nylon tube.

- Pneumatic tubes must be connected as shown in Figure 5. Tubes are typically connected so the terminal feed is forward when the applicator ram is up.
- When using the TM-3000 or TM-4000 presses, connect the tubes to the press pneumatic valve as shown in Figure 6.

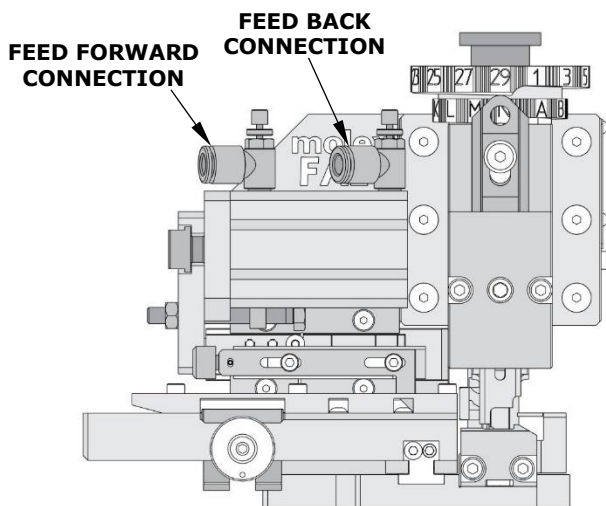


Figure 5

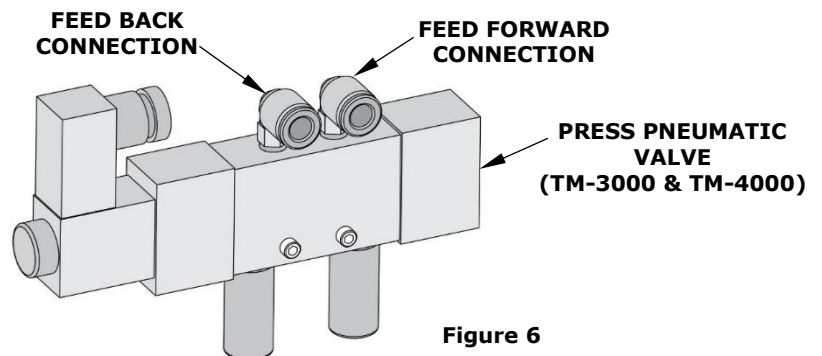


Figure 6

Application Tooling Support

E-Mail: toolingsupport@molex.com
Website: www.molex.com/applicationtooling

Molex is a registered trademark of Molex, LLC in the United States of America and may be registered in other countries; all other trademarks listed herein belong to their respective owners.