

Connector set - DC-B 6-SET-3D-M25-M-7X4-UT - 1602300

Please be informed that the data shown in this PDF Document is generated from our Online Catalog. Please find the complete data in the user's documentation. Our General Terms of Use for Downloads are valid (<http://phoenixcontact.com/download>)



Duplicon, aluminum distributor set with a basic housing (enclosed bottom), with three stackable housings with M25 cable screw connection threads (without cable screw connections), with three contact inserts 6 x 4 mm² + PE, 400/690 V, 25 A, screw connection and a housing cover, type B6, IP67 protection



Key Commercial Data

| | |
|--------------------------------------|----------|
| Packing unit | 1 pc |
| Weight per Piece (excluding packing) | 828.8 g |
| Custom tariff number | 85366990 |
| Country of origin | Germany |

Technical data

Dimensions

| | |
|--------|--------|
| Height | 151 mm |
|--------|--------|

Ambient conditions

| | |
|---------------------------------|-------------------|
| Degree of protection | IP65/IP66/IP67 |
| Ambient temperature (operation) | -40 °C ... 100 °C |

Electrical characteristics

| | |
|-----------------------|---|
| Rated voltage (III/3) | 400 V (L-PE) |
| | 690 V (L-L) |
| Rated surge voltage | 6 kV |
| Rated current | 25 A (with 4 mm ² conductor cross section) |
| Maximum load current | 32 A (L1/L2/L3) |
| Overvoltage category | III |
| Pollution degree | 3 |

Material data

| | |
|------------------|----|
| Contact material | Cu |
|------------------|----|

Connector set - DC-B 6-SET-3D-M25-M-7X4-UT - 1602300

Technical data

Material data

| | |
|------------------------------|-------------------|
| Contact surface material | Ag |
| Contact carrier material | PA |
| Housing material | Aluminum die-cast |
| Housing surface material | EMC-conductive |
| Seal material | NBR |
| Locking latch material | Stainless steel |
| Material grip body interlock | PA |

General

| | |
|---|---|
| Type | DC-B6 |
| Color | pearl gray |
| Insertion/withdrawal cycles | ≥ 100 |
| Number of positions | 6 |
| Stripping length of the individual wire | 10 mm |
| Conductor cross section | 0.2 mm ² ... 4 mm ² (6 mm ² without ferrule) |
| Connection cross section AWG | 24 ... 12 (AWG 10 without ferrule) |
| Tightening torque | 0.5 Nm ... 0.6 Nm |
| Pg screw connection | none |
| Type of the screw connection | with M25 thread |
| Cable exit | Lateral |

Standards and Regulations

| | |
|--|-----|
| Connection in acc. with standard | CUL |
| Flammability rating according to UL 94 | V0 |

Classifications

eCl@ss

| | |
|------------|----------|
| eCl@ss 4.0 | 27140816 |
| eCl@ss 4.1 | 27140816 |
| eCl@ss 5.0 | 27143424 |
| eCl@ss 5.1 | 27143424 |
| eCl@ss 6.0 | 27143424 |
| eCl@ss 7.0 | 27440209 |
| eCl@ss 8.0 | 27440202 |
| eCl@ss 9.0 | 27440202 |

Connector set - DC-B 6-SET-3D-M25-M-7X4-UT - 1602300

Classifications

ETIM

| | |
|----------|----------|
| ETIM 2.0 | EC001121 |
| ETIM 3.0 | EC000437 |
| ETIM 4.0 | EC000437 |
| ETIM 5.0 | EC000437 |

UNSPSC

| | |
|---------------|----------|
| UNSPSC 6.01 | 30211923 |
| UNSPSC 7.0901 | 39121522 |
| UNSPSC 11 | 39121522 |
| UNSPSC 12.01 | 39121522 |
| UNSPSC 13.2 | 39121522 |

Approvals

Approvals


Approvals

UL Recognized / VDE Gutachten mit Fertigungsüberwachung / cUL Recognized / EAC / cULus Recognized

Ex Approvals

Approvals submitted

Approval details

| | |
|---|-------|
| UL Recognized  | |
| mm ² /AWG/kcmil | 12 |
| Nominal current I _N | 25 A |
| Nominal voltage U _N | 600 V |

Connector set - DC-B 6-SET-3D-M25-M-7X4-UT - 1602300

Approvals

VDE Gutachten mit Fertigungsüberwachung

| | |
|--------------------------------|-------|
| Nominal current I _N | 25 A |
| Nominal voltage U _N | 690 V |

cUL Recognized

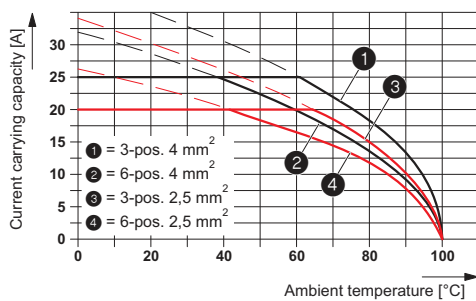
| | |
|--------------------------------|-------|
| mm ² /AWG/kcmil | 12 |
| Nominal current I _N | 25 A |
| Nominal voltage U _N | 600 V |

EAC

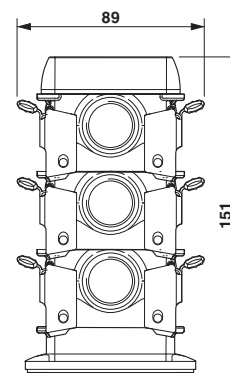
cULus Recognized

Drawings

Diagram



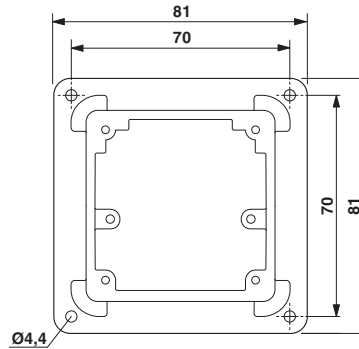
Dimensional drawing



Dimensional drawing

Connector set - DC-B 6-SET-3D-M25-M-7X4-UT - 1602300

Dimensional drawing



Dimensional drawing

Phoenix Contact 2015 © - all rights reserved
<http://www.phoenixcontact.com>