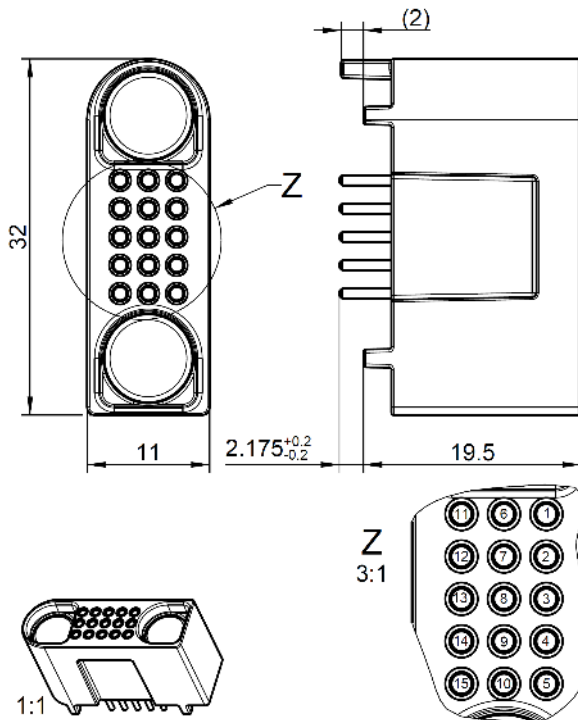


M9

MultiMag 15 Receptacle,
PCB-Connector

M9K115-400L



Belegungsplan - PCB-Kuppler
recommended face plan - straight jack pcb

Pos.	Signal/ signal
1	D4-
2	D4+
3	DC
4	TX+/D1+
5	TX-/D1-
6	DC-Power+
7	DC-Power+
8	Ground
9	DC-Power-
10	DC-Power-
11	D3-
12	D3+
13	DC
14	RX-/D2-
15	RX+/D2+

All dimensions are in mm; tolerances according to ISO 2768 m-H

General Information

Magnetic connector	
Coding	mechanical
Number and type of contacts	15 rigid pins
Soldering	THT

Interface

Mating with MultiMag 15 cable assembly

Material and Plating

Connector parts

Insulator	Material PBT
Contact	Brass
Magnets	NdFeB N52

Plating

white, similar RAL 9003
AuroDur®, gold plated
Nickel

Dieses Dokument ist urheberrechtlich geschützt • This document is protected by copyright • Rosenberger Hochfrequenztechnik GmbH & Co. KG
RF_35/09.14/6.2

M9

MultiMag 15 Receptacle,
PCB-Connector

M9K115-400L

Flammability Rating

Connector parts

Insulator

Category

uncolored raw material acc. to UL94 V-0*

*Please note that a non UL rated color batch is added

Electrical Data

Operating voltage

12 V

Operating current

max. 4.5 A

max. 1.5 A per contact

Contact resistance

typically $\leq 60 \text{ m}\Omega$

Impedance

$\sim 100 \Omega$ differential pairs

Mechanical Data

Mating cycles without load

min. 10.000

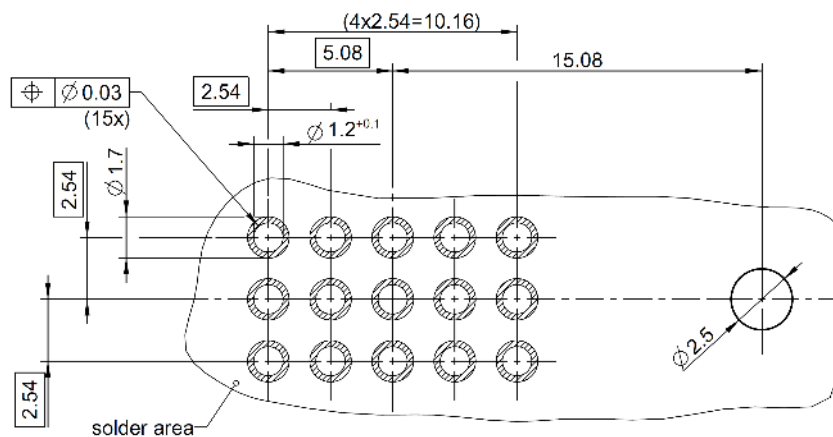
Mating cycles under load

min. 1.000

Magnetic retention force

average $\sim 14 \text{ N}$

PCB Footprint



All drill holes plated inclusive pads on the backside (pad width min. 0.2 mm)

The stated dimensions are only recommendations.

Environmental Data

Temperature range

-25 °C to +65 °C

Magnets start losing their magnetic properties above 65 °C

Chemical resistance

Isopropanol 70 %

Dieses Dokument ist urheberrechtlich geschützt • This document is protected by copyright • Rosenberger Hochfrequenztechnik GmbH & Co. KG

RF_35/09;14/6.2

M9

MultiMag 15 Receptacle,
PCB-Connector

M9K115-400L

Compliance

RoHS compliant

Packing

Standard Weight 25 pcs in blister
~ 14.9 g/pc

Caution!

Magnets can impact the function of pace makers and implantable cardioverter-defibrillators (e.g. actuation of reed switch). Keep a minimum distance of 0.2 m (20 cm) between the magnetic connector and the implanted devices to prevent malfunction and danger to health.

While the information has been carefully compiled to the best of our knowledge, nothing is intended as representation or warranty on our part and no statement herein shall be construed as recommendation to infringe existing patents. In the effort to improve our products, we reserve the right to make changes judged to be necessary.

Draft	Date	Approved	Date	Rev.	Engineering change number	Name	Date
C. Kainzmaier	07.04.15	T. Scheuerlein	07.04.17	d00	17-0541	M. Schönsmaul	07.04.17

Rosenberger Hochfrequenztechnik GmbH & Co. KG
P.O.Box 1260 D-84526 Tittmoning Germany
www.rosenberger.de

Tel. : +49 8684 18-0
Email : info@rosenberger.de

Page

3 / 3