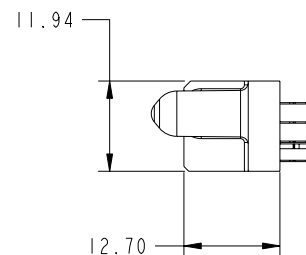
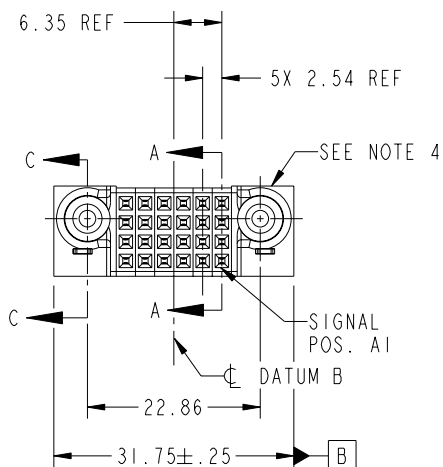


Tous droits strictement réservés. Reproduction ou communication o des tiers interdite sous quelque forme que ce soit sans autorisation écrite du propriétaire. Propriete de c FCI. Droits de reproduction FCI.



All rights strictly reserved. Reproduction or issue to third parties in any form whatever is not permitted without written authority from the proprietor. Property of FCI. Copyright FCI.

PRODUCT NO.	ROWS	SIGNAL							
		E2	6	5	4	3	2	1	E1
51940-200-- NOTE: 3	D C B A		F	F	F	F	F	F	
			F	F	F	F	F	F	
			F	F	F	F	F	F	



CODE	DIM "M" MATING LENGTH	CONTACT TYPE
F	[N/A]	SIGNAL
HA	[N/A]	HOLD-DOWN

mat'l code		SEE NOTES				tolerances unless otherwise specified		CUSTOMER		www.fciconnect.com	
ltr	ecn no.	dr	date		linear	0.X ± 0.3		COPY		title	
A	DG06-0456	JULIA	11/06/06			0.XX ± 0.13		projection		24S VERTICAL PF RECEPT	
						0.XXX ± .051				product family PwrBlade code	
					angles	0° ± 2°				size	
			dr	JULIA WANG	11/06/06			scale		A 51940-200	
			enr	RYAN YUAN	11/06/06			1:1		sheet 213	
			chr	BEER FU	11/06/06					1 of 4	
			appd	JOSEPH HSIA	11/06/06						
sheet index	revision sheet	A 1	A 2	A 3	A 4						

1 | 2

Pro/E

3 |

cage code 22526

4

PDM: Rev:A

STATUS: Released

Printed: Dec 20, 2010

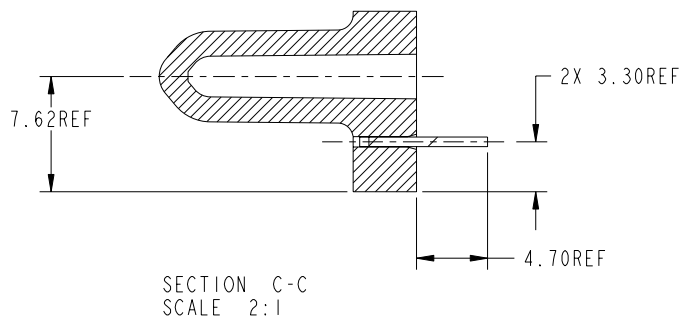
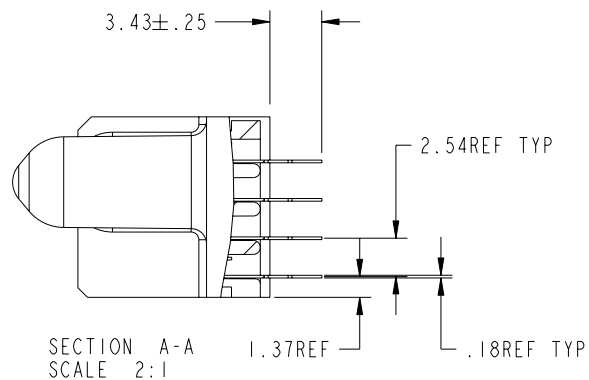
Tous droits strictement reserves. Reproduction ou communication a des tiers interdite sous quelque forme que ce soit sans autorisation ecrite du proprietaire. Propriete de c FCI. Droits de reproduction FCI.



All rights strictly reserved. Reproduction or issue to third parties in any form whatever is not permitted without written authority from the proprietor. Property of FCI. Copyright FCI.

PRODUCT NUMBER

51940-200\_\_  
NOTE: 3



mat'l code				tolerances unless otherwise specified			CUSTOMER		FCI		www.fciconnect.com		
ltr	ecm no.	dr	date	linear	0.X ± 0.3		COPY		title 24S VERTICAL PF RECEPT				
A					0.XX ± 0.13		projection						
					0.XXX ± .051								
				angles	0° ± 2°				product family		code		
				dr	JULIA WANG	11/06/06	scale 1:1		PwrBlade		213		
				enr	RYAN YUAN	11/06/06			size	dwg no	sheet		
				chr	BEER FU	11/06/06			A	51940-200	2 of 4		
				appd	JOSEPH HSIA	11/06/06							
sheet index	revision sheet												

Pro/E

cage code 22526

PDM: Rev:A

STATUS: Released

Printed: Dec 20, 2010

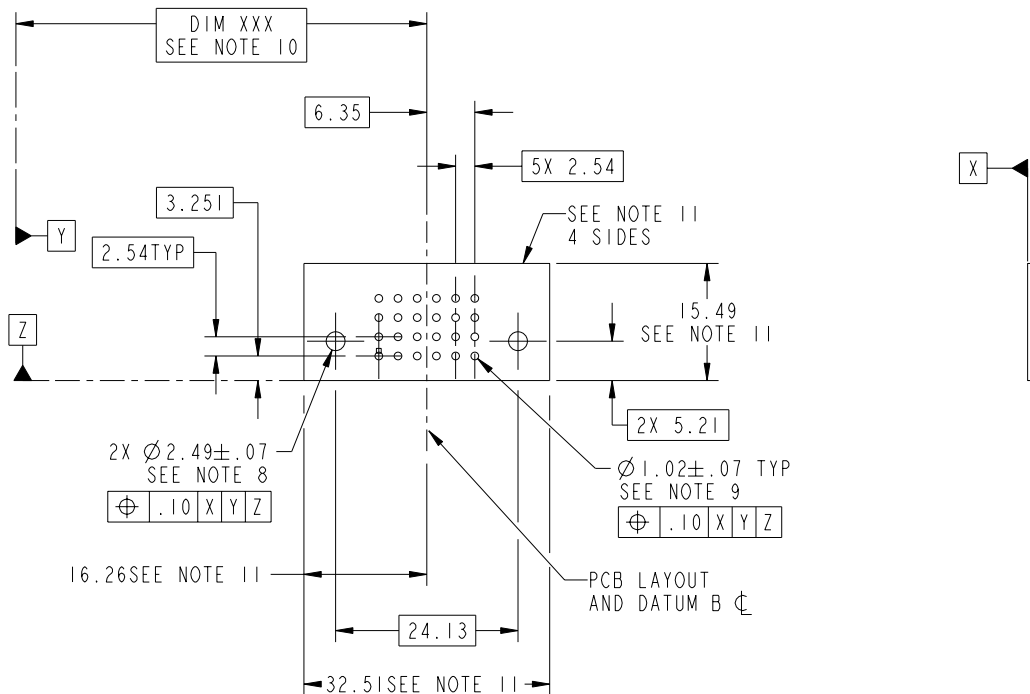
Tous droits strictement reserves. Reproduction ou communication a des tiers interdite sous quelque forme que ce soit sans autorisation ecrite du proprietaire. Propriete de c FCI. Droits de reproduction FCI.



All rights strictly reserved. Reproduction or issue to third parties in any form whatever is not permitted without written authority from the proprietor. Property of FCI. Copyright FCI.

PRODUCT NUMBER

51940-200\_\_  
NOTE: 3



mat'l code				tolerances unless otherwise specified		CUSTOMER	FCI www.fciconnect.com	
ltr	ecr no.	dr	date	linear	0.X ± 0.3	COPY	title	
A					0.XX ± 0.13	projection	24S VERTICAL PF RECEPT	
				angles	0.XXX ± .051		product family	
				dr	0° ± 2°	MM	PwrBlade	
				enr	JULIA WANG 11/06/06	scale 1:1	size	code
				chr	RYAN YUAN 11/06/06		dwg no	213
				appd	BEER FU 11/06/06		A	51940-200
					JOSEPH HSIA 11/06/06		sheet	3 of 4
sheet index	revision sheet							

cage code 22526

Pro/E

PDM: Rev:A

STATUS: Released

Printed: Dec 20, 2010

Tous droits strictement réservés. Reproduction ou communication o des tiers interdite sous quelque forme que ce soit sans autorisation écrite du propriétaire. Propriété de c FCI. Droits de reproduction FCI.

All rights strictly reserved. Reproduction or issue to third parties in any form whatever is not permitted without written authority from the proprietor. Property of FCI. Copyright FCI.

PRODUCT NUMBER

51940-200\_\_  
NOTE: 3

NOTES:

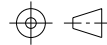


1. DIMENSIONS AND TOLERANCES ARE IN ACCORDANCE WITH ASME Y14.5M, 1994 UNLESS OTHERWISE SPECIFIED.

CONNECTOR NOTES:

- 2 HOUSING MATERIAL: UL 94 V-0 GLASS FILLED  
HIGH-TEMP THERMOPLASTIC  
POWER CONTACT MATERIAL: COPPER ALLOY  
SIGNAL PIN MATERIAL: COPPER ALLOY
- 3. PLATING SPEC.  
51940-200,51940-200LF PLATING SPEC. WAS SHOWN IN THE PRINT OF 10064183.
- 4 MANUFACTURER'S NAME, P/N, AND DATE CODE TO APPEAR ON THIS SURFACE.
- 5. PRODUCT SPECIFICATION GS-12-149.  
APPLICATION SPECIFICATION BUS-20-067.
- 6. PACKAGED IN TRAYS.

PCB NOTES:

- 7. ALL HOLE DIAMETERS ARE FINISHED HOLE SIZE.
- 8 MOUNTING HOLES, WHERE APPLICABLE, ARE UNPLATED.
- 9  $\varnothing 1.151 \pm 0.025$  DRILLED HOLES PLATED WITH  
0.008 MIN SnPb OR Sn OVER 0.03  
TO 0.08 Cu PLATING TO ACHIEVE  
 $\varnothing 1.02 \pm .07$  HOLE.
- 10 "DIM XXX" TO BE DETERMINED BY THE CUSTOMER.
- 11 CONNECTOR KEEP-OUT ZONE.

mat'l code				tolerances unless otherwise specified			CUSTOMER		FCI		www.fciconnect.com	
ltr	ecr no.	dr	date	linear	0.X ± 0.3		COPY		title 24S VERTICAL PF RECEPT			
A					0.XX ± 0.13		projection					
					0.XXX ± .051							
				angles	0° ± 2°				product family PwrBlade code size dwg no A 51940-200 213 sheet 4 of 4			
				dr	JULIA WANG	11/06/06	MM					
				enr	RYAN YUAN	11/06/06						
				chr	BEER FU	11/06/06	scale					
				appd	JOSEPH HSIA	11/06/06	1:1					
sheet index	revision sheet											

Pro/E

cage code 22526

PDM: Rev:A

STATUS: Released

Printed: Dec 20, 2010