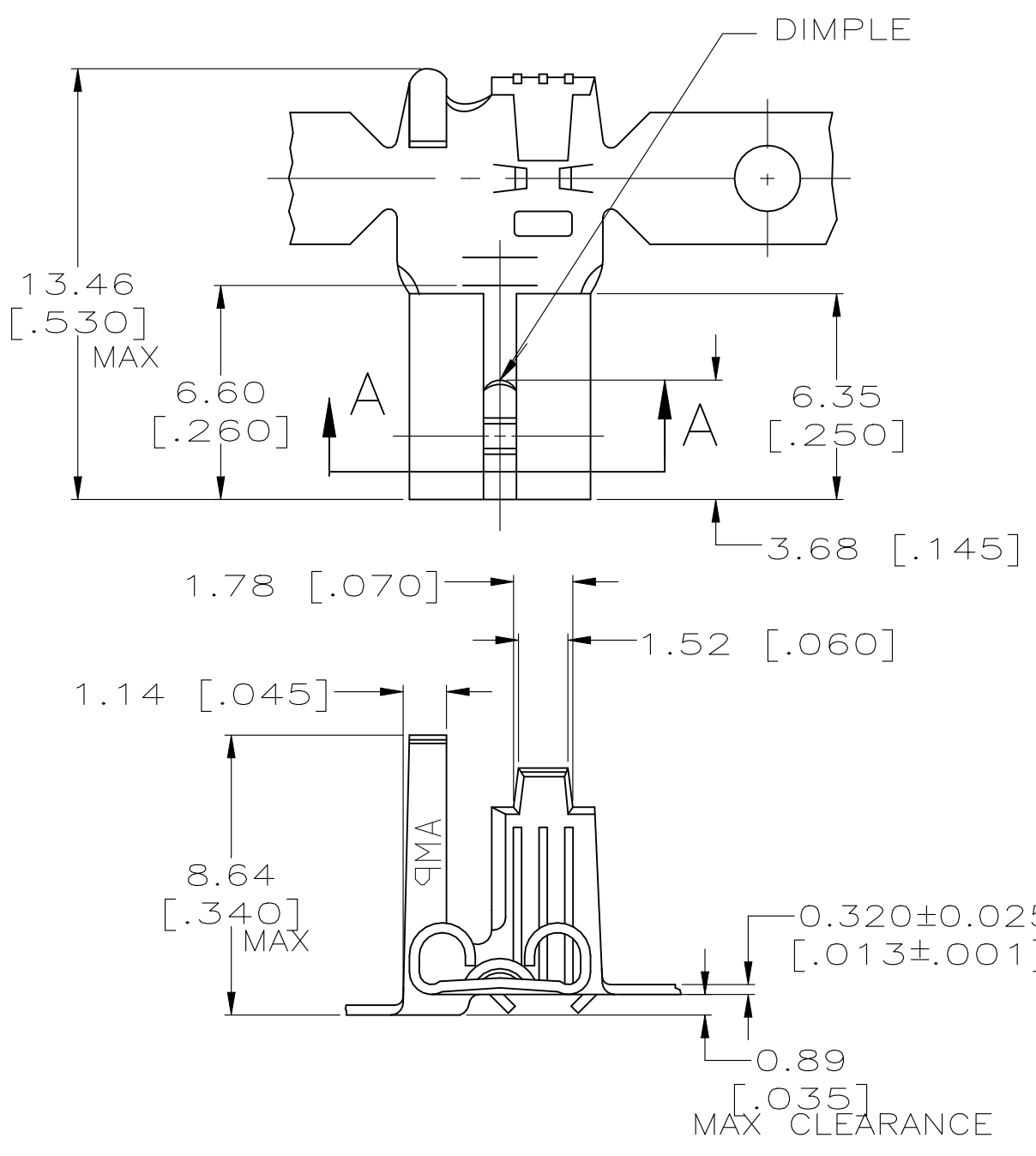


| REVISIONS | | | | | |
|-----------|-----|---------------------------|-----------|-----|------|
| P | LTR | DESCRIPTION | DATE | DWN | APVD |
| | G1 | REVISED PER ECR-19-017980 | 09DEC2021 | SS | EW |

- 1 CONTINUOUS STRIP ON REELS.
- 2 ACCEPTS [#20-#16] AWG WIRE.
- 3 INSULATION RANGE TO BE 2.79-4.32 [.110-.170] DIA.
- 4 MATING TAB THICKNESS TO BE 0.51±0.025 [.020±.001]
- 5 FEED TO BE 16.38±0.13 [.645±.005]
- △6 PREPRODUCTION - FASR REQUIRED



| | | | | |
|----------|--------|-----------------|----|----------|
| OBSOLETE | TIN | H04 PHOS BRONZE | △6 | 42618-3 |
| | TIN | BRASS | | 42618-2 |
| | - | BRASS | | 42618-1 |
| | FINISH | MATERIAL | | PART NO. |

| | | | | | | | |
|--|--|---------------------|------------|--|----------------------------|------------|---------|
| THIS DRAWING IS A CONTROLLED DOCUMENT. | | DWN | JR RUTH | 1/25/96 | STE TE Connectivity | | |
| DIMENSIONS: MM [INCHES] | | CHK | P FORTNEY | 1/25/96 | | | |
| TOLERANCES UNLESS OTHERWISE SPECIFIED: | | APVD | P DESANTIS | 1/25/96 | NAME | | |
| 0 PLC ± - | | PRODUCT SPEC | | RECEPTACLE, FASTON, FLAG, MOLDABLE, 4.75 [.187] SERIES | | | |
| 1 PLC ± - | | APPLICATION SPEC | | - | | | |
| 2 PLC ± 0.38 [.015] | | SIZE | A3 | CAGE CODE | 00779 | DRAWING NO | C-42618 |
| 3 PLC ± - | | WEIGHT | 0.000000 | RESTRICTED TO | - | | |
| 4 PLC ± - | | CUSTOMER DRAWING | | | | | |
| ANGLES ± - | | SCALE | 5:1 | SHEET | 1 OF 1 | REV | G1 |
| MATERIAL SEE TABLE | | FINISH SEE TABLE | | | | | |