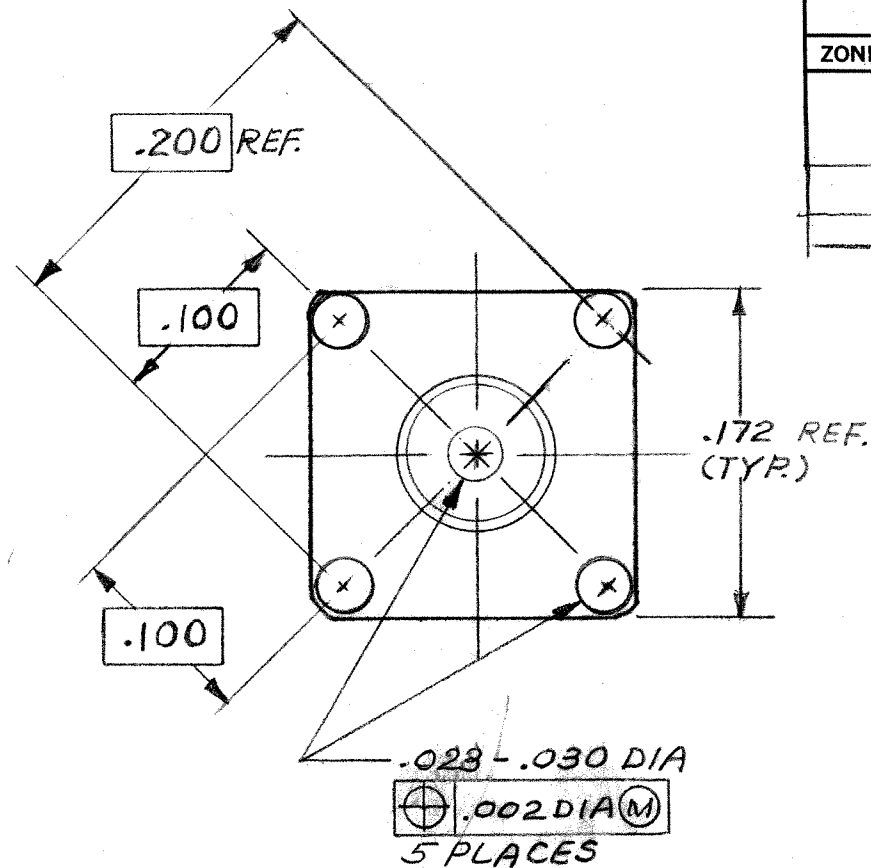
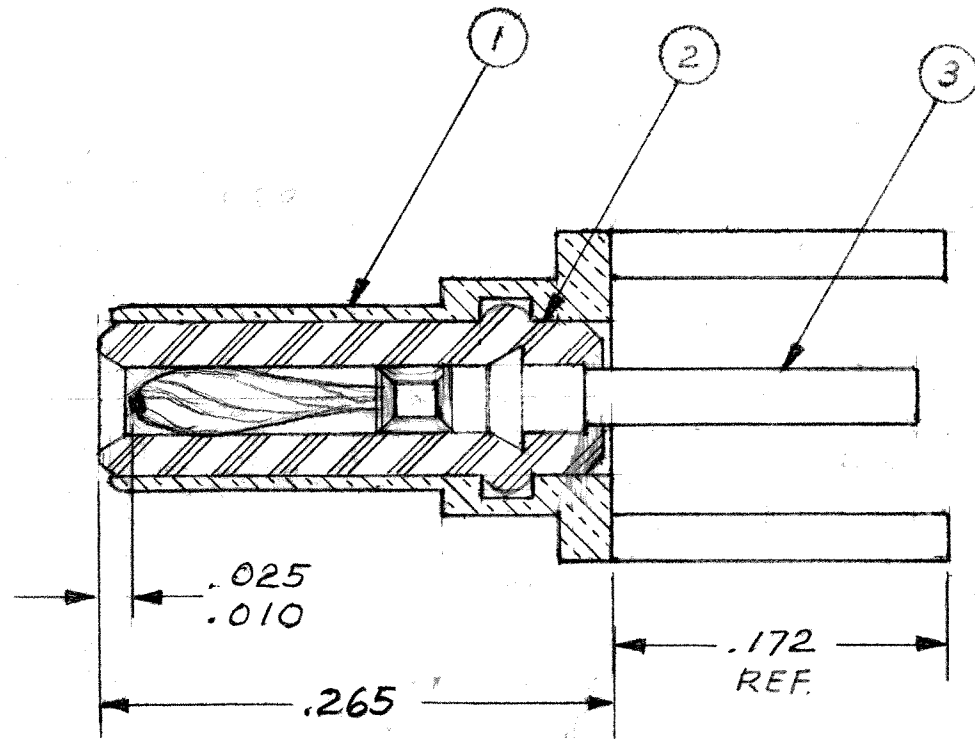


REVISIONS				
ZONE	LTR	DESCRIPTION	DATE	APPROVED
	C	REVISED & REDRAWN PER ECN 24451 EH 6/28/79 ORIGINAL RELEASE 8/18/66 BY D.M. METZ.	8-31-79	<i>hgy</i>
	D	UPDATE REV. LETTER ^{ECN} 38480	1-19-99	<i>ps</i>
	E	UPDATE REV. LETTER. (ECN 39653)	11/22/99	<i>ps</i>



Tyco Dwg 2-1532006-4
Micro P/N 141-1004-0001

NOTES:

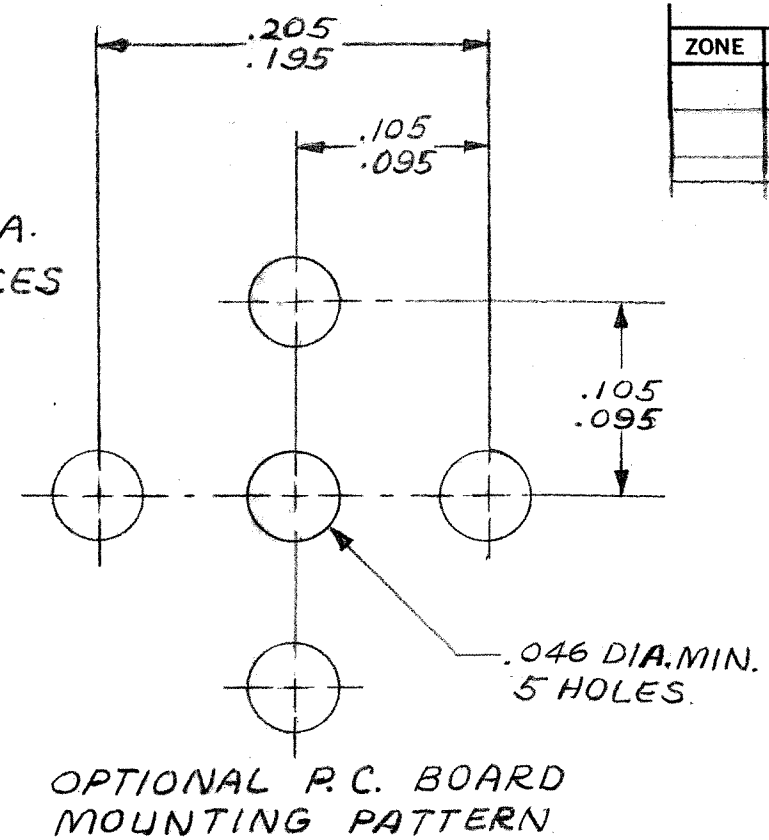
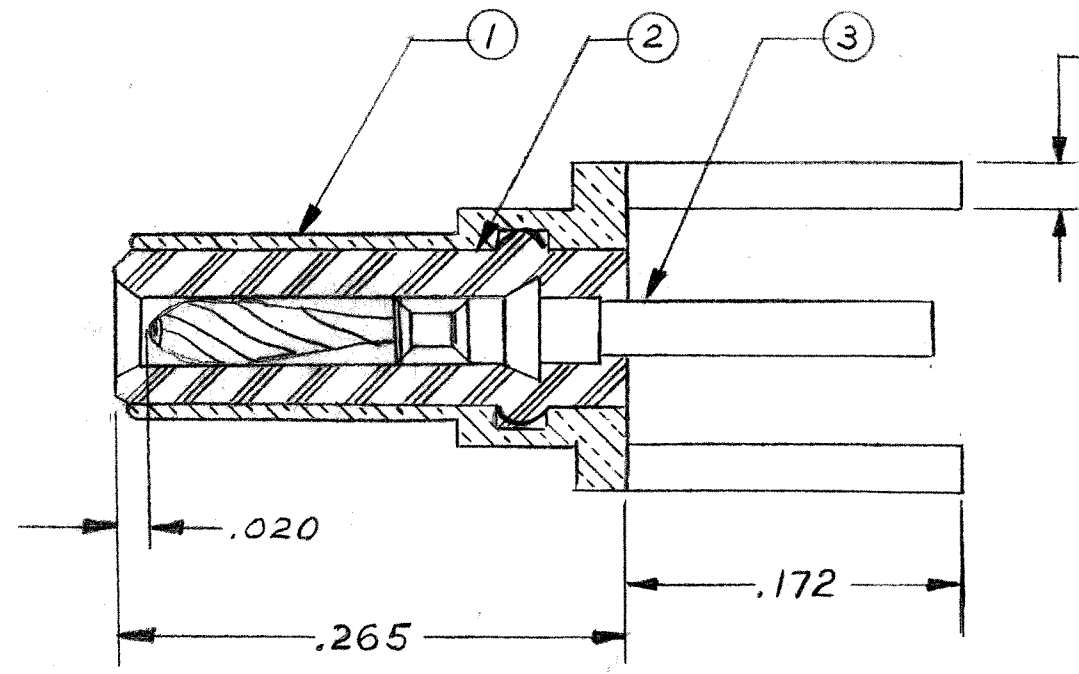
1. THIS CONNECTOR MATES WITH ALL LEPRA/CON SLIDE-ON SERIES PLUGS.

QTY	PART NO.	DESCRIPTION	MAT'L & SPEC.	ITEM NO.
1	014-0045-0000	CONTACT SLEEVE	O.F.H.C. COPPER OR LEADED COPPER	
1	098-0001-0001	PIN BUNDLE	COPPER ALLOY	
1	096-0525-0006	CONTACT SUB-ASSY		3
1	014-0044-0001	INSULATOR	TEFLON PER L-P-403	2
1	014-0043-0002	HOUSING	BRASS, QQ-B-626	1

PARTS LIST

UNLESS OTHERWISE SPECIFIED DIMENSIONS ARE IN INCHES TOLERANCES ARE: FRACTIONS DECIMALS ANGLES ± .XX ± .XXX ± .010		CONTRACT NO.		MALCO A MICRODOT COMPANY, INC. 220 PASADENA AVE., SO. PASADENA, CALIF. 91030	PROD. CODE 946 CODE M
MATERIAL NOTED		APPROVALS DRAWN <i>HSU</i>	DATE 6/28/79		
FINISH GOLD PLATE (REF)		CHECKED <i>[Signature]</i>	DATE 8-31-79	RECEPTACLE LEPRA/CON PRINTED CIRCUIT.	
NEXT ASSY		USED ON	APPROVED <i>[Signature]</i>	SIZE B	CODE IDENT NO. 98278
APPLICATION		DO NOT SCALE DRAWING	DRAWING NO. 141-1004-0001		SCALE 10X
			SHEET 1 OF 1		

ZONE	LTR	ECN	DESCRIPTION	DATE	APPROVED
C		24451	EXPANDED TO M & CD FORMAT 5H	8-31-79	[Signature]
D		38480	UPDATE REV. LETTER	1/19/99	[Signature]
E		39653	UPDATE REV. LETTER.	11/22/99	[Signature]



NOTES:
 1. ALL METAL PARTS ARE GOLD PLATED PER MIL-G-45204 TYPE II, GRADE C, CLASS I.
 2. THIS CONNECTOR MATES WITH ALL LEPRA/CON SLIDE-ON SERIES PLUGS.

2-1332006-4

QTY	PART NO	DESCRIPTION	MAT'L & SPEC.	ITEM NO.
1	014-0045-0000	CONTACT SLEEVE	Q.F.H.C. COPPER OR LEADED COPPER	
1	098-0001-0001	PIN BUNDLE	COPPER ALLOY	
1	096-0525-0006	CONTACT SUB-ASSY		3
1	014-0044-0001	INSULATOR	TEFLON PER L-P-403	2
1	014-0043-0002	HOUSING	BRASS, QQ-B-626	1

PARTS LIST

UNLESS OTHERWISE SPECIFIED DIMENSIONS ARE IN INCHES TOLERANCES ARE: FRACTIONS DECIMALS ANGLES ± .XX ± ± .XXX ± .010		CONTRACT NO.		MALCO A MICRODOT COMPANY, INC. 220 PASADENA AVE., SO. PASADENA, CALIF. 91030			
MATERIAL		APPROVALS				DATE	
FINISH		DRAWN				CHECKED	
NEXT ASSY		PR. ENG.				APPROVED	
USED ON		APPROVED		DATE			
APPLICATION		DO NOT SCALE DRAWING		RECEPTACLE LEPRA/CON PRINTED CIRCUIT			
		These drawings and specifications are the property of Microdot Inc., are issued in strict confidence and shall not be divulged, be reproduced or copied, or used as the basis for the manufacture or sale of any article without written permission of Microdot Inc.		PROD. CODE 946 CODE CD			
		SIZE B CODE IDENT NO. 98278 DRAWING NO. 141-1004-0001		SCALE 10X SHEET 1 OF 1			