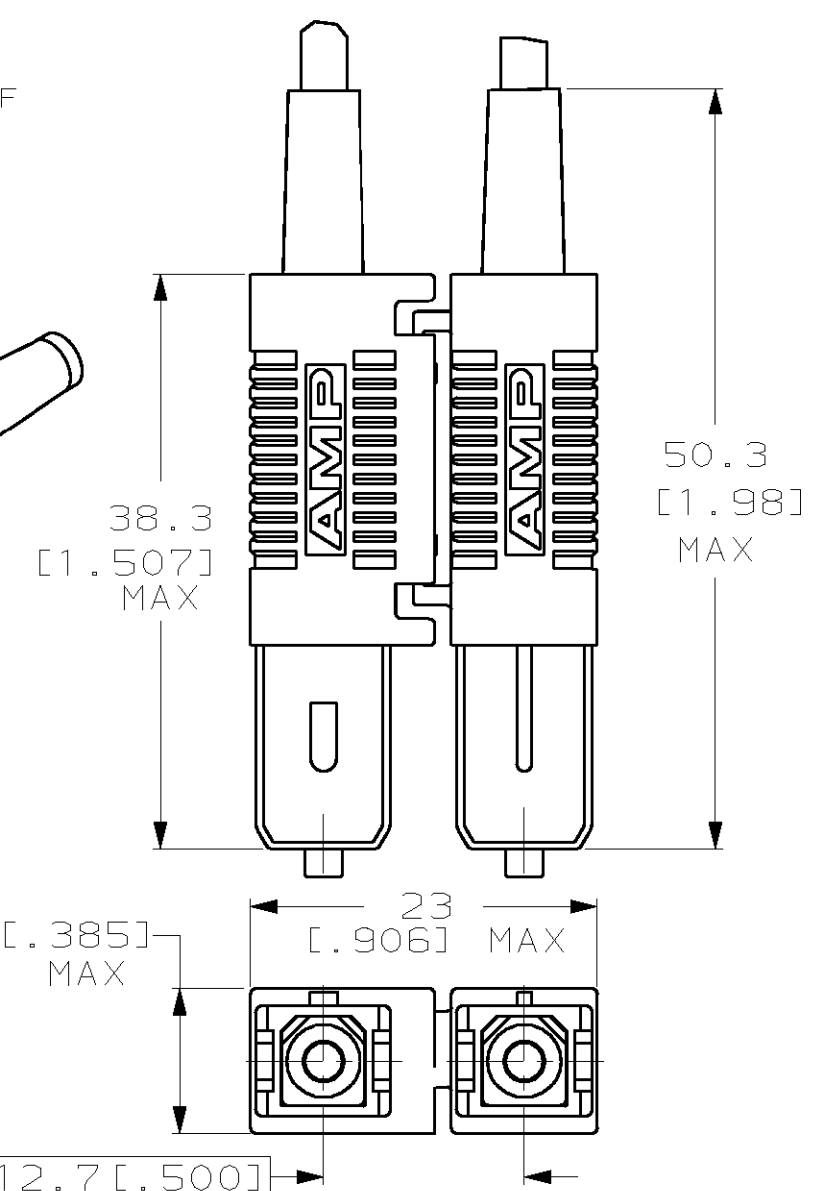
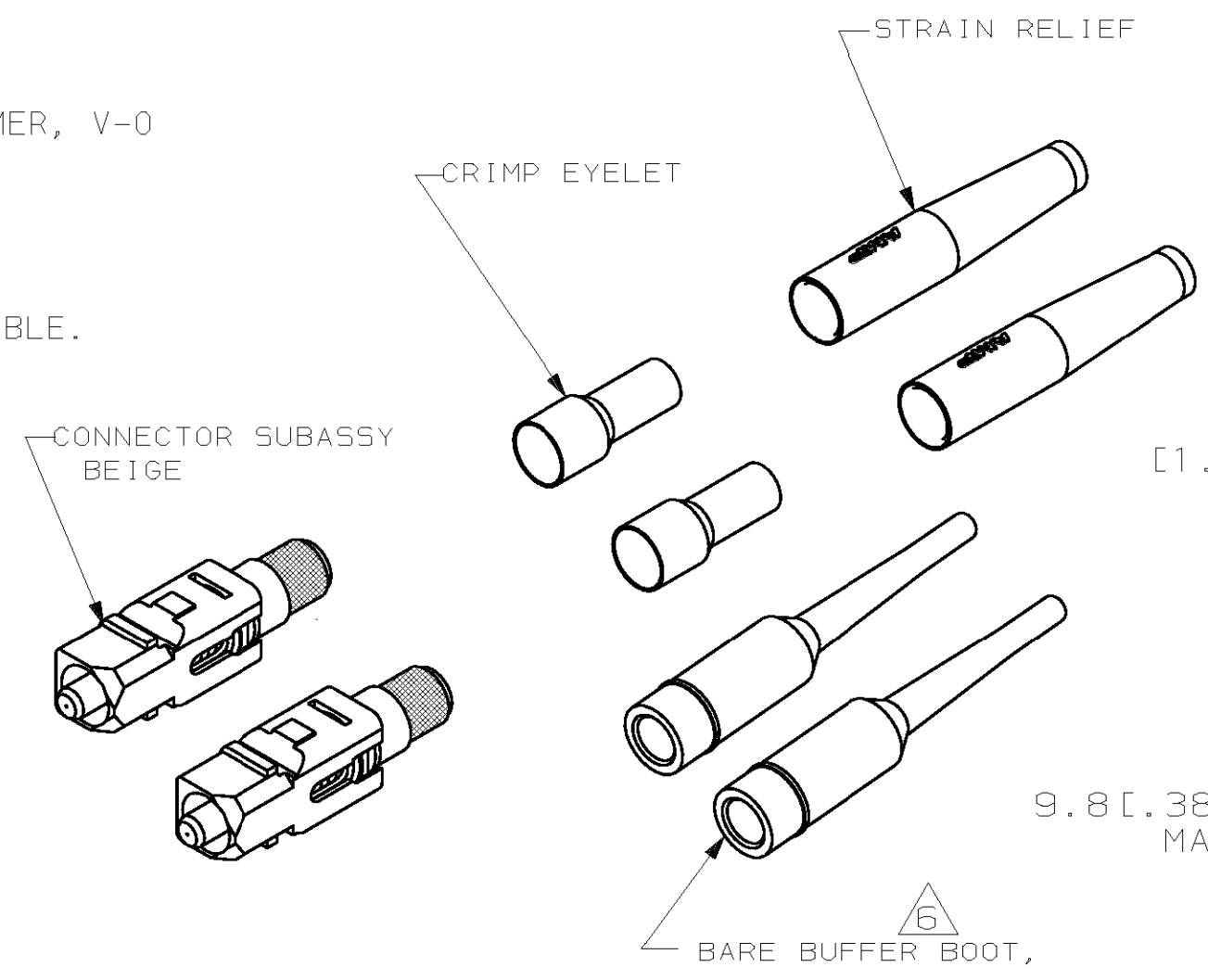
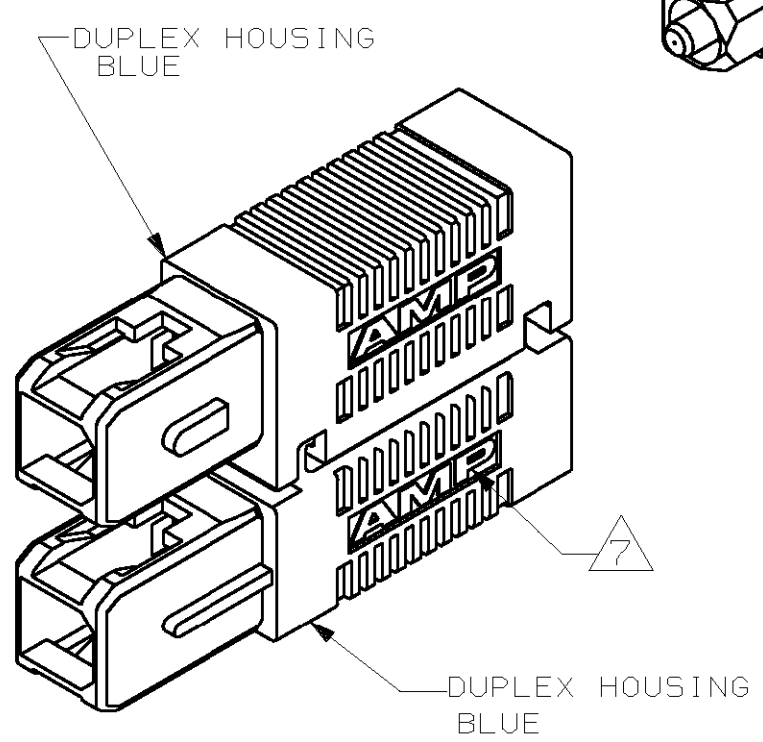


THIS DRAWING IS UNPUBLISHED. RELEASED FOR PUBLICATION .19 .
 © COPYRIGHT 19 BY AMP INCORPORATED. ALL RIGHTS RESERVED.

LOC	DIST	REVISIONS			
P	LTR	DESCRIPTION	DATE	DWN	APVD
CE	16	F	REVISED PER 0A00-0308-00	31MAY00	TA SB

- 1 MATERIAL:
 BODY: THERMOPLASTIC
 CAPILLARY: ZrO
 CRIMP EYELET: COPPER
 STRAIN RELIEF: THERMOPLASTIC ELASTOMER, V-0
- 2 FINISH:
 CRIMP EYELET: TIN
- 3 BULK PACKAGE, 500 PIECES.
- 4. FOR USE WITH 3.0mm "LOOSE-JACKETED" CABLE.
- 5 CONTAINS NO STRAIN RELIEFS OR BARE BUFFER BOOTS.
- 6 FOR USE WITH 900µm BUFFERED FIBER.
- 7 NO AMP LOGO



7 3	7 5 3	6	5 3	3	7 3	7 5 3	6	5 3	3
-	-	BLUE	-	-	-	-	BLUE	BLUE	-
126µm FERRULE	126µm FERRULE	126µm FERRULE	126µm FERRULE	126µm FERRULE	126µm FERRULE	126µm FERRULE	126µm FERRULE	126µm FERRULE	126µm FERRULE
504655-6	504655-5	504655-4	504655-3	504655-2	504655-1				
BUFFER BOOT COLOR		STRAIN RELIEF COLOR		DESCRIPTION		PART NUMBER			

THIS DRAWING IS A CONTROLLED DOCUMENT FOR AMP INCORPORATED. IT IS SUBJECT TO CHANGE AND THE CONTROLLING ENGINEERING ORGANIZATION SHOULD BE CONTACTED FOR THE LATEST REVISION.

DIMENSIONS: mm [INCHES]

TOLERANCES UNLESS OTHERWISE SPECIFIED:

0 PLC	±-
1 PLC	±-
2 PLC	±0.13 [.005]
3 PLC	±-
4 PLC	±-
ANGLES	±1°
FINISH	

MATERIAL 1

WEIGHT -

CUSTOMER DRAWING

DWN B BRIGGS 7-21-95
 CHK T.FAWCETT 7-21-95
 APVD D.STAKEM 7-21-95

AMP Incorporated
 Harrisburg, PA 17105-3608

AMP SC DUPLEX CONNECTOR KIT, SINGLEMODE, ONE PIECE, 3.0mm

SIZE A3 CAGE CODE 00779 DRAWING NO C-504655

SCALE 2:1 SHEET 1 OF 1 REV F