

6 5 4 3 2 1

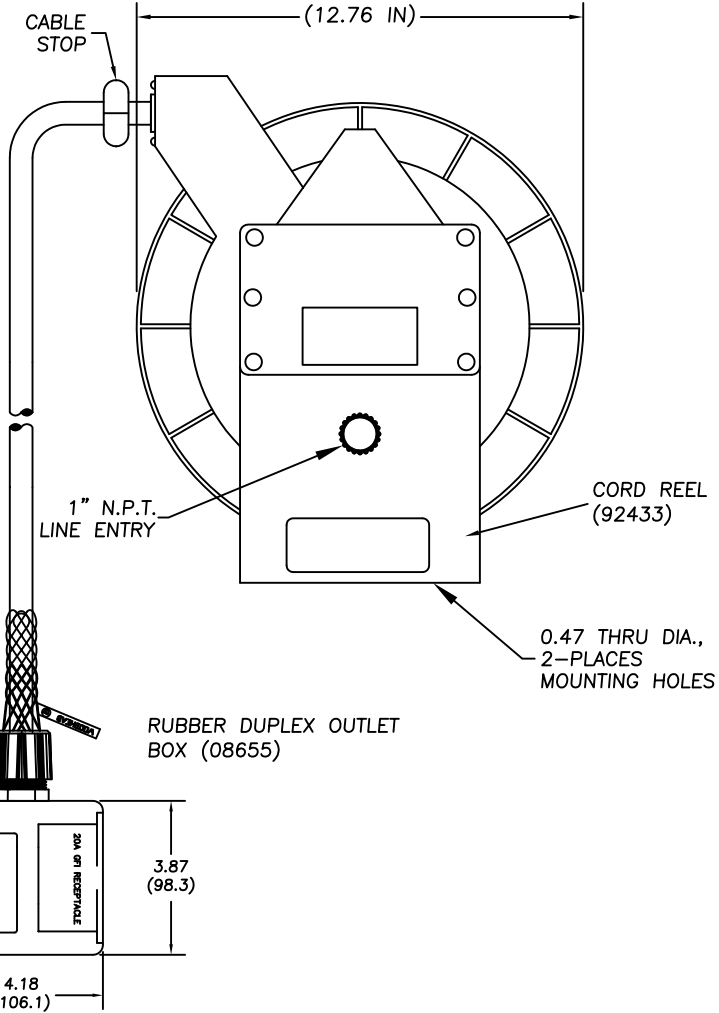
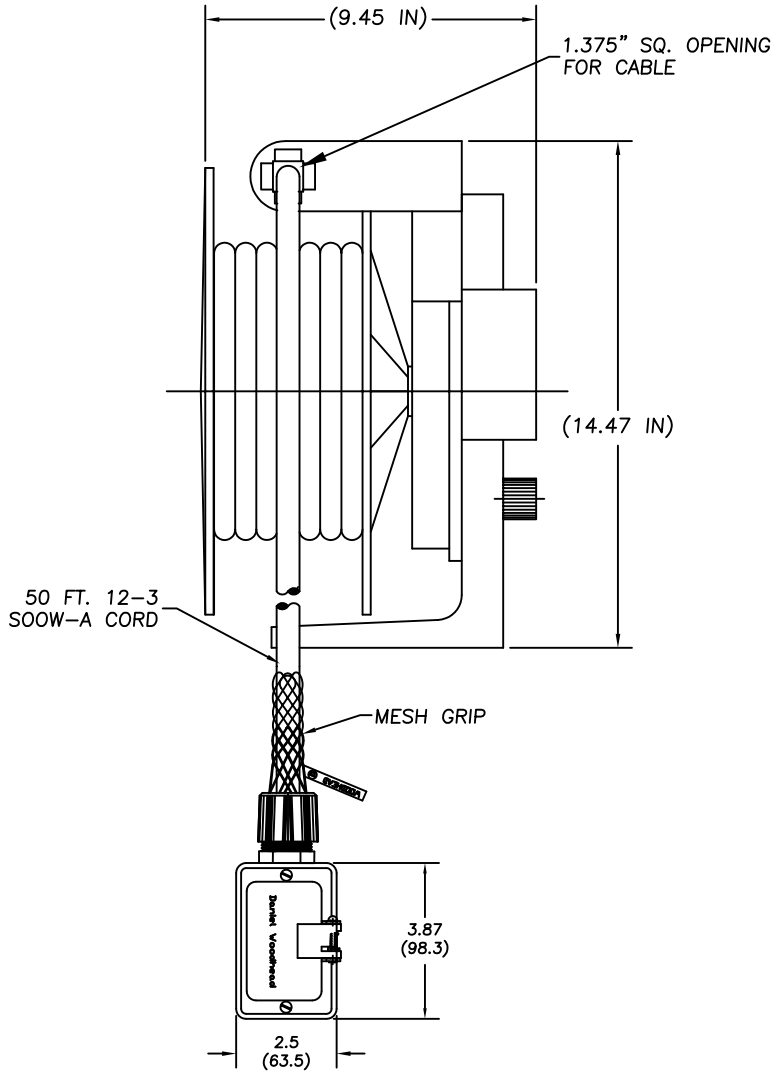
E

D

C

B

A



E

D

C

B

A

RELEASE DRAWING EC NO: WNA2010-0354 DRWN: TVICKERS 2009/12/28 CHKD: HK APPR: DTTITUS 2010/04/28	QUALITY SYMBOLS ▽=0 ▽C=0	GENERAL TOLERANCES (UNLESS SPECIFIED)		DIMENSION STYLE INCH(MM)		SCALE NTS	DESIGN UNITS INCH	THIRD ANGLE PROJECTION		
			mm	INCH	DRAWN BY	DATE	TITLE			
		4 PLACES	±---	±---	CHKD BY	DATE	92433 CABLE REEL W/3080-GFI20 BOX & MESH GRIP			
		3 PLACES	±---	±.005	HK	2010/01/29				
		2 PLACES	±0.13	±.010	APPROVED BY	DATE	MOLEX INCORPORATED			
1 PLACE	±0.25	±.020	DTITUS	2010/04/27						
ANGULAR ±.5°		DRAFT WHERE APPLICABLE MUST REMAIN WITHIN DIMENSIONS		MATERIAL NO.	1300830888	DOCUMENT NO.	SD-130083-017	SHEET NO. 1 OF 1		
A	REV	SIZE A		THIS DRAWING CONTAINS INFORMATION THAT IS PROPRIETARY TO MOLEX INCORPORATED AND SHOULD NOT BE USED WITHOUT WRITTEN PERMISSION						

6 5 4 3 2 1