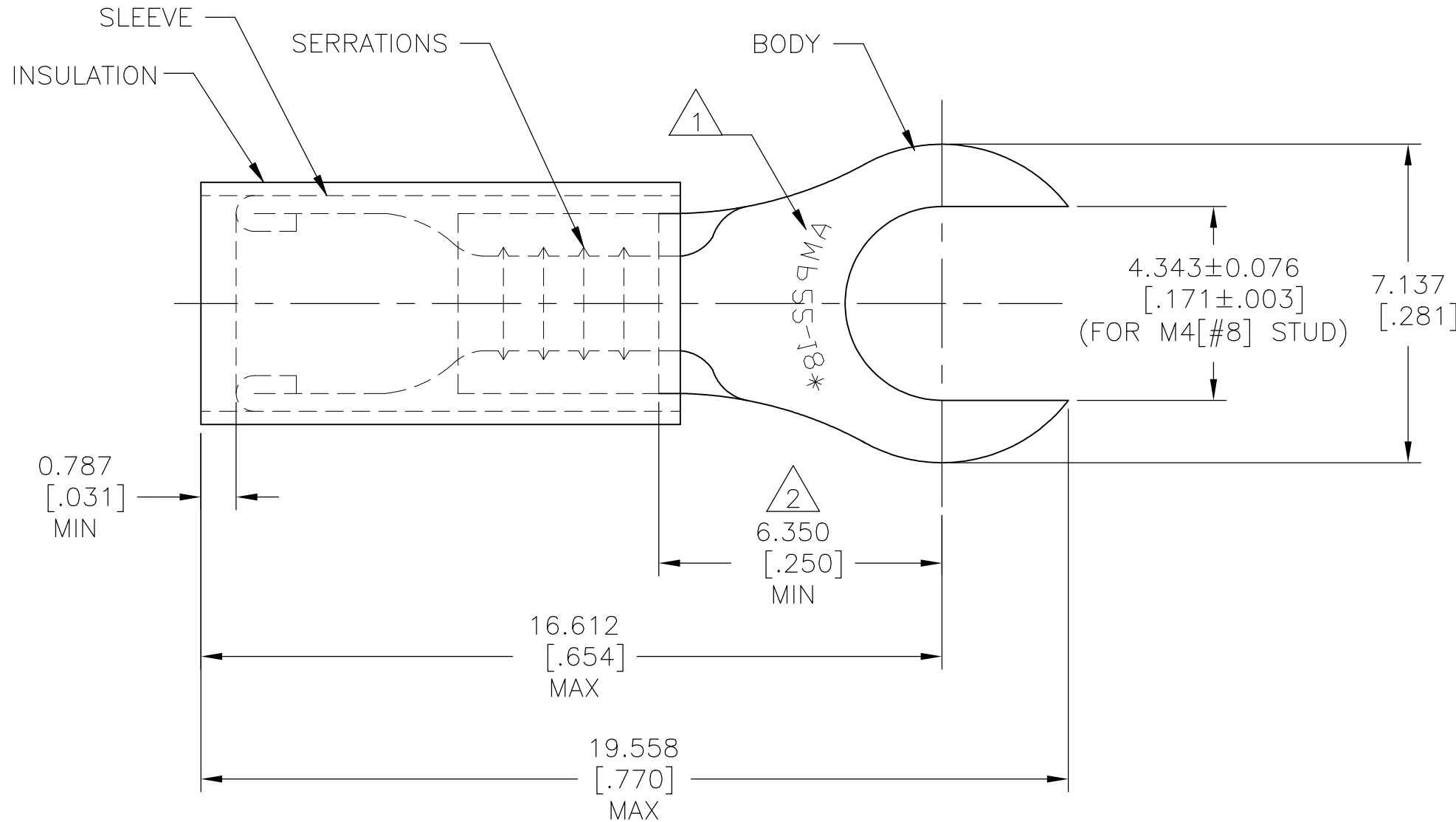


REVISIONS					
P	LTR	DESCRIPTION	DATE	DWN	APVD
	K2	REVISED PER ECO-17-008114	08JUN2018	RS	DR

AMP WIRE RANGE	E13288 Listed	LR7189 Certified
22-16 AWG SOLID OR STRANDED	22-16 AWG SOLID OR STRANDED	22-16 AWG SOLID OR STRANDED



- 1 MARKING 22-18 FOR MILITARY COMMERCIAL RANGE 22-16
- 2 APPLIES FROM EDGE OF METAL WIRE BARREL TO CENTER OF STUD HOLE
- 3 FOR 2.667 TO 3.556 [.105 TO .140] WIRE INSULATION DIA
- 4 BODY MATERIAL THK: 0.787±0.051 [.031±.002]
- 5 MATERIAL:
BODY & SLEEVE: COPPER PER ASTM B152
INSULATION: NYLON
- 6 FINISH:
BODY & SLEEVE TIN PLATE PER ASTM B545
0.00254 [.000100]
INSULATION: COLOR - RED

100	LOOSE PC, BOX	8-36954-1
1000	LOOSE PIECE	36954
QTY	DESCRIPTION	PART NO

AMP INCORPORATED
CUSTOMER SERVICE SYSTEMS

THIS DRAWING IS A CONTROLLED DOCUMENT.

DWN	08JUN2018
RAVI S	
CHK	08JUN2018
ROHDE DANIEL	
APVD	08JUN2018
ROHDE DANIEL	



FOR ADDITIONAL PRODUCT INFORMATION OR COPIES OF DRAWINGS AND TECHNICAL DOCUMENTS	PRODUCT INFORMATION CENTER 1-800-522-6752
FOR APPLICATION TOOLING INFORMATION	TOOLING ASSISTANCE CENTER 1-800-722-1111
FOR ORDER ENTRY	1-800-526-5142

MAX RECOMMENDED OPERATING TEMPERATURE: 105°C [221°F]
VOLTAGE RATING: 300 V MAX
WIRE CROSS SECTIONAL AREA RANGE, 0.26-1.65mm²[509-3,260] CIR MILS SOLID OR STRANDED

DIMENSIONS: mm [INCHES]	TOLERANCES UNLESS OTHERWISE SPECIFIED:
	0 PLC ± -
	1 PLC ± -
	2 PLC ± -
	3 PLC ± 0.127[.005]
	4 PLC ± -
	ANGLES ± 5°
MATERIAL	FINISH
5	6

NAME	WIRE TERMINAL
PRODUCT SPEC	P.I.D.G. - RING TONGUE
APPLICATION SPEC	WIRE SIZE: 22-16 AWG
114-2157	
WEIGHT	
CUSTOMER DRAWING	

SIZE	CAGE CODE	DRAWING NO	RESTRICTED TO
A3	00779	C-36954	-
SCALE	SHEET	REV	
NTS	1 OF 1	K2	