

CC1,5-TS-2,50F K/L AU - Crimp contact



1029392

<https://www.phoenixcontact.com/us/products/1029392>

Please be informed that the data shown in this PDF document is generated from our online catalog. Please find the complete data in the user documentation. Our general terms of use for downloads are valid.



Crimp contact, contact diameter: 1.5 mm, turned, Socket, contact material: CuZn, contact surface: Ni/Au, connection cross section: 2.5 mm² ... 2.5 mm², AWG 14 ... 14

Commercial data

Item number	1029392
Packing unit	1 pc
Minimum order quantity	100 pc
Sales key	BF34
Product key	BF2CJB
Catalog page	Page 278 (C-2-2019)
GTIN	4055626530864
Weight per piece (including packing)	0.468 g
Weight per piece (excluding packing)	0.468 g
Customs tariff number	85366990
Country of origin	DE

CC1,5-TS-2,50F K/L AU - Crimp contact



1029392

<https://www.phoenixcontact.com/us/products/1029392>

Technical data

Mounting

Mounting type	Snap in
Connection method	Crimp connection

Product properties

Product type	Crimp contact
Type	Individual female contact
Contact material type	turned

Connection data

Connection method	Crimp connection
Contact connection type	Socket
Connection technology	Crimp connection
Conductor cross section	2.5 mm ² ... 2.5 mm ² (flexible)
Connection cross section AWG	14 ... 14 (flexible)
Conductor cross section flexible	2.5 mm ² ... 2.5 mm ²
Conductor cross section AWG	14 ...

Material specifications

Contact material	CuZn
Contact surface material	Ni/Au

Dimensions

Mechanical characteristics

Contact diameter	1.5 mm
------------------	--------

Mechanical properties

Mechanical data

Insertion/withdrawal cycles	≥ 100
-----------------------------	-------

Environmental and real-life conditions

Ambient conditions

Ambient temperature (operation)	-40 °C ... 85 °C
---------------------------------	------------------

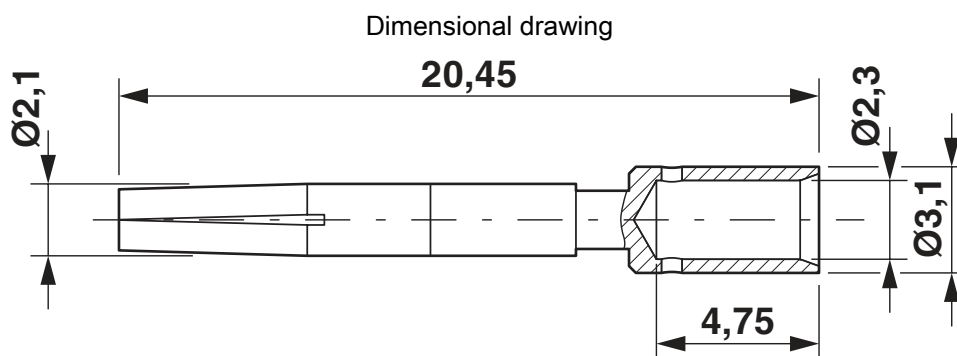
CC1,5-TS-2,50F K/L AU - Crimp contact



1029392

<https://www.phoenixcontact.com/us/products/1029392>

Drawings



Crimp contact, diameter: 1.5 mm

CC1,5-TS-2,50F K/L AU - Crimp contact



1029392

<https://www.phoenixcontact.com/us/products/1029392>

Classifications

ECLASS

ECLASS-11.0	27440204
ECLASS-12.0	27440204
ECLASS-13.0	27440204

ETIM

ETIM 8.0	EC000796
----------	----------

UNSPSC

UNSPSC 21.0	39121500
-------------	----------

CC1,5-TS-2,50F K/L AU - Crimp contact



1029392

<https://www.phoenixcontact.com/us/products/1029392>

Environmental product compliance

China RoHS	Environmentally friendly use period: unlimited = EFUP-e
	No hazardous substances above threshold values

CC1,5-TS-2,50F K/L AU - Crimp contact

1029392

<https://www.phoenixcontact.com/us/products/1029392>



Mandatory accessories

CRIMPFOX-TC MP-6 - Crimping pliers with digital display

1202888

<https://www.phoenixcontact.com/us/products/1202888>



Crimping tool, for turned contacts, universal cross-section setting, up to a maximum of 6.0 mm², digital display with 0.01 mm increments, pressure lock can be unlocked, positioning tool necessary as an accessory for contact positioning

Accessories

SACC-M12FSK-4PECT-CL SH - Power connector

1027476

<https://www.phoenixcontact.com/us/products/1027476>



Power connector, Power, 5-position, shielded, Socket straight M12, K, Crimp connection, knurl material: Zinc die-cast, tin-plated, external cable diameter 8 mm ... 13 mm, without crimp contacts, Contact 5 leading

CC1,5-TS-2,50F K/L AU - Crimp contact

1029392

<https://www.phoenixcontact.com/us/products/1029392>



SACC-M12FSL-4FECT-CL SH - Power connector

1027478

<https://www.phoenixcontact.com/us/products/1027478>



Power connector, Power, 5-position, shielded, Socket straight M12, L, Crimp connection, knurl material: Zinc die-cast, tin-plated, external cable diameter 8 mm ... 13 mm, without crimp contacts, Contact 5 leading

SACC-M12FSL-4CT-CM SH - Power connector

1027480

<https://www.phoenixcontact.com/us/products/1027480>



Power connector, Power, 4-position, shielded, Socket straight M12, L, Crimp connection, knurl material: Zinc die-cast, tin-plated, external cable diameter 8 mm ... 13 mm, without crimp contacts

CC1,5-TS-2,50F K/L AU - Crimp contact

1029392

<https://www.phoenixcontact.com/us/products/1029392>



CRIMPFOX-TC MP/LOC-1 - Spare locator

1142829

<https://www.phoenixcontact.com/us/products/1142829>

Locator for CRIMPFOX-TC MP6



WIREFOX 2,5 - Stripping tool

1212368

<https://www.phoenixcontact.com/us/products/1212368>



Stripping tool, for conductors and cables with a conductor cross section from 0.08 to 2.5 mm², self-adjusting, stripping length adjustable up to 15 mm, cutting capacity up to 6 mm² stranded/1.5 mm² solid

Phoenix Contact 2023 © - all rights reserved
<https://www.phoenixcontact.com>

Phoenix Contact USA
586 Fulling Mill Road
Middletown, PA 17057, United States
(+717) 944-1300
info@phoenixcon.com