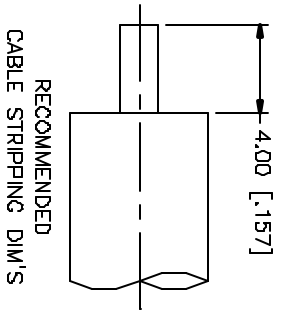
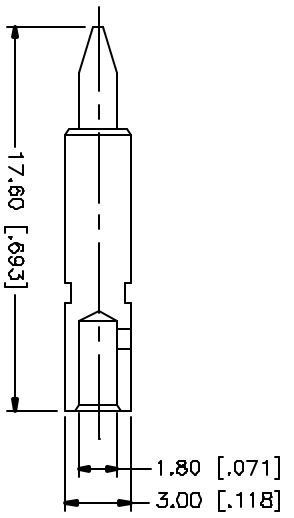
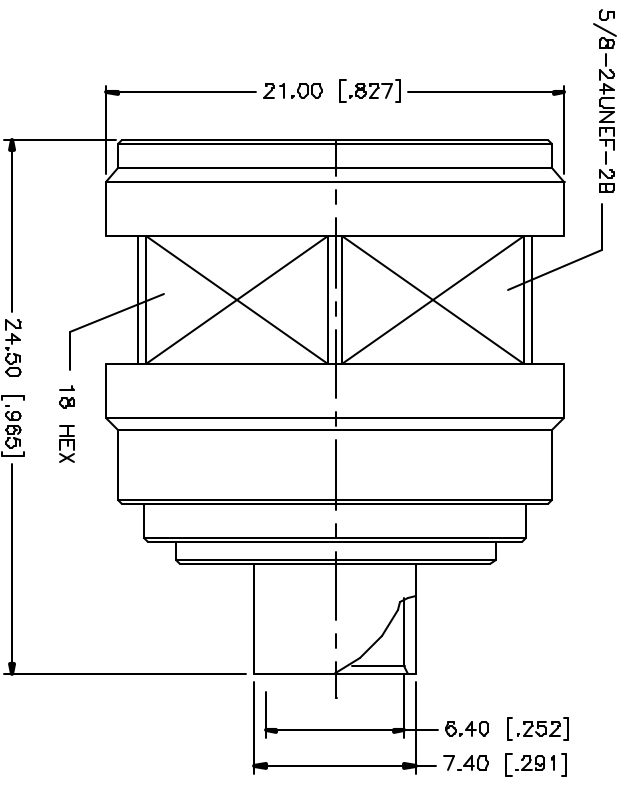


REV.	DATE	DESCRIPTION
NC	03/27/05	INITIAL RELEASE



NOTE:  
 1. CRIMPED CONTACT PIN  
 HEX CRIMP SIZE .100"  
 OR SOLDER

REV	DESCRIPTION	MATERIAL	FINISH	QTY
8				
7				
6				
5				
4	CONTACT PIN	BRASS	GOLD	1
3	INSULATOR	TEFLON	NATURAL	1
2	BARREL	BRASS	GOLD	1
1	BODY	BRASS	NEXCOTE	1
	DESCRIPTION	MATERIAL	FINISH	QTY

PARTS LISTING: LISTED MATERIALS ARE IN ALL-CAPS. DIMENSIONS IN [ ] ARE IN INCHES AND FOR CLARITY PURPOSES ONLY. TOLERANCES FOR MILLING: .015" B - .010mm ± 0.20mm 3D - .120mm ± 0.50mm	
PARTS LISTING: LISTED MATERIALS ARE IN ALL-CAPS. DIMENSIONS IN [ ] ARE IN INCHES AND FOR CLARITY PURPOSES ONLY. TOLERANCES FOR MILLING: .015" B - .010mm ± 0.20mm 3D - .120mm ± 0.50mm	
DRAWN G.R.S.	DATE 03/27/05
CHECKED	DATE
ISSUED	DATE
SHEET 1 OF 1	DATE
CAD FILE C:/172/172139-11.DWG	
DWG. NO. 172139-11.DWG	REV. NC
SIZE A	SCALE NA

<b>Amphenol Connex</b>
PART DESCRIPTION N DIRECT SOLDER PLUG (.250" SEMI-RIGID CABLE)
PART NO. 172139-11