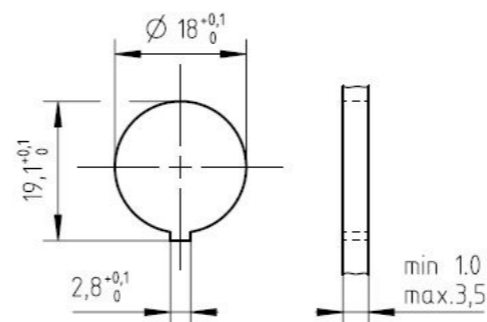


Panel cutout M1:1



* for 12,14 and 19 pol dimension is 10,0

| | | | | | | | | | | | | | | |
|---|--------------------------|--|------|----------------|----------|-----------------|------|-------------------------------|------|--------------|----------|--------------------------|------|--|
| Number of contacts | Standard | 3 | 4 | 5 | 5 | 6 | 7 | 7 | 8 | 12 | 14 | 14 | 19 | |
| Contact arrangement | IEC 61076-2-106 | 03-a | 04-a | 05-a | 05-b | 06-a | 07-a | 07-b | 08-a | 12-a | 14-a | 14-b | 19-a | |
| Contact arrangement | IEC 60130-9 ⁿ | yes | | no | | yes | | no | | yes | | | | |
| Rated voltage ²⁾ | IEC 60664-1 | 300 V (100 V) | | 300 V (63 V) | | 100 V (32 V) | | 300 V (63 V) | | 100 V (32 V) | | 150 V (32 V) 60 V (32 V) | | |
| Rated voltage | UL 1977 | 250V | | | | | | | | 60V | | | | |
| Rated impulse withstand voltage ²⁾ | IEC 60664-1 | 1500 V (1500 V) | | 1200 V (800 V) | | 1500 V (1500 V) | | 1200 V (800 V) | | | | | | |
| Pollution degree ²⁾ | IEC 60664-1 | 1 (2) | | | | | | | | | | | | |
| Installation category | IEC 60664-1 | I | | | | | | | | | | | | |
| Insulation group | IEC 60664-1 | II, 400 ≤ CTI < 600 | | | | | | | | | | | | |
| Current rating | IEC 60512-5-2 UL 1977 | 10A/+40°C | | | 7A/+40°C | | | | | | 3A/+40°C | | | |
| Insulation resistance | IEC 60512-3-1 | >10 ¹⁰ Ohm ³⁾ | | | | | | | | | | | | |
| Contact resistance | IEC 60512-2-1 | <5mOhm | | | | | | | | | | | | |
| Climatic category | IEC 60668-1 | 40 / 100 / 56 | | | | | | | | | | | | |
| Temperatur range | IEC 60668-1 | -40°C...+100°C / -40°F...+212°F | | | | | | | | | | | | |
| IP degree | IEC 60529 | IP 40 | | | | | | | | | | | | |
| Insertion and withdrawal force | IEC 60512-13-2 | 25N | 30N | 35N | 35N | 50N | 55N | 55N | 60N | 50N | 50N | 50N | 60N | |
| mechanical operation | IEC 60512-9-1 | Silver ≥500 mating cycles / Gold ≥1000 mating cycles | | | | | | | | | | | | |
| housing material | | brass and / or zinc die cast, nickel plated or thermoplast | | | | | | | | | | | | |
| dielectric material | | thermoplastic | | | | | | | | | | | | |
| contacts | | silver or gold plated | | | | | | | | | | | | |
| termination technique | | solder | | | | | | | | | | | | |
| wire gauge | | ≤0,5mm ² / 20 AWG | | | | | | ≤0,35mm ² / 22 AWG | | | | | | |
| flamability | | UL 94 V0 | | | | | | | | | | | | |
| locking system | | metal screw coupling; tightening torque 0,7 - 1,5 Nm | | | | | | | | | | | | |

| | |
|---|-----------------------|
| Gewicht (errechnet) / Calc WT: 14,089 g | Zul. Abw./Tolerances: |
| Prüfmaß / Testdimension | ISO 2768-c |
| Teileindex / Partindexnumber: | DIN / ISO 13715 |
| Bagatelle change: | |

| | |
|---------------|------------|
| Gez. Drawn | 11.10.2019 |
| Status | Released |
| Gepr. Checked | 10.02.2021 |
| | MBERTSCH |

| | | |
|-------------------------|----|--|
| Maßstab / Scale: 2:1 | A3 | |
| CUSTOMER DRAWING | | |

| | | | |
|-------|------------------------|--------------|-------|
| 04 | 202000083 | 05.11.2020 | MCARL |
| 03 | 201900002 | 11.10.2019 | MCARL |
| Index | Änderung / Description | Datum / Date | Name |

| | |
|--|--|
| Amphenol Tuchel Industrial GmbH | |
|--|--|

| | |
|--|-----------------|
| Female receptacle rear mounting | |
| M GA T 3XXX 100+118 U | Blatt / Sheet 1 |
| Ers. f. / Replacement for: M-GA T 3XXX 100 Rev02 | |

| | | | |
|---|--|-----------------|--------------|
| | 19 (19-a) | Ag | T 3693 100 U |
| | | Au | T 3693 118 U |
| | 14 (14-b) | Ag | T 3673 100 U |
| | | Au | T 3673 118 U |
| | 14 (14-a) | Ag | T 3653 100 U |
| | | Au | T 3653 118 U |
| | 12 (12-a) | Ag | T 3638 100 U |
| | | Au | T 3638 118 U |
| | 8 (08-a) | Ag | T 3507 100 U |
| | | Au | T 3507 118 U |
| | 7 (07-b) | Ag | T 3487 100 U |
| | | Au | T 3487 118 U |
| | 7 (07-a) | Ag | T 3478 100 U |
| | | Au | T 3478 118 U |
| | 6 (6-a) | Ag | T 3403 100 U |
| | | Au | T 3403 118 U |
| | 5 (05-b) | Ag | T 3359 100 U |
| | | Au | T 3359 118 U |
| | 5 (05-a) | Ag | T 3363 100 U |
| | | Au | T 3363 118 U |
| | 4 (04-a) | Ag | T 3303 100 U |
| | | Au | T 3303 118 U |
| | 3 (03-a) | Ag | T 3263 100 U |
| | | Au | T 3263 118 U |
| | 2 (Pin 1+3) | Ag | T 3203 100 U |
| | | Au | T 3203 118 U |
| Contact arrangement View on mating side | Number of contacts (Contact arrangement acc. DIN EN 61076-2-106) | contact plating | Part number |

Copying of this document and giving it to others and the use or communication of the contents thereof, are forbidden without express authority. Offenders are liable to the payment of damages. All rights are reserved in the event of the grant of a patent or the registration of the utility model or design.

Weitergabe sowie Vervielfältigung dieser Unterlage, Verwertung und Mitteilung ihres Inhalts nicht gestattet, soweit nicht ausdrücklich zugestanden. Zuwiderhandlungen verpflichten zu Schadensersatz. Alle Rechte für den Fall der Patenterteilung oder Gebrauchsmuster-Eintragung vorbehalten.

¹⁾ Edition 2000-05
²⁾ values in brackets are according to DIN EN 61076-2-106
³⁾ under operating conditions >10⁹ Ohm

Do not connect or disconnect under load Metal housing parts shall be securely incorporated to protected ground
 Remark for gold plated contacts:
 In order to avoid brittle inter-metallic connections, gold plated terminals have to be tin-plated in the solder area.
 All technical data have been measured in a laboratory environment and can be different during practical usage of the product. Any product information is for descriptive usage only and not legally binding, particularly the information does not constitute or provide any legal guaranties ("Beschaffenheitsgarantie" or "Haltbarkeitsgarantie").

FAI2020-004742
NXM-V03