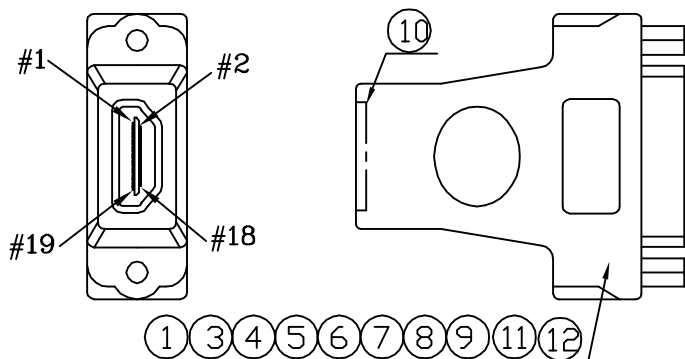
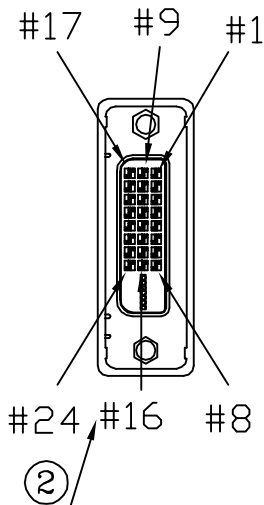


DESCRIPTION CONTROL			
REV	DESC	DATE	ECN NO
B		2011.5.10	N11105015
C		2011.11.11	N21111057

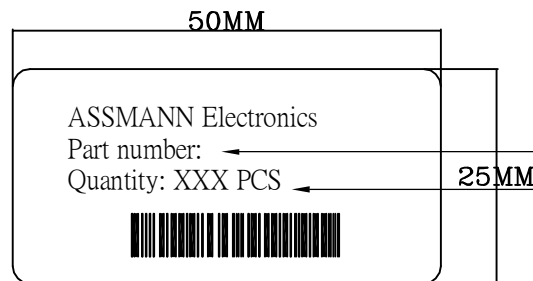
P1 <HDMI female>



P2 <DVI female>



35
RoHS
compliant



*	330010007801	LABEL:50*25MM (貼PE袋中間及紙箱兩側嘜左上角)	403/400	PCS
*	330010004079	無毒標籤:35*22MM	42/400	PCS
*	390	PE BAG:30*28*0.08MM	1/400	PCS
*	390	CARTON:46*30*20CM	1/400	PCS
*	390	PE BAG:6*8*0.06MM	1/10	PCS
*	370	PE BAG:3.5*3.5*0.06MM	1	PCS

RoHS COMPLIANT

PIN ASSIGNMENT

P1	P2
1	2
3	1
2	3
4	10
6	9
5	11
7	18
9	17
8	19
10	23
12	24
11	22
15	6
16	7
17	15
19	16
18	14
S	S

12	210	JUMP-WIRE-26#-1007	<2*20*2>*11	PCS
11	110640000120	HDMI A type Conn(Female) <奇譚P/N:005-01-00127><插板式>	1	PCS
10	370	PVC-BK10/30 (MOLDING 1 PCS HDMI HOOD)	2	G
9	370	PVC-BLACK10/50	12	G
8	370	SOL-WIRE-FULL-TIN-1.2	2.0	G
7	370	FQIL-CU:24MM	80*1	MM
6	370	HI TEAMP TAPE:W:19MM	70*1	MM
5	370	PE-5321	3.5	G
4	220	SOL-WIRE-FULL-TIN1.0	1.0	G
3	210	JUMP-WIRE-26#-1007	<2*25*2>*6	MM
2	110362025005	DVI-24+KEY-F<BLACK>/NUTS	1	PCS
1	260030000115	PCB:Y-S0002	1	PCS
NO	TYPE	DESCRIPTION	QTY	UNIT

OUTER MOLDING	AV.157	GC.HDMI-DVI143
INNER MOLDING		GC.HDMI-DVI144

ASSMANN Electronics, Inc.

	ITEM: MGHDI19252L00148	REV: C
DRAWN BY: ZHONG	SCALE: NONE	DATE:2006-10-31
CHECKED BY:	CUSTOMER: C379	PAGE: 1/1
APPROVED BY:	CUSTOMER P/N: AB 566-R	

ALL DIMENSIONS IN mm (UNLESS OTHERWISE SPECIFIED)