

1.1 Scope.

This specification covers the detail requirements for a monolithic CMOS 16×16-bit digital multiplier/accumulator integrated circuit.

1.2 Part Number.

The complete part number per Table 1 of this specification is as follows:

Device	Part Number ¹
-1	ADSP-1010AS(X)/883B
-2	ADSP-1010AT(X)/883B

NOTE

¹See paragraph 1.2.3 for package identifier.

1.2.3 Case Outline.

See Appendix 1 of General Specification ADI-M-1000: package outline:

(X)	Package	Description
D	D-64A	64-Pin DIP
E	E-68A	68-Contact LCC
G	G-68A	68-Lead Pin Grid Array

1.3 Absolute Maximum Ratings.

Supply Voltage	-0.3 V to 7 V
Input Voltage	-0.3 V to V_{DD}
Output Voltage	-0.3 V to V_{DD}
Operating Temperature Range (Ambient)	-55°C to +125°C
Storage Temperature Range	-65°C to +150°C
Lead Temperature (Soldering 10 sec)	+300°C

1.5 Thermal Characteristics.

Maximum Thermal Resistance θ_{JC} : see MIL-M-38510, Appendix C.

ADSP-1010A – SPECIFICATIONS

Parameter	Symbol	Device	Design Limit @ +25°C	Sub Group 1	Sub Group 2, 3	Sub Group 9	Sub Group 10, 11	Test Condition ¹	Units
Digital Input High Voltage	V _{IH}	-1, 2	2.0	2.0	2.0			V _{DD} = max	V min
Digital Input Low Voltage	V _{IL}	-1, 2	0.8	0.8	0.8			V _{DD} = min	V max
Digital Output High Voltage	V _{OH}	-1, 2	2.4	2.4	2.4			V _{DD} = min I _{OH} = -1 mA	V min
Digital Output Low Voltage*	V _{OL}	-1, 2	0.4	0.6	0.6			V _{DD} = min I _{OL} = +4 mA	V max
Digital Input High Current	I _{IH}	-1, 2	10	10	10			V _{DD} = max V _{IN} = +5.0 V	μA max
Digital Input Low Current	I _{IL}	-1, 2	10	10	10			V _{DD} = max V _{IN} = 0.0 V	μA max
Three-State Leakage Current Low	I _{OZL}	-1, 2	50	50	50			V _{DD} = max V _{IL} = 0 V (High Z)	μA max
Three-State Leakage Current High	I _{OZH}	-1, 2	50	50	50			V _{DD} = max V _{IH} = max (High Z)	μA max
Supply Current*	I _{DD1}	-1, 2	80	100	100			V _{DD} = max; TTL Inputs; f = max	mA max
	I _{DD2}	-1, 2	35	40	40			V _{DD} = max All V _{IN} = 2.4 V	mA max
Output Delay*	t _D	-1, 2	30			40	40 *	Note 2	ns max
Three-State Enable* (High Z to High or Low)	t _{ENA}	-1, 2	25			35	35	Notes 2 and 3	ns max
Three-State Disable* (High Z to High or Low)	t _{DIS}	-1, 2	25			35	35	Notes 2 and 3	ns max
Input Setup Time*	t _S	-1, 2	15			20	20	Note 2	ns min
Clock Pulse Width	t _{PW}	-1, 2	15			15	15	Note 2	ns min
Input Hold Time	t _H	-1, 2	3			3	3	Note 2	ns min
Multiply/Accumulate Time*	t _{MAC}	-1	85			100	100	Note 2	ns max
		-2	75			90	90		

NOTES

*Indicates that a limit for this parameter has changed from REV. D.

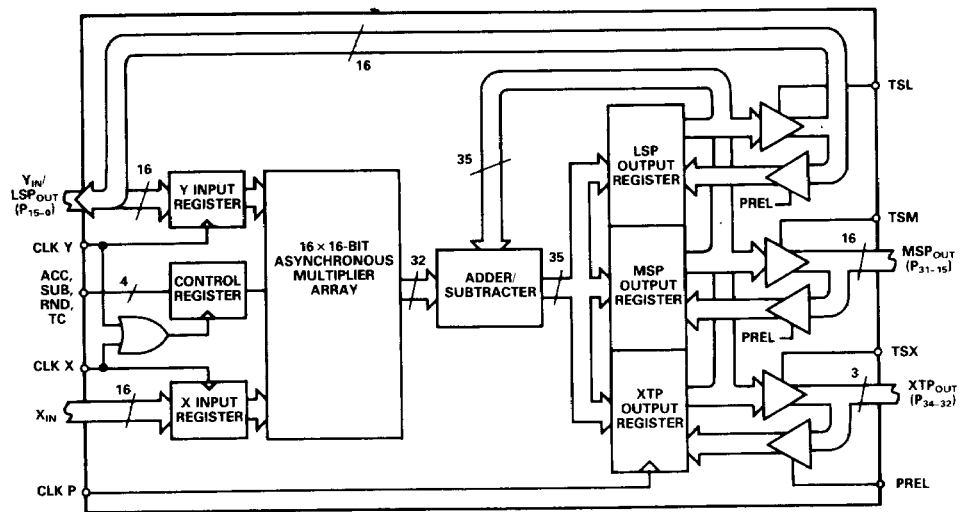
¹T_A = +25°C; V_{DD} = +4.5 V min to +5.5 V max (unless otherwise noted).

²TTL inputs of 0 V and +0.3 V; V_{DD} = +4.5 V, rise time = 5 ns, and timing transitions, per Figure 1, measured at +1.5 V (unless otherwise noted).

³Transitions measured per Figure 2.

Table 1.

3.2.1 Functional Block Diagram and Terminal Assignments.



PIN ASSIGNMENTS

D-64A Package

PIN	FUNCTION	PIN	FUNCTION
1	X6	33	P24
2	X5	34	P25
3	X4	35	P26
4	X3	36	P27
5	X2	37	P28
6	X1	38	P29
7	X0	39	P30
8	Y0, P0	40	P31
9	Y1, P1	41	P32
10	Y2, P2	42	P33
11	Y3, P3	43	P34
12	Y4, P4	44	CLK P
13	Y5, P5	45	TSM
14	Y6, P6	46	PREL
15	Y7, P7	47	TSX
16	GND	48	TC
17	Y8, P8	49	V _{DD}
18	Y9, P9	50	CLK Y
19	Y10, P10	51	CLK X
20	Y11, P11	52	ACC
21	Y12, P12	53	SUB
22	Y13, P13	54	RND
23	Y14, P14	55	TSL
24	Y15, P15	56	X15
25	P16	57	X14
26	P17	58	X13
27	P18	59	X12
28	P19	60	X11
29	P20	61	X10
30	P21	62	X9
31	P22	63	X8
32	P23	64	X7

G-68A Package

PIN	FUNCTION	PIN	FUNCTION
1	Y1, P1	35	P32
2	Y2, P2	36	P33
3	Y3, P3	37	P34
4	Y4, P4	38	CLK P
5	Y5, P5	39	TSM
6	Y6, P6	40	PREL
7	Y7, P7	41	TSX
8	GND	42	TC
9	Y8, P8	43	V _{DD}
10	Y9, P9	44	CLK Y
11	Y10, P10	45	CLK X
12	Y11, P11	46	ACC
13	Y12, P12	47	SUB
14	Y13, P13	48	RND
15	Y14, P14	49	TSL
16	Y15, P15	50	X15
17	N/C	51	N/C
18	P16	52	X14
19	P17	53	X13
20	P18	54	X12
21	P19	55	X11
22	P20	56	X10
23	P21	57	X9
24	P22	58	X8
25	P23	59	X7
26	P24	60	X6
27	P25	61	X5
28	P26	62	X4
29	P27	63	X3
30	P28	64	X2
31	P29	65	X1
32	P30	66	X0
33	P31	67	Y0, P0
34	N/C	68	N/C

E-68A Package

PIN	FUNCTION	PIN	FUNCTION
1	X6	35	P24
2	X5	36	P25
3	X4	37	P26
4	X3	38	P27
5	X2	39	P28
6	X1	40	P29
7	X0	41	P30
8	Y0, P0	42	P31
9	N/C	43	N/C
10	Y1, P1	44	P32
11	Y2, P2	45	P33
12	Y3, P3	46	P34
13	Y4, P4	47	CLK P
14	Y5, P5	48	TSM
15	Y6, P6	49	PREL
16	Y7, P7	50	TSX
17	GND	51	TC
18	Y8, P8	52	V _{DD}
19	Y9, P9	53	CLK Y
20	Y10, P10	54	CLK X
21	Y11, P11	55	ACC
22	Y12, P12	56	SUB
23	Y13, P13	57	RND
24	Y14, P14	58	TSL
25	Y15, P15	59	X15
26	N/C	60	N/C
27	P16	61	X14
28	P17	62	X13
29	P18	63	X12
30	P19	64	X11
31	P20	65	X10
32	P21	66	X9
33	P22	67	X8
34	P23	68	X7

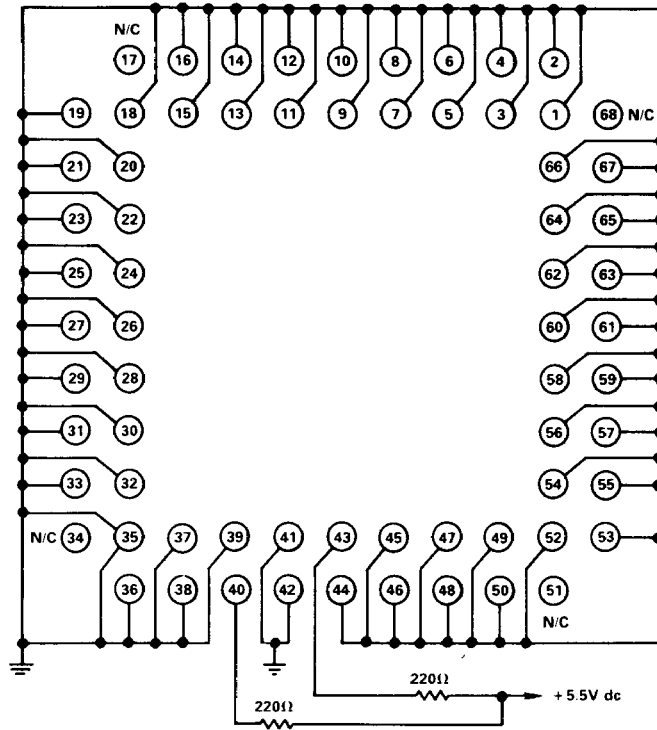
3.2.4 Microcircuit Technology Group.

This microcircuit is covered by technology group (105).

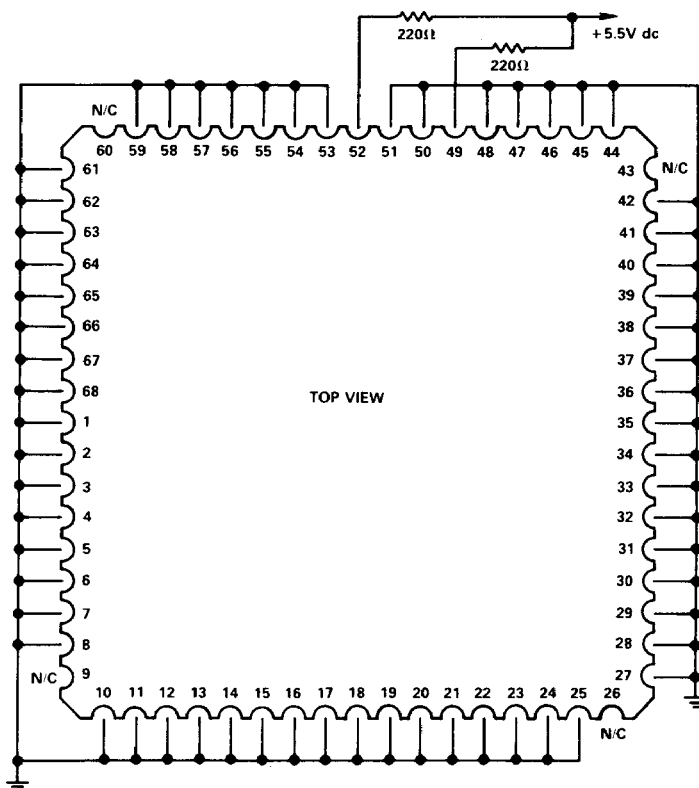
ADSP-1010A

4.2.1 Life Test/Burn-In Circuit.

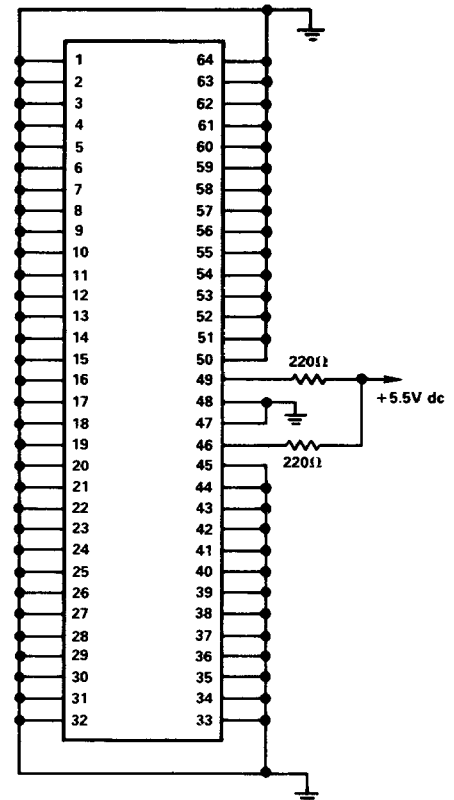
Steady state life test is per MIL-STD-883 Method 1005. Burn-in is per MIL-STD-883 Method 1015 test condition (B).



ADSP-1010AG Life Test and Burn-In Circuit



ADSP-1010AE Life Test and Burn-In Circuit



ADSP-1010AD Life Test and Burn-In Circuit

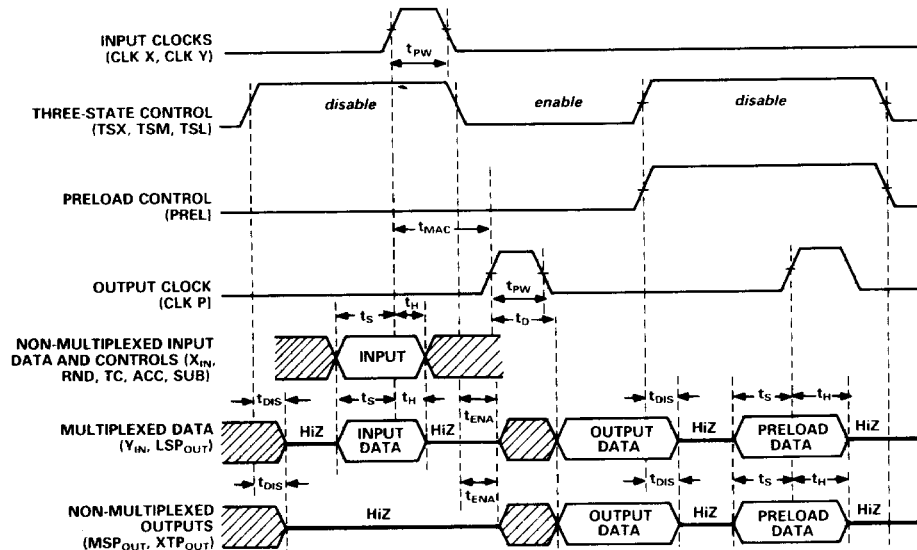


Figure 1. ADSP-1010A Timing Diagram

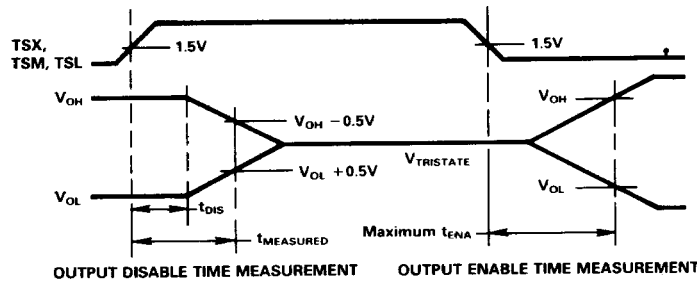


Figure 2. Three-State Disable and Enable Timing

Output disable time, t_{DIS} , is measured from the time the output enable control signal reaches 1.5 V to the time when all outputs have ceased driving. This is calculated by measuring the time, $t_{MEASURED}$, from the same starting point to when the output voltages have changed by 0.5 V toward +1.5 V. From the tester capacitive loading, C_L , and the measured current, i_L , the decay time, t_{DECAY} , can be approximated to first order by:

$$t_{DECAY} = \frac{C_L \cdot 0.5 V}{i_L}$$

from which

$$t_{DIS} = t_{MEASURED} - t_{DECAY}$$

is calculated. Disable times are longest at the highest specified temperature.

The maximum output enable time, maximum t_{ENA} , is also measured from output enable control signal at 1.5 V to the time when all outputs have reached TTL input levels (V_{OH} or V_{OL}). This could also be considered as "data valid." Maximum enable times are longest at the highest specified temperature.

ADSP-1010A

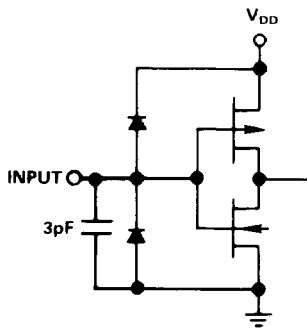


Figure 3. Equivalent Input Circuit

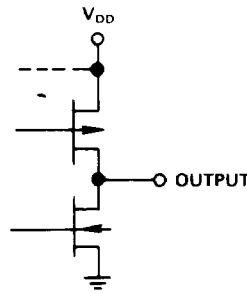


Figure 4. Equivalent Output Circuit

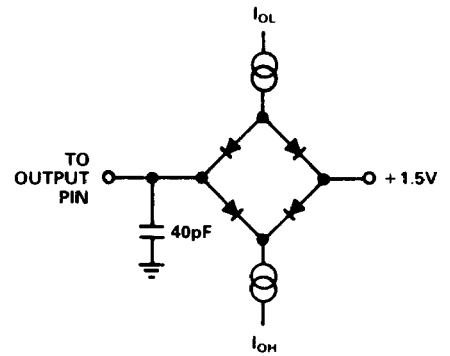


Figure 5. Normal Load Circuit for AC Measurements

ACC	SUB	Function
1	1	$Accumulator_t = X_t \cdot Y_t - Accumulator_{t-1}$
1	0	$Accumulator_t = X_t \cdot Y_t + Accumulator_{t-1}$
0	X	$Accumulator_t = X_t \cdot Y_t$

Table 2. Function Truth Table

PREL	TSX	TSM	TSL	XTP	MSP	LSP
0	0	0	0	Q	Q	Q
0	0	0	1	Q	Q	Z
0	0	1	0	Q	Z	Q
0	0	1	1	Q	Z	Z
0	1	0	0	Z	Q	Q
0	1	0	1	Z	Q	Z
0	1	1	0	Z	Z	Q
0	1	1	1	Z	Z	Z
1	0	0	0	Z	Z	Z
1	0	0	1	Z	Z	Preload
1	0	1	0	Z	Preload	Z
1	0	1	1	Z	Preload	Preload
1	1	0	0	Preload	Z	Z
1	1	0	1	Preload	Z	Preload
1	1	1	0	Preload	Preload	Z
1	1	1	1	Preload	Preload	Preload

NOTE:

Z = Output buffers at high impedance (output disabled)

Q = Output buffers at low impedance. Contents of output register will be transferred to output pins.

Preload = Output buffers at high impedance, or output disabled. Preload data (PD) supplied externally at output pins will be loaded into the output register at the rising edge of CLK P.

Table 3. Preload Truth Table