

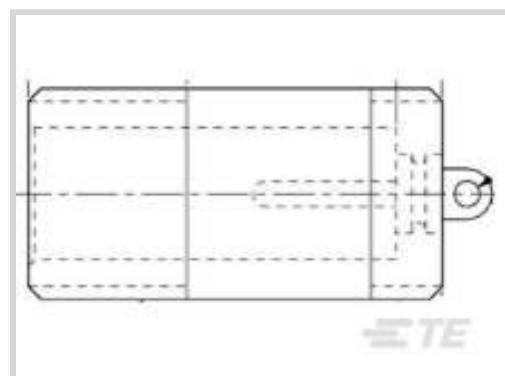
## LGH

TE Internal #: 868092-1

Standard Circular Connectors, Cable-to-Cable, 1 Position, Sealable, Wire &amp; Cable, Power &amp; Signal, Plastic, Epiall, 0 Power Positions

[View on TE.com >](#)

Connectors &gt; Circular Connectors &gt; Standard Circular Connectors

Connector System: **Cable-to-Cable**Number of Positions: **1**Sealable: **Yes**Connector & Contact Terminates To: **Wire & Cable**Contact Current Rating (Max): **10 A****Features****Product Type Features**

Prewired	No
Product Type	Connector Assembly
Accessory Color	Black
Assembly Type	Electrical Connector
Connector System	Cable-to-Cable
Sealable	Yes
Connector & Contact Terminates To	Wire & Cable
Circular Connector Type	Receptacle
Shell Type	All Plastic

**Configuration Features**

Keying & Polarized Position Locations	None
Factory Installed Backshell	Without
Number of Positions	1
Number of Power Positions	0
Number of Signal Positions	1
Contacts Preloaded	Yes

**Electrical Characteristics**

Operating Voltage	20000 VDC
-------------------	-----------



### Body Features

Environmental Protection	Without
Feedthrough Type	No
Fluid Type	Aviation Fuel, Hydraulic Fluid, Lubricating Oil, Water
Shell Base Material	Plastic
Circular Connector Insulation Material Type	EpiAll
Hermetically Sealed	No

### Contact Features

Contact Quantity (Size 16)	1
Contact Current Rating (Max)	10 A
Reverse Gender	No
Circular Connector Contact Type	Pin

### Termination Features

Termination Method to Wire & Cable	Solder
------------------------------------	--------

### Mechanical Attachment

Mating Retention Type	Threaded Coupling
Mating Alignment	Without
PCB Mount Alignment	Without
Panel Mount Feature	Without
PCB Mount Retention	Without
Panel Mount Feature Type	Screw Mount
Mating Retention	With

### Dimensions

Wire Size	1.29 – 1.42 mm <sup>2</sup>
-----------	-----------------------------

### Usage Conditions

Fluid Resistance	Immersion
Operating Temperature Range	-55 – 125 °C[-22 – 257 °F]

### Operation/Application

Durability Rating	500 Cycles
Circuit Application	Power & Signal
Shielded	No



### Packaging Features

Packaging Quantity	1
--------------------	---

### Other

Field Serviceable	Yes
-------------------	-----

### Product Compliance

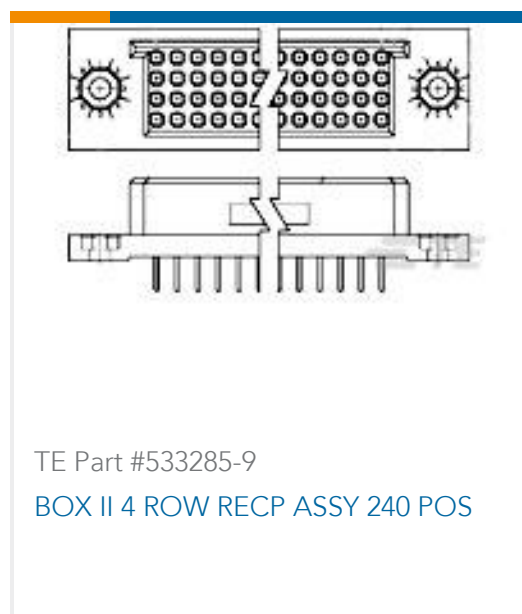
[For compliance documentation, visit the product page on TE.com>](#)

EU RoHS Directive 2011/65/EU	Compliant with Exemptions
EU ELV Directive 2000/53/EC	Compliant with Exemptions
China RoHS 2 Directive MIIT Order No 32, 2016	Restricted Materials Above Threshold
EU REACH Regulation (EC) No. 1907/2006	Current ECHA Candidate List: JUNE 2023 (235) Candidate List Declared Against: JUN 2020 (209) SVHC > Threshold: Pb (4% in Contact/Component) <b>Article Safe Usage Statements:</b> Do not eat, drink or smoke when using this product. Wash thoroughly after handling. Recycle if possible and dispose of the article by following all applicable governmental regulations relevant to your geographic location.
Halogen Content	Not Yet Reviewed for halogen content
Solder Process Capability	Not applicable for solder process capability

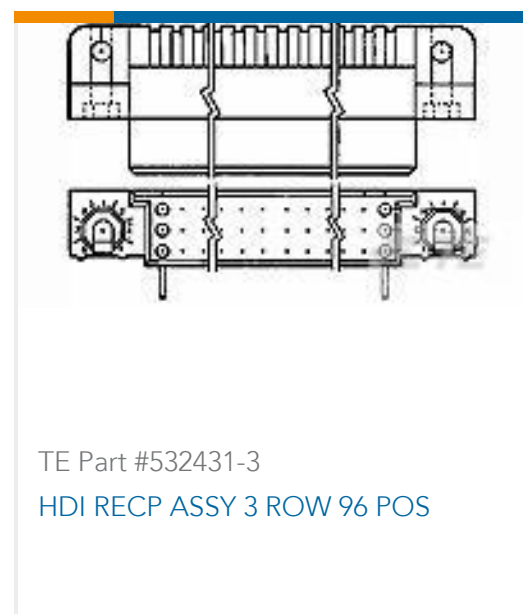
#### Product Compliance Disclaimer

This information is provided based on reasonable inquiry of our suppliers and represents our current actual knowledge based on the information they provided. This information is subject to change. The part numbers that TE has identified as EU RoHS compliant have a maximum concentration of 0.1% by weight in homogenous materials for lead, hexavalent chromium, mercury, PBB, PBDE, DBP, BBP, DEHP, DIBP, and 0.01% for cadmium, or qualify for an exemption to these limits as defined in the Annexes of Directive 2011/65/EU (RoHS2). Finished electrical and electronic equipment products will be CE marked as required by Directive 2011/65/EU. Components may not be CE marked. Additionally, the part numbers that TE has identified as EU ELV compliant have a maximum concentration of 0.1% by weight in homogenous materials for lead, hexavalent chromium, and mercury, and 0.01% for cadmium, or qualify for an exemption to these limits as defined in the Annexes of Directive 2000/53/EC (ELV). Regarding the REACH Regulation, the information TE provides on SVHC in articles for this part number is based on the latest European Chemicals Agency (ECHA) 'Guidance on requirements for substances in articles' posted at this URL: <https://echa.europa.eu/guidance-documents/guidance-on-reach>

### Customers Also Bought



TE Part #533285-9  
BOX II 4 ROW RECP ASSY 240 POS



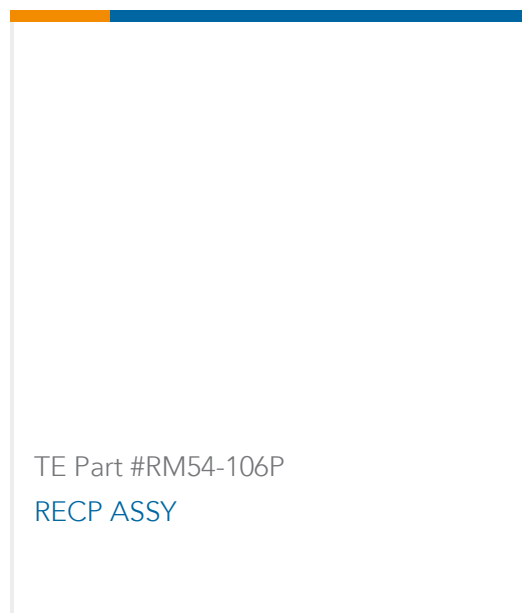
TE Part #532431-3  
HDI RECP ASSY 3 ROW 96 POS



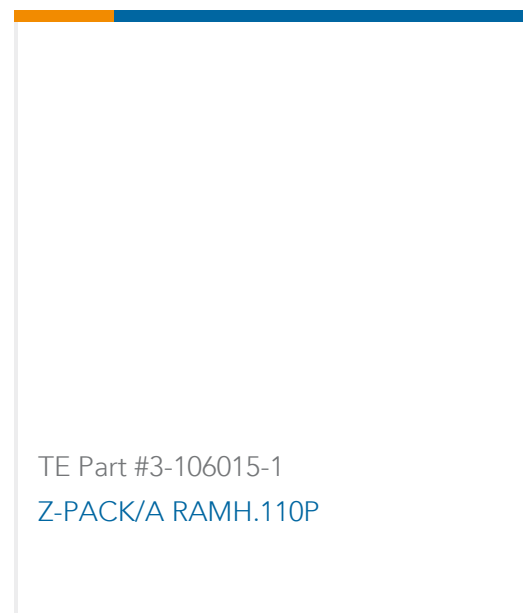
TE Part #1410955-2  
MULTIGIG RT GUIDE PIN PLATED



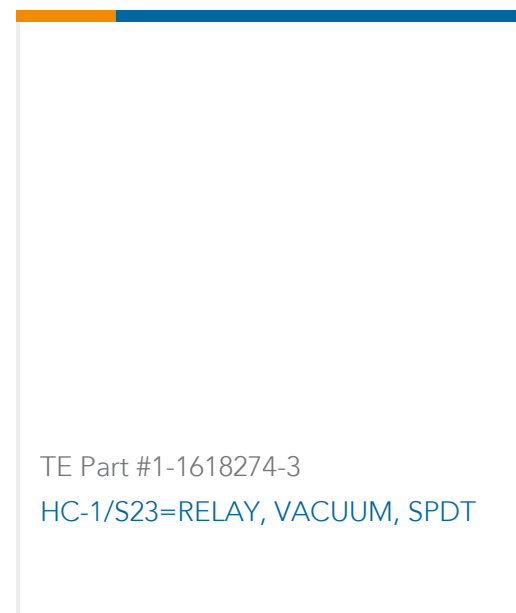
TE Part #2-87879-0  
25 MODIV VRT SR OE 100/115



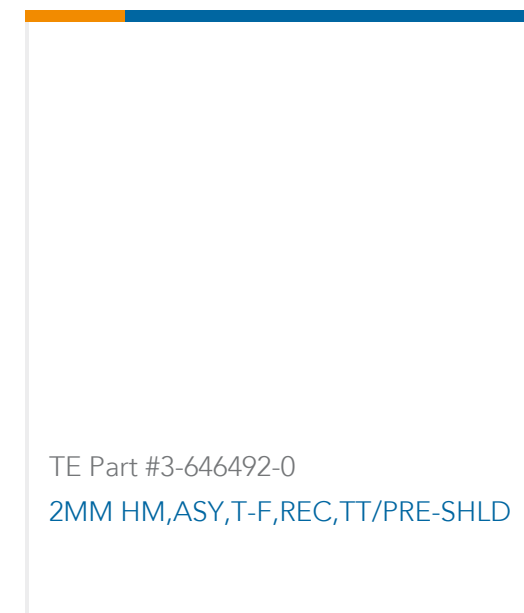
TE Part #RM54-106P  
RECP ASSY



TE Part #3-106015-1  
Z-PACK/A RAMH.110P



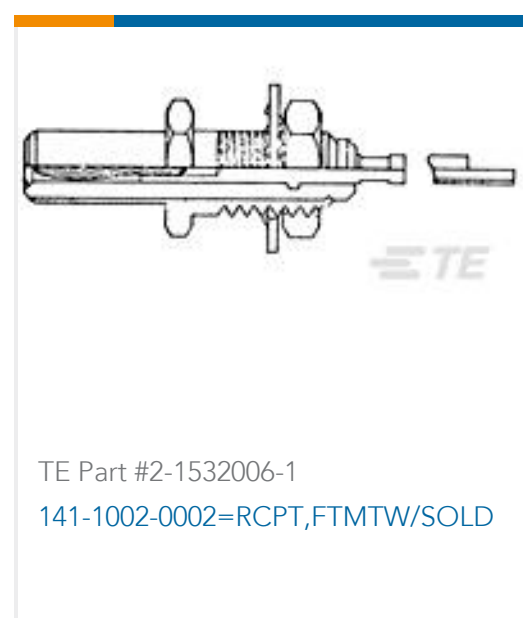
TE Part #1-1618274-3  
HC-1/S23=RELAY, VACUUM, SPDT



TE Part #3-646492-0  
2MM HM,ASY,T-F,REC,TT/PRE-SHLD



TE Part #1617028-8  
HFW1025S01 = HFW 1/2 SIZE RELA



TE Part #2-1532006-1  
141-1002-0002=RCPT,FTMTW/SOLD

## Documents

### Product Drawings

#### LGH-1 RECEPTACLE

English

### CAD Files

#### 3D PDF

3D

#### Customer View Model

[ENG\\_CVM\\_CVM\\_868092-1\\_F.2d\\_dxf.zip](#)

English

#### Customer View Model

[ENG\\_CVM\\_CVM\\_868092-1\\_F.3d\\_igs.zip](#)

English

#### Customer View Model

[ENG\\_CVM\\_CVM\\_868092-1\\_F.3d\\_stp.zip](#)

English

By downloading the CAD file I accept and agree to the [Terms and Conditions](#) of use.

### Datasheets & Catalog Pages



## Products for Aerospace and Defense

English

---

## Product Specifications

### Product Specification

English