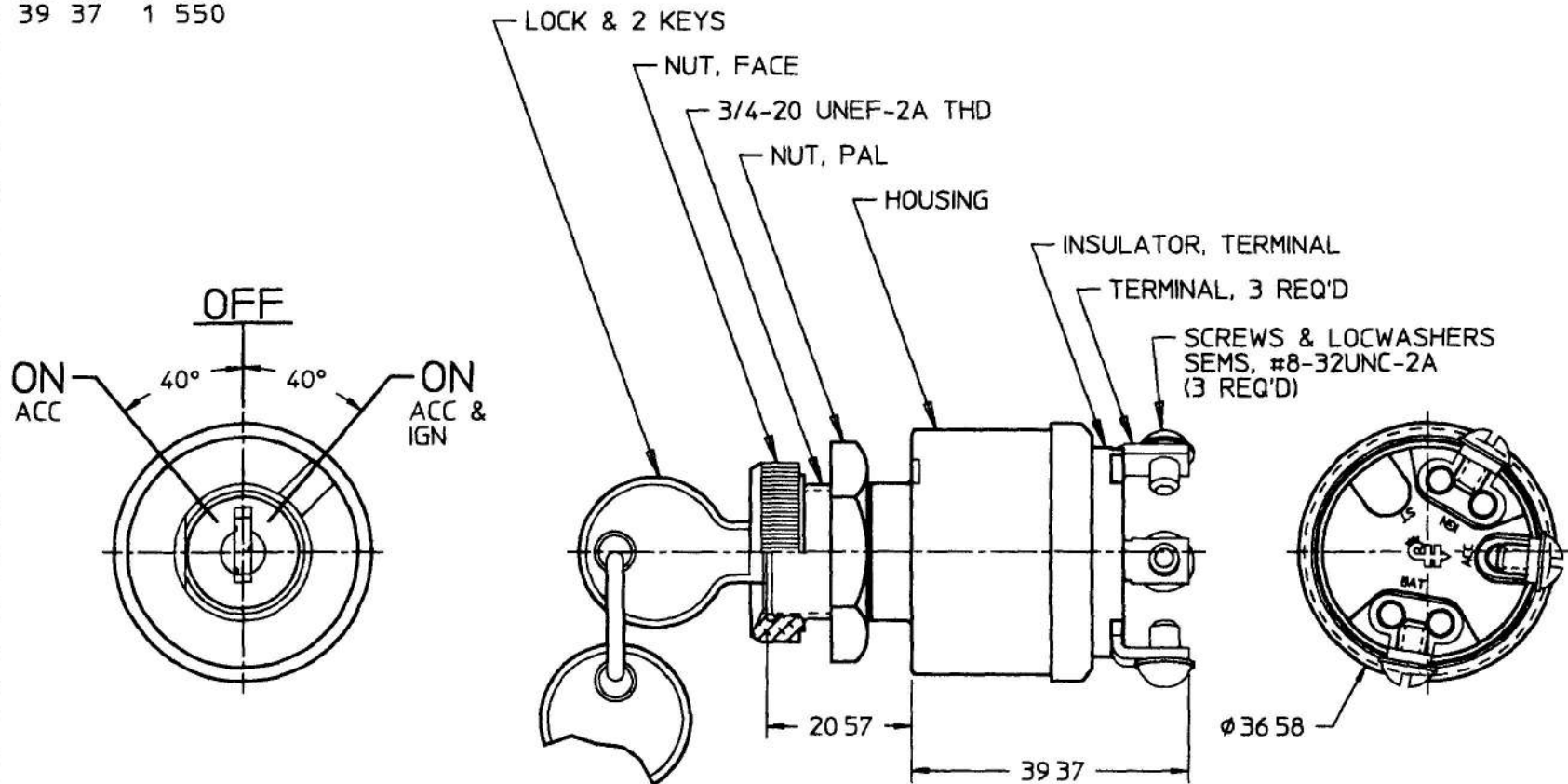


9578

MM	IN
20 57	0 810
36 58	1 440
39 37	1 550



NOTES

- 1 ADAPTER FACE NUT PERMITS ASSEMBLY OF SWITCH TO Ø3/4 & 7/8 PANEL HOLES
- 2 CYLINDER LOCK ASSEMBLY SUPPLIED IN SETS OF 10 MATCHING KEY CODES
- 3 APPLICABLE SAE STANDARD OR RECOMMENDED PRACTICE SAE J259

METRIC

DO NOT SCALE

LET	WAS	DATE	BY	LET	WAS	DATE	BY	MATERIAL NOTED	DRAWN	CHK	APVD	SCALE	DATE DRAWN
									AA	AP		11	12/10/57
								FINISH	Cole Hersee Co. 20 OLD COLONY AVENUE, BOSTON, MA U.S.A. 02127				DATE BLUEPRINTED
				R	PUT ON CAD ECN# 26017	10/31/95	JPT	TOLERANCES DECIMAL ± 0.01 ANGLE ±	SW, ROT, 3 POS				9578