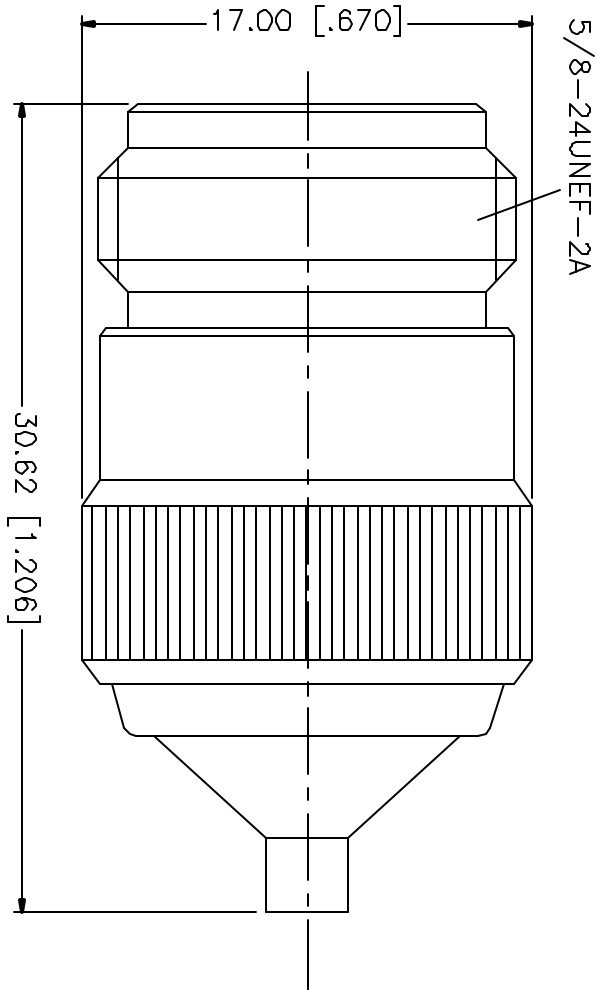


REV.	DATE	DESCRIPTION
NC	10/31/01	INITIAL RELEASE



DESCRIPTION	MATERIAL	FINISH	UNLESS OTHERWISE SPECIFIED DIMENSIONS ARE IN MILLIMETERS DIMENSIONS IN [] ARE IN INCHES FOR CUSTOMER REFERENCE ONLY	APPROVALS	DATE	TITLE	SIZE	FROM NO.	DWG. NO.	REV.	
1 BODY	BRASS	NICKEL		DRAWN	10/31/01	N JACK TO MCX JACK ADAPTOR	A	99001	242172.DWG	NC	
2 INSULATOR	TEFLON	NATURAL		CHECKED			SCALE	NA	242172	SHEET	1 OF 1
3 CONTACT PIN	BER COPPER	GOLD		ISSUED							
4											
5											
6											
7											
8											

UNLESS OTHERWISE SPECIFIED DIMENSIONS ARE IN MILLIMETERS DIMENSIONS IN [] ARE IN INCHES FOR CUSTOMER REFERENCE ONLY

UNLESS OTHERWISE SPECIFIED TOLERANCES FOR MILLIMETERS ARE:

0.5-6 = ± 0.2
6-30 = ± 0.4
30-120 = ± 0.6
120-315 = ± 1
315-1000 = ± 1.6
1000-2000 = ± 2.4

DO NOT SCALE DRAWING