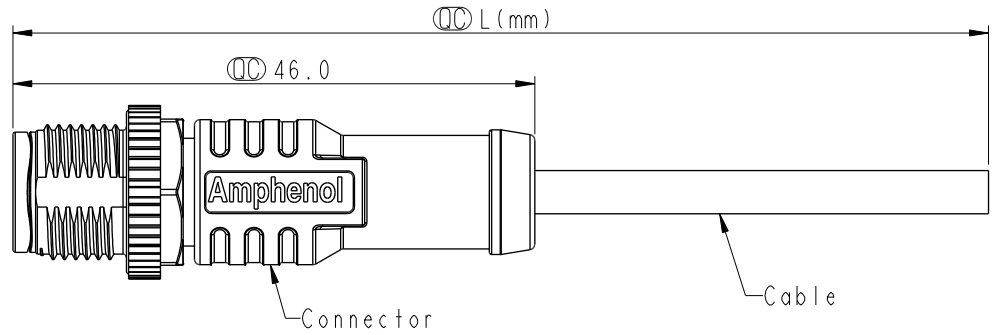
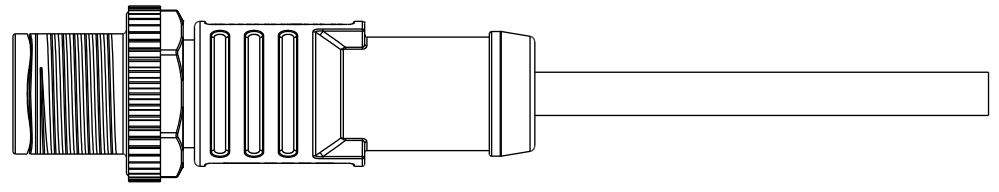
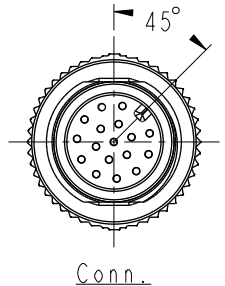


THIS DOCUMENT IS SUBJECT TO CHANGE WITHOUT NOTICE. IT IS CONFIDENTIAL AND A PROPERTY OF Amphenol LTW. DISCLOSURE TO THIRD PARTY HAS TO BE AUTHORIZED BY Amphenol LTW.

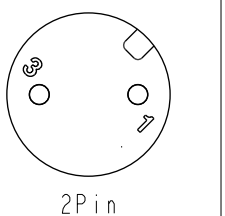
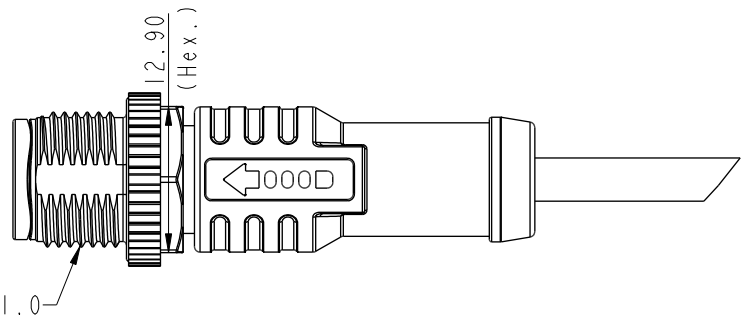
REV.	ECN NO.	DATE	SIGN	DESCRIPTION
A		2021-08-27	Allen Pan	Rev.02 To Rev.A



M12A-XXBMMM-SL8CXX
 XX:No. Of Pin
 XX:01~15Meters
 01:01Meter
 02:02Meters
 :
 15:15Meters



- Note:
- * RoHS Compliant
 - * \varnothing Important dimension
 - * Waterproof rate: IPX8, mated 1m/24h
IPX9K, mated
 - * Connector
 Housing: Thermoplastic, Black
 Pin: Copper alloy, Gold plated
 Nut: Metal
 Outer mold: Thermoplastic, Black
 - * Cable: IEC61156-12, 26#*IP+AL/MY+B, OD=3.8mm,
PUR Jacket, Green
 - * Cable length tolerance: 1M: +50/-0 mm
 1M < L ≤ 3M: +100/-0 mm
 3M < L ≤ 5M: +150/-0 mm
 5M < L ≤ 10M: ±100 mm
 10M < L ≤ 15M: ±200 mm



Pin#	Wire
3	White 白
1	Blue 藍

Pin Assignments Front View

UNIT:mm		TITLE	N SEN, M12 A, SCREW CABLE W/O SR, M, M, MOLDING		
TOLERANCE		SCALE	SIZE	SHEET	OF
±0.5mm		3:2	A4	1	1
REV.	A	WC-REV.	A.3	\varnothing : Inspection item	

Amphenol LTW
 安費諾亮泰企業股份有限公司

ITEM NO	DRAWN BY	DATE
DWG NO	Allen Pan	2021-08-27
M12A-XXBMMM-SL8CXX	CHECKED BY	DATE
CUSTOMER	Sam Ho	2021-08-27
ALTW	APPROVED BY	DATE
	Fred Lee	2021-08-27