

# PART No MATRIX

**E J T E X X X X X X C 3 X**

JUNIOR CONNECTORS  
CONNECTOR TYPE :  
E - ANGLED, 2 WIRES, SINGLE ENDED

CABLE TYPE

CABLE LENGTH [cm]  
050 = 50cm  
300 = 300cm  
10K = 1000cm

HEAD COLOR  
N- BLACK, A-CSA-UL BLACK

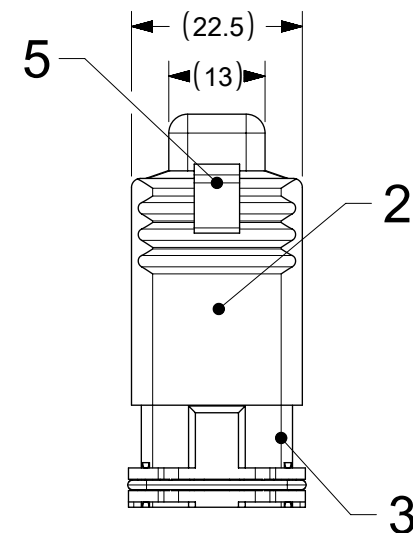
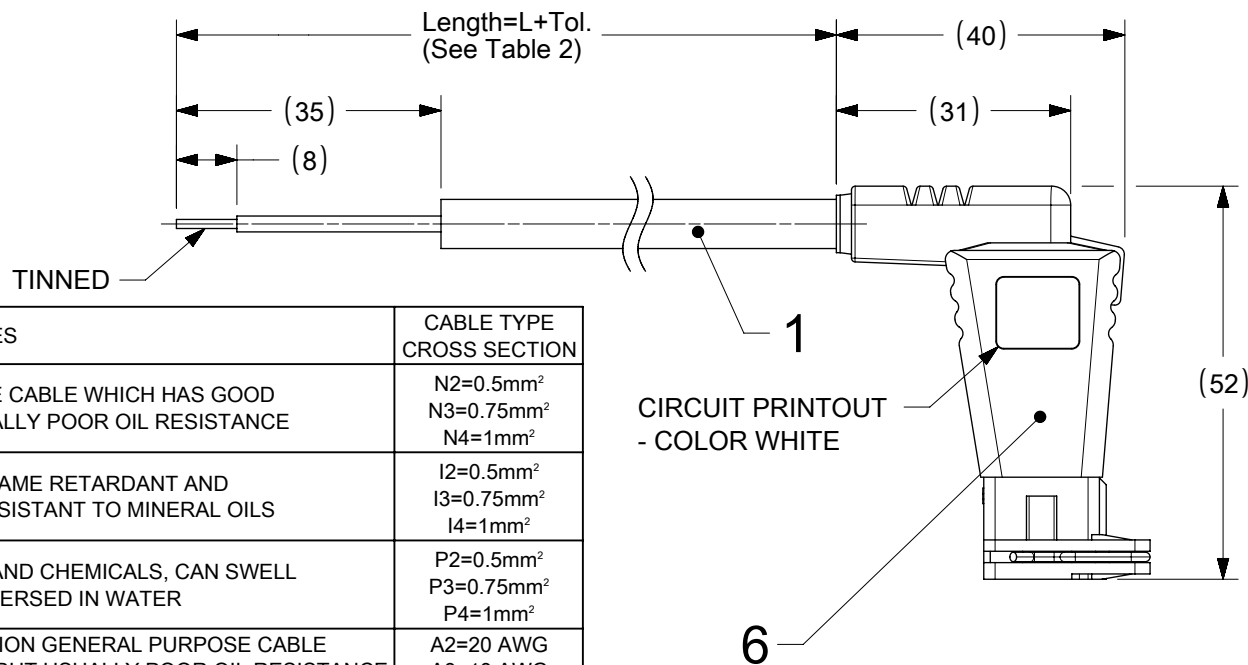
INTERNAL CIRCUIT:  
SEE WIRING CONFIGURATION

VOLTAGE AND LED COLOUR

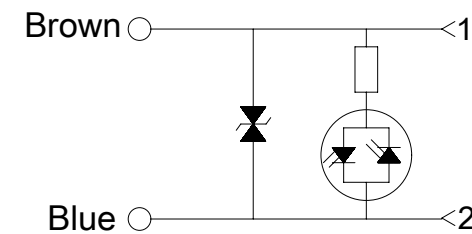
RED LED	GREEN LED	YELLOW LED
1 = 12V	A = 12V	G = 12V
2 = 24V	B = 24V	H = 24V
3 = 48V	C = 48V	K = 48V
4 = 115V	D = 115V	L = 115V
5 = 230V	E = 230V	M = 230V

## CABLE LIST

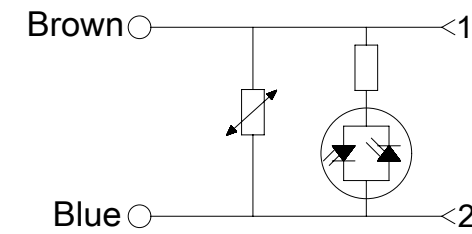
CODE	CABLE TYPE	FEATURES	CABLE TYPE CROSS SECTION
N	PVC	APPLICATION GENERAL PURPOSE CABLE WHICH HAS GOOD RESISTANCE TO WATER, BUT USUALLY POOR OIL RESISTANCE	N2=0.5mm <sup>2</sup> N3=0.75mm <sup>2</sup> N4=1mm <sup>2</sup>
I	CEI	APPROVED TO IEC 332-2A, FLAME RETARDANT AND SELF EXTINGUISHING LIMITED RESISTANT TO MINERAL OILS	I2=0.5mm <sup>2</sup> I3=0.75mm <sup>2</sup> I4=1mm <sup>2</sup>
P	PUR	OFFER GOOD RESISTANCE TO OIL AND CHEMICALS, CAN SWELL WHEN CONSTANTLY IMMERSED IN WATER	P2=0.5mm <sup>2</sup> P3=0.75mm <sup>2</sup> P4=1mm <sup>2</sup>
A	PVC CSA-UL	APPROVED TO CSA-UL 2661, APPLICATION GENERAL PURPOSE CABLE WHICH HAS GOOD RESISTANCE TO WATER, BUT USUALLY POOR OIL RESISTANCE	A2=20 AWG A3=18 AWG
B	PUR CSA-UL	APPROVED TO CSA-UL 20668, VERY GOOD RESISTANCE TO OIL AND CHEMICALS	B2=20 AWG B3=18 AWG



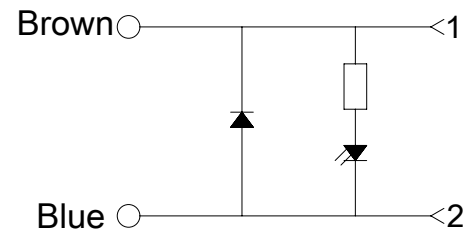
ELECTRICAL DIAGRAM S0



ELECTRICAL DIAGRAM C4



ELECTRICAL DIAGRAM C3



## TABLE OF CIRCUIT CHARACTERISTICS

MOLEX P/N	ENG No.	CIRCUIT	RATED VOLTAGE	LED COLOR	VOLTAGE PEAK PROTECTION (Bidirectional)*		
					BREAKDOWN VOLTAGE (typ.) @ 25°C	MAXIMUM CLAMPING VOLTAGE	MAXIMUM PEAK PULSE CURRENT @ 25°C
1210560085	EJTEP3N500S0H	S0	24V AC/DC	YELLOW	75V	100V	4A
1210560222	EJTEP3N300S0H						

\* PROTECTION FROM VOLTAGE TRANSIENTS ACCORDING 10/1000µs WAVEFORM TEST (T<sub>a</sub> = 25°C)  
PARAMETERS ONLY VALID FOR LISTED PART NUMBERS(P/N)  
OTHER P/NS WITH SAME CIRCUIT AND VOLTAGE RATING COULD HAVE A DIFFERENT CHARACTERISTIC

TABLE OF LENGTH TOLERANCES [mm]

Over	Up to and Including	Tolerance
0	1000	±20
1000	3000	±30
3000	5000	±40
5000	10000	±50
10000	15000	±100
15000	20000	±150
20000		±L/100

## BILL OF MATERIALS

ITEM	QTY.	DESCRIPTION	MATERIAL	FINISH/COLOR
6	-	ELECTRONIC COMPONENTS		
5	1	LENS	-	TRANSPARENT
4	2	CONTACT	PH. BRONZE	
3	1	HOUSING JUNIOR	PA6.6 GVF 30	BLACK
2	-	MOULDING MATERIAL	PP	BLACK
1	-	CABLE	SEE TABLE 1	SEE TABLE 1
DOCUMENT STATUS		P1	RELEASE DATE	2020/01/13 15:09:39

## PART LIST

MOLEX P/N	Eng No.	L(mm)
1210560044	EJTEP3N150C4H	1500
1210560050	EJTEP3N300C4H	3000
1210560051	EJTEP3N500C4H	5000
1210560052	EJTEB3N150C3H	1500
1210560096	EJTEB3N150C42	1500

SYMBOLS		THIS DRAWING CONTAINS INFORMATION THAT IS PROPRIETARY TO MOLEX ELECTRONIC TECHNOLOGIES, LLC AND SHOULD NOT BE USED WITHOUT WRITTEN PERMISSION	
▽ = 0	mm	SCALE	1:1
▽ = 0	GENERAL TOLERANCES (UNLESS SPECIFIED)		
▽ = 0	ANGULAR TOL ± 1.0°		
▽ = 0	4 PLACES	±	
▽ = 0	3 PLACES	±	
▽ = 0	2 PLACES	± 0.05	
▽ = 0	1 PLACE	± 0.3	
▽ = 0	0 PLACES	± 0.5	
■ = 0	DRAFT WHERE APPLICABLE MUST REMAIN WITHIN DIMENSIONS		
▽ = 0	THIRD ANGLE PROJECTION		

CURRENT REV DESC:			
EC NO: 630391	2019/06/12		
DRWN: SSM	2020/01/13		
CHK'D: RSILLER	2020/01/13		
APPR: RSILLER	2020/01/13	JUNIOR TIMER CONNECTORS EJTEXXXXXXXXXX	
PRODUCT CUSTOMER DRAWING			
INITIAL REVISION:		DOCUMENT NUMBER	DOC TYPE
DRWN: JMARSZALEK	2014/01/27	SD-121056-003	PSD
APPR: MIWASIECZKO	2014/01/30	001	A1
MATERIAL NUMBER		CUSTOMER	SHEET NUMBER
SEE PART LIST	GENERAL MARKET		1 OF 1