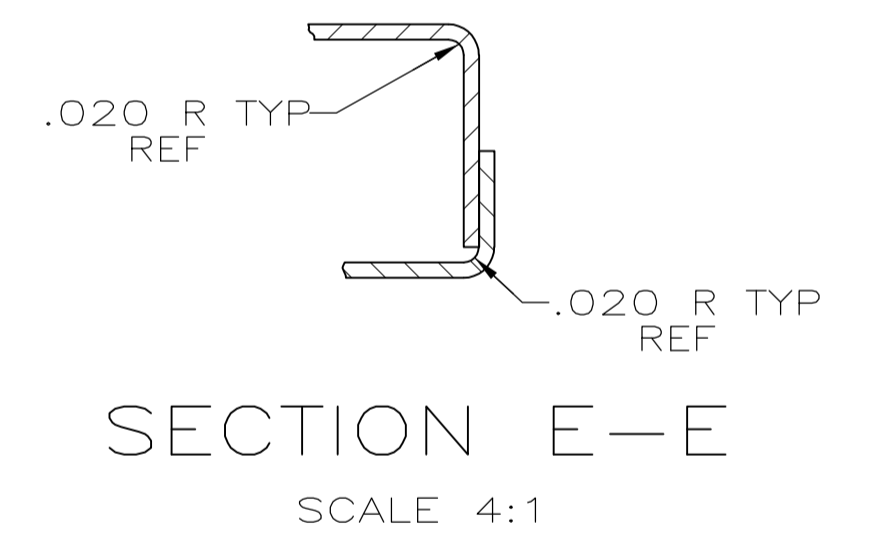
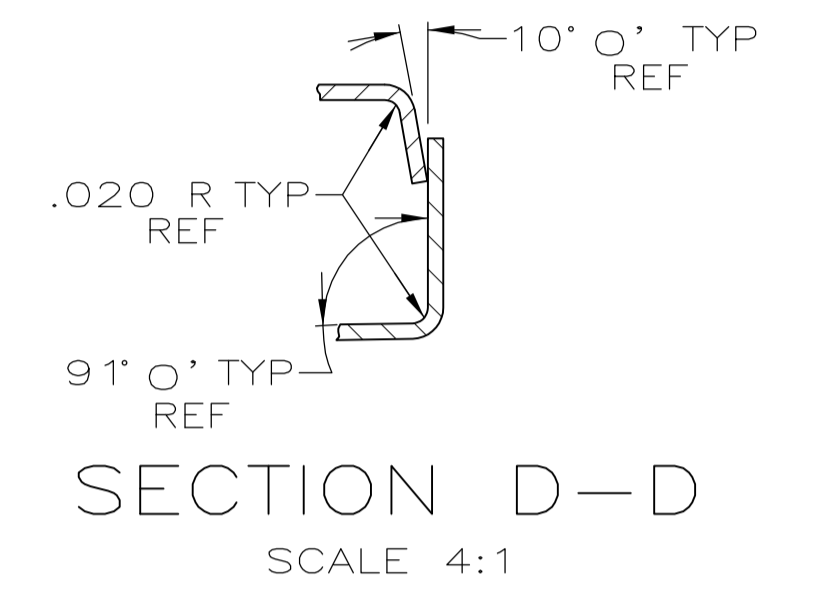
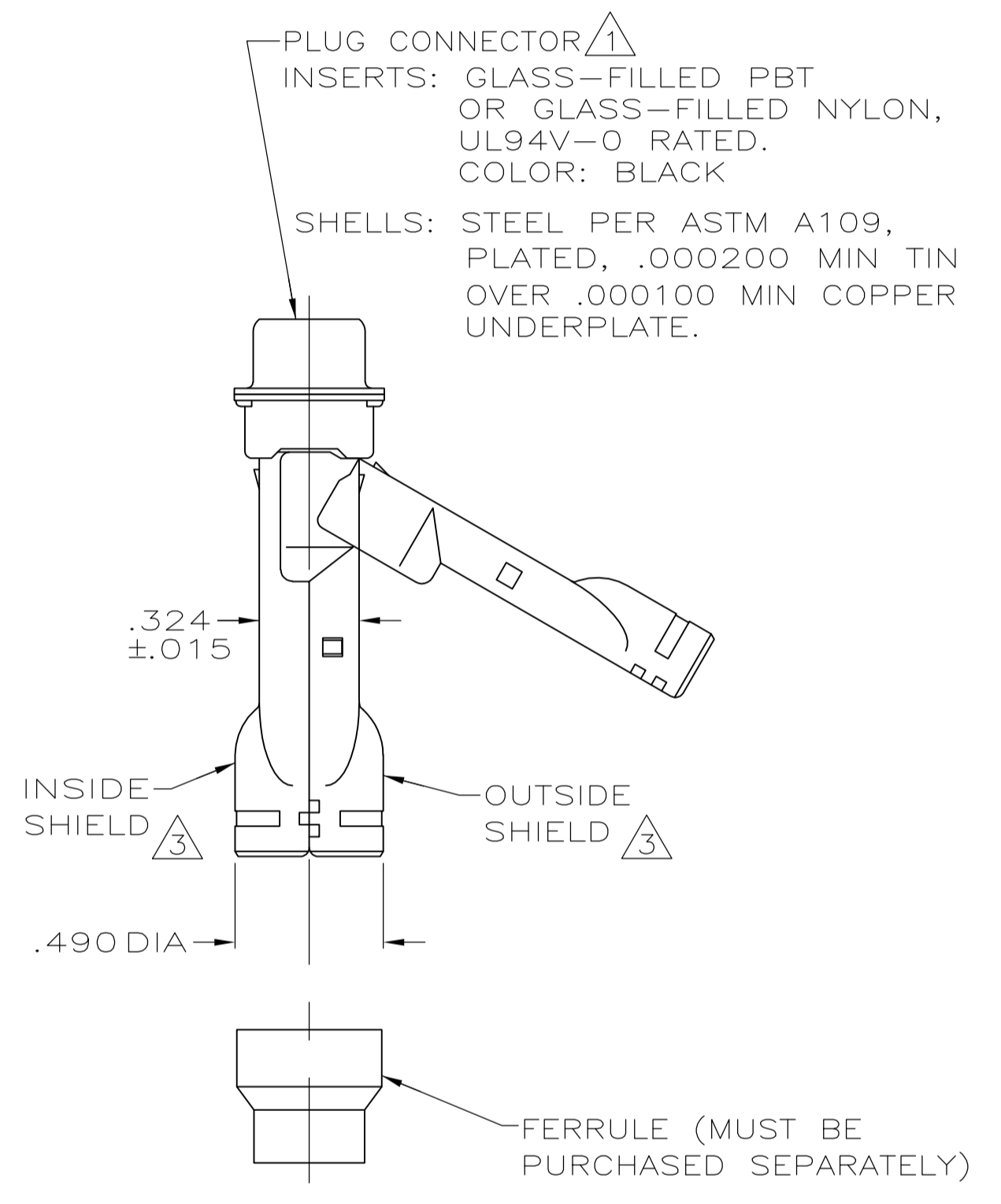
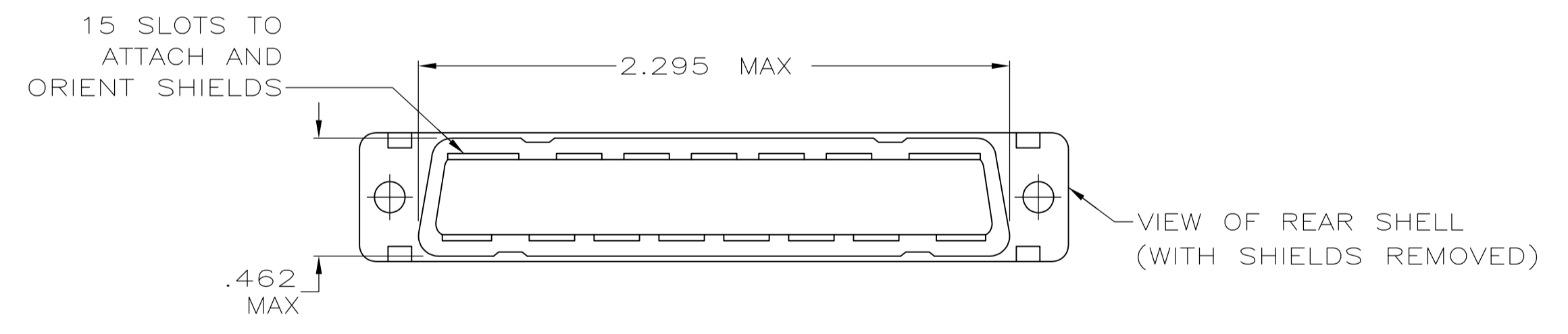
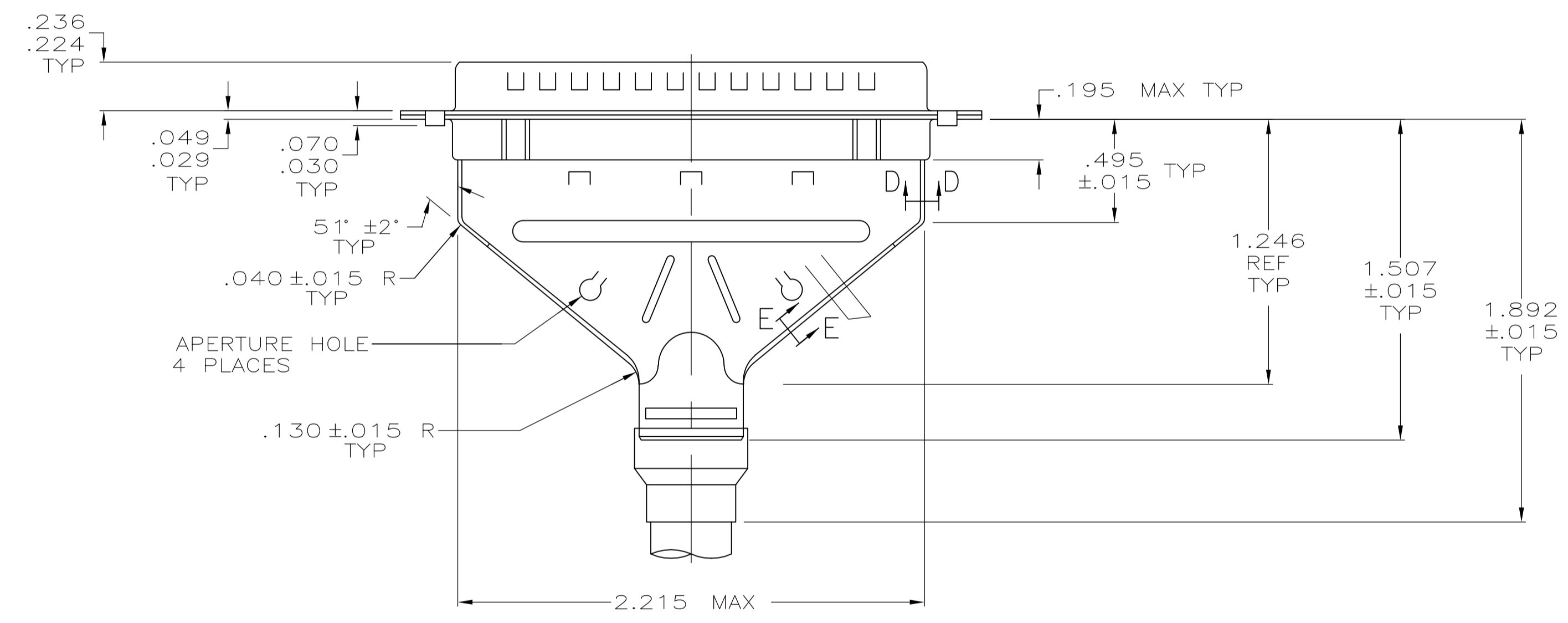
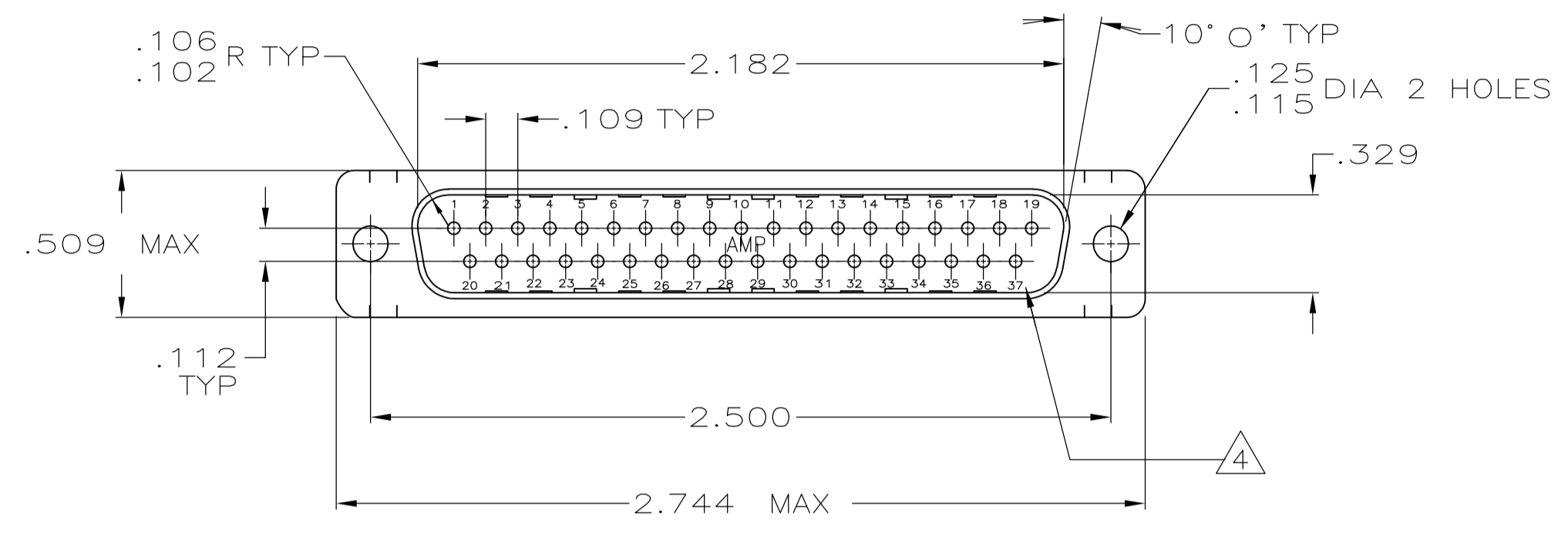


LOC		DIST		REVISIONS			
P	LTR	DESCRIPTION	DATE	DWN	APVD		
B		REVISED PER ECO-14-011808	09AUG2014	AP	SB		



- 1 PLUG ACCEPTS SIZE 20 PIN CONTACTS (CONTACTS MUST BE ORDERED SEPARATELY).
- 2. ALL PARTS SHIPPED UNASSEMBLED, EACH PART INDIVIDUALLY BULK PACKED.
- 3 SHIELDS: MATERIAL-.020 THICK STEEL, PER ASTM A109, PLATED .000200 MIN TIN OVER .000100 MIN COPPER UNDERPLATE.
- 4 RAISED CAVITY IDENTIFICATION AND AMP TRADEMARK.

1658650-1
PART NUMBER

THIS DRAWING IS A CONTROLLED DOCUMENT.		DIN J. REITZEL 31JUL03		TE Connectivity	
DIMENSIONS: INCHES		CHK S. BOLASH 31JUL03			
TOLERANCES UNLESS OTHERWISE SPECIFIED:		APP'D M. WALMSLEY 31JUL03		NAME	
0. PLC ± -		PRODUCT SPEC		KIT, PLUG, SHIELDING HARDWARE, SIZE 4, 37 POSITION, AMPLIMITE™ HDP-20	
1. PLC ± -		APPLICATION SPEC		108-40030	
2. PLC ± -		WEIGHT		A1 00779 C=1658650	
3. PLC ± .005		CUSTOMER DRAWING		SCALE 2:1 SHEET 1 OF 1 REV B	
4. PLC ANGLES ± 0°30'					