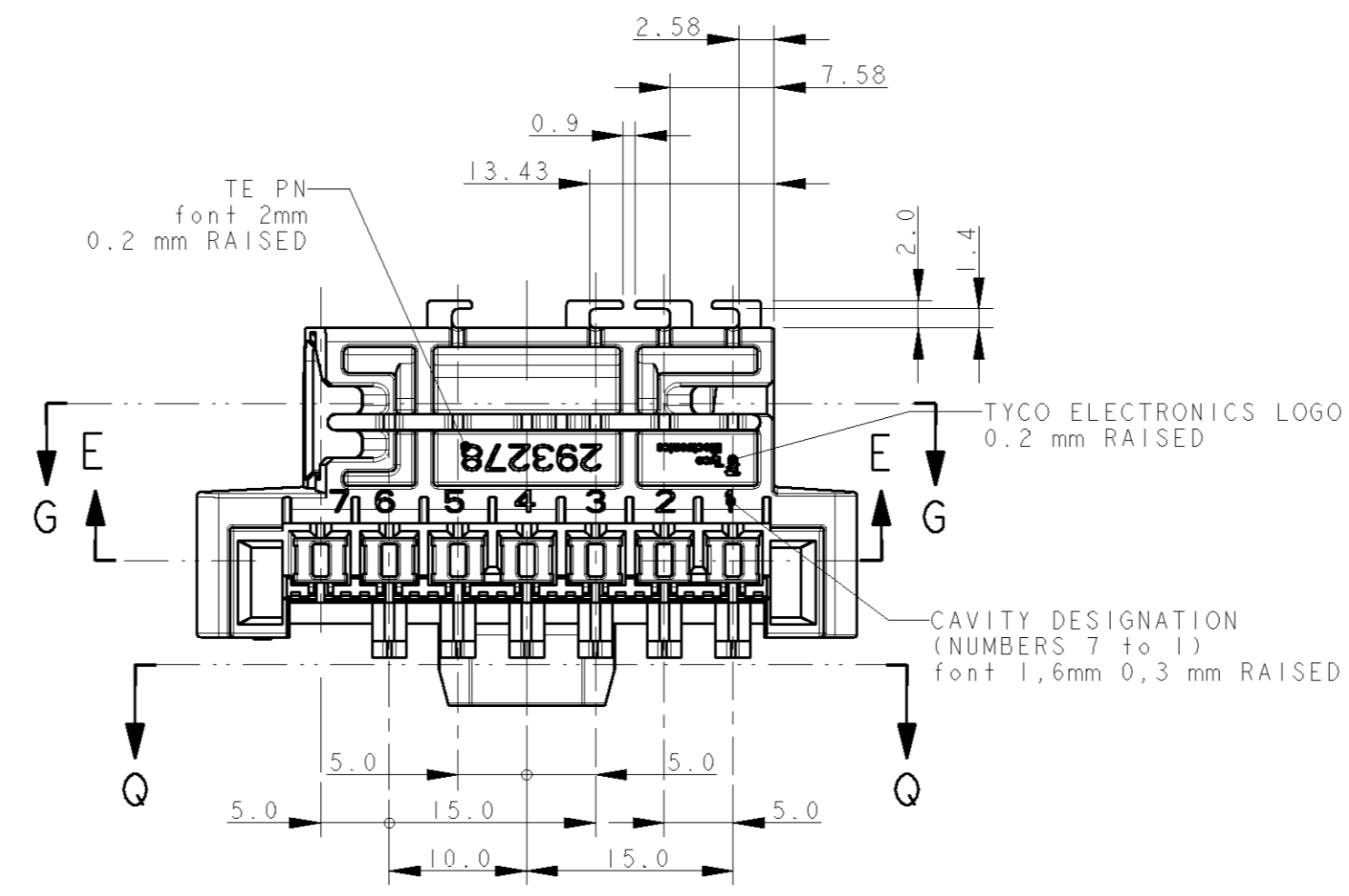
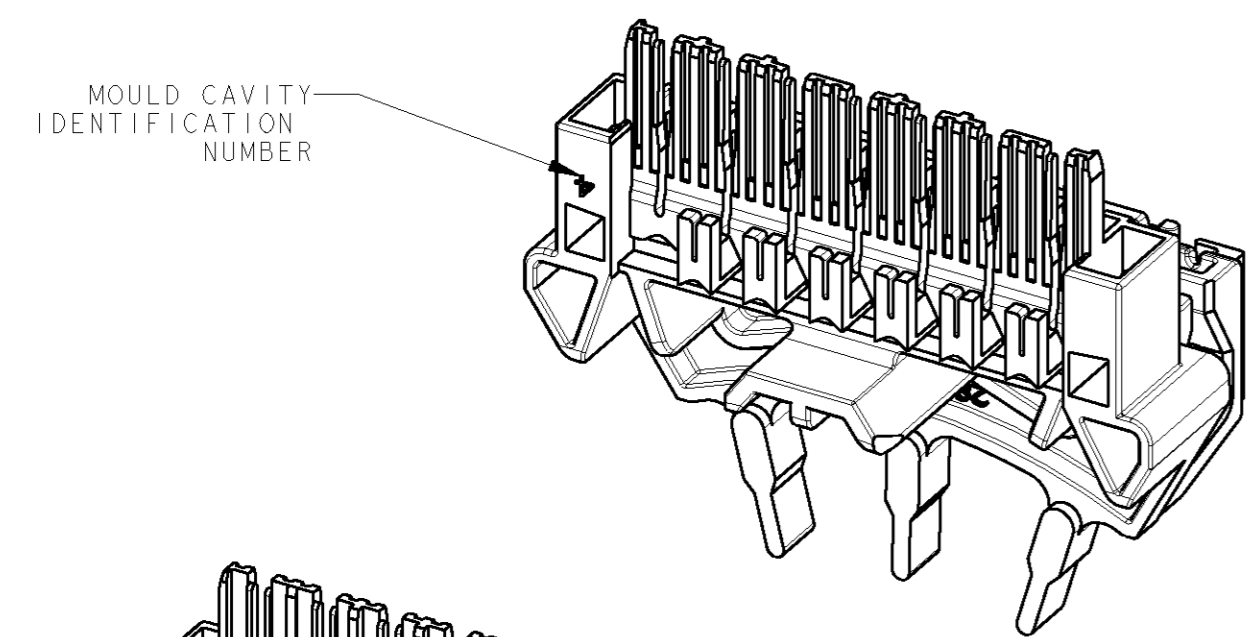
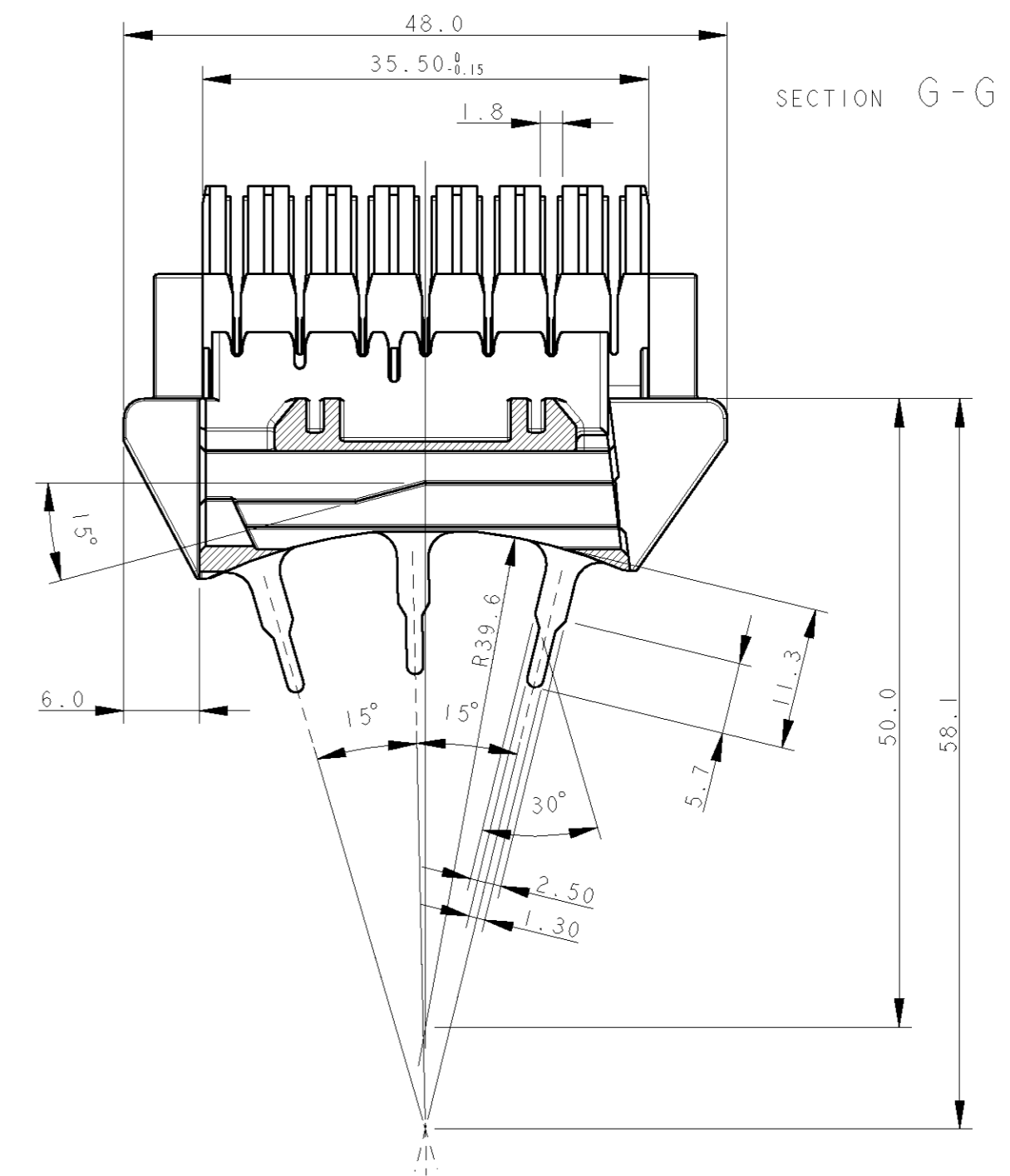
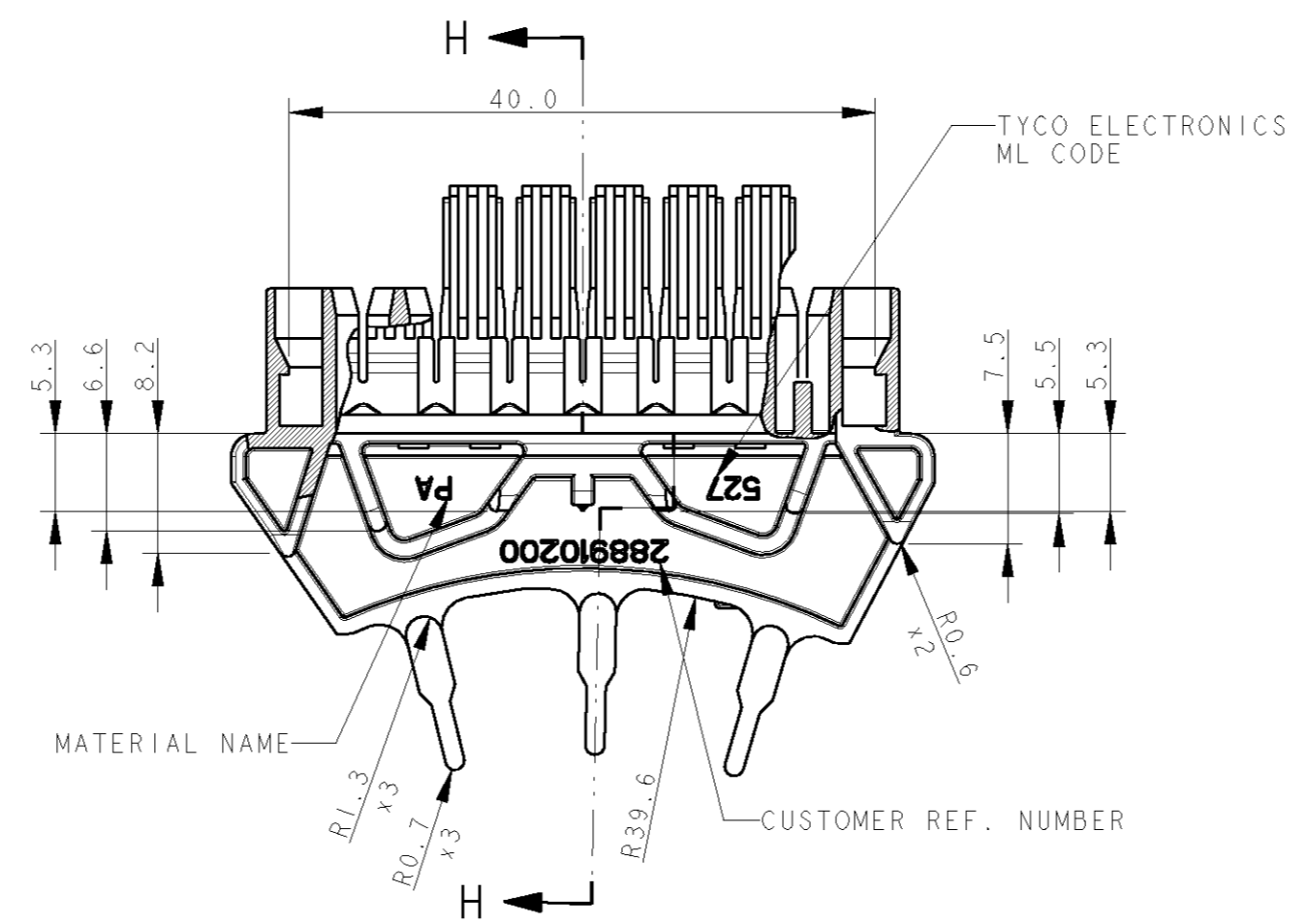
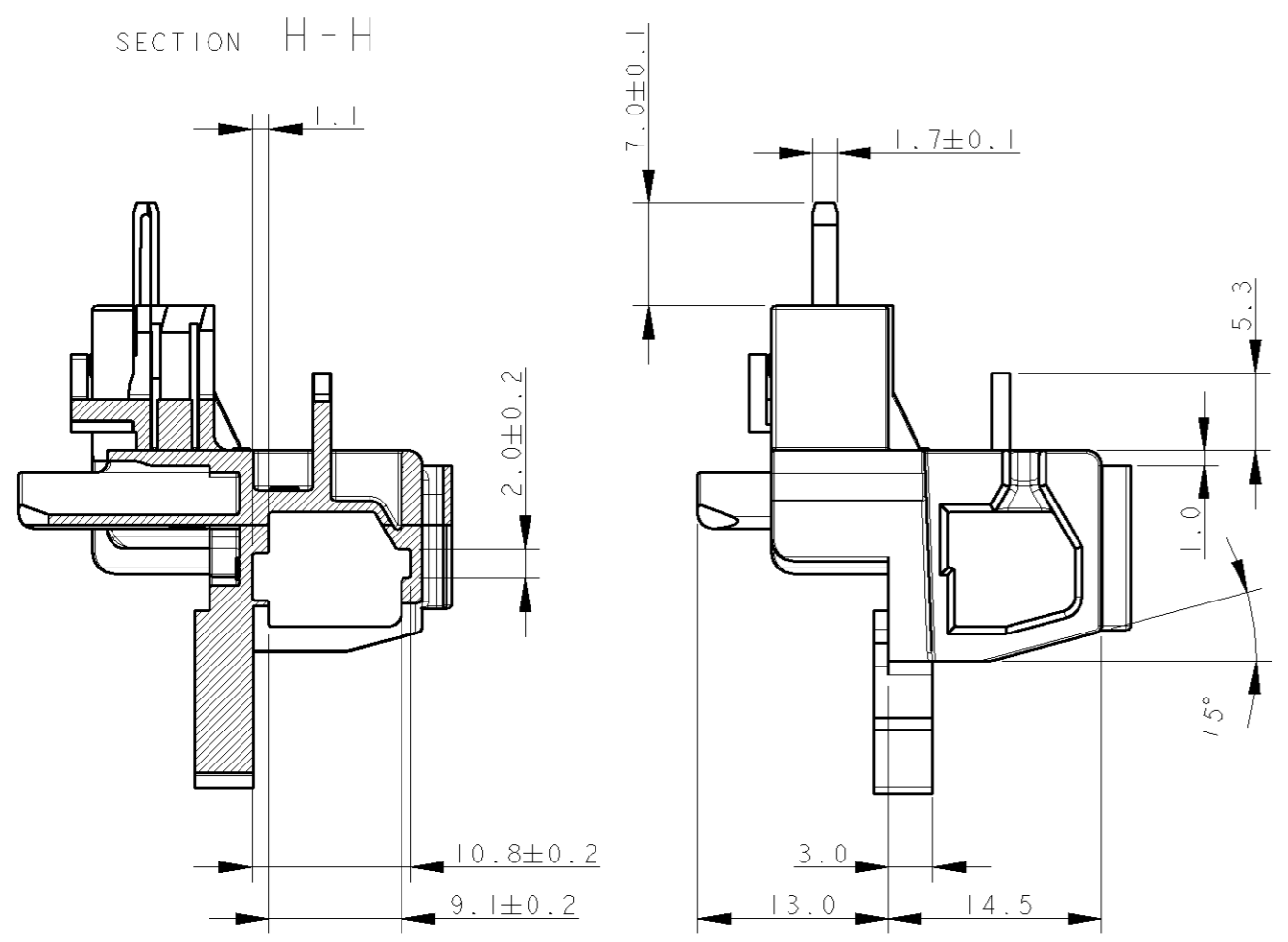


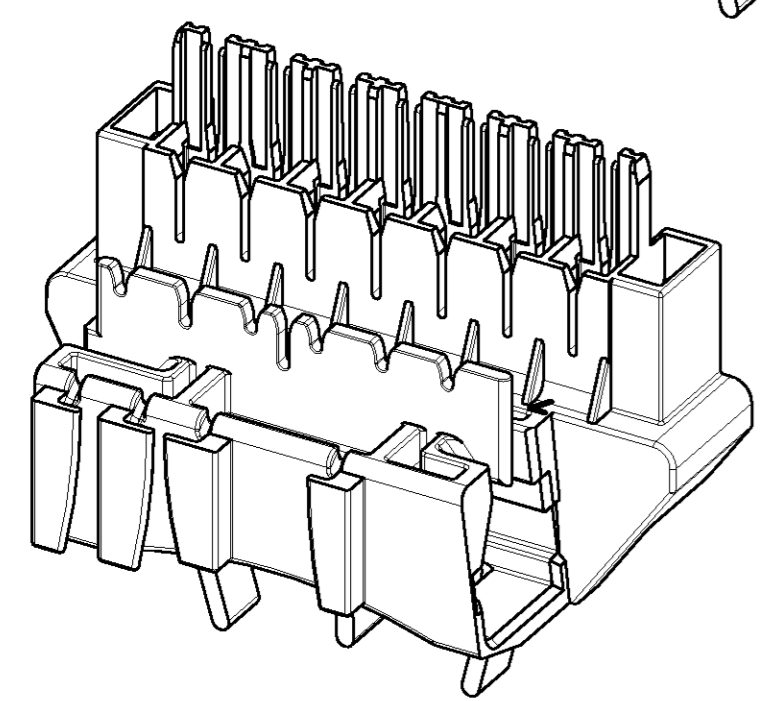
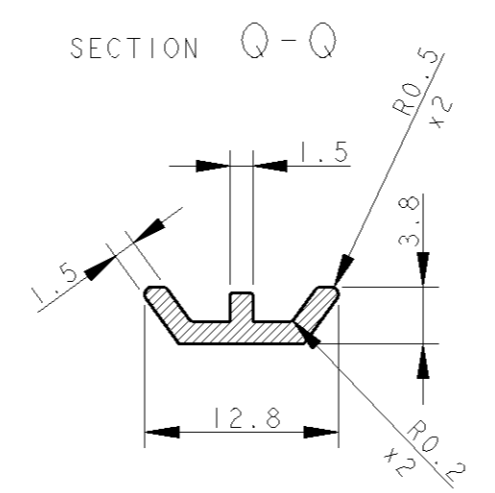
THIS DRAWING IS UNPUBLISHED. RELEASED FOR PUBLICATION 20
 © COPYRIGHT 20 BY TYCO ELECTRONICS CORPORATION. ALL RIGHTS RESERVED.

LOC	DIST	REVISIONS			
P	LTR	DESCRIPTION	DATE	DWN	APVD
0		FIRST EMISSION	21MAR2007	HY	GT
1		CHANGED SHAPE	13JUL2007	HY	GT
0		UPDATED MOUNTING DIM.s	10OCT2007	HY	GT
A		ADDED DIM.	14JAN2008	HY	GT

SECTION E-E
SCALE 2:1



VOLUME: approx. 5649 mm³



natural	Zytel HTN FR 52 G30 BL NC 010	293278-1	A
COLOR	MATERIAL	PART NO	REV

THIS DRAWING IS A CONTROLLED DOCUMENT FOR TYCO ELECTRONICS CORPORATION. IT IS SUBJECT TO CHANGE AND THE CONTROLLING ENGINEERING ORGANIZATION SHOULD BE CONTACTED FOR THE LATEST REVISION.		DWN 21MAR2007 CHK H. Yaqali APVD G. Turco	AMP Italia S.p.A. C.so F.lli Cervi, 15 COLLEGGNO (TO)	
DIMENSIONS: mm		NAME		
TOLERANCES UNLESS OTHERWISE SPECIFIED: 0 PLC ±0.3 1 PLC ±0.3 2 PLC ±0.2 3 PLC ±0.2 4 PLC ±0.2 ANGLES ±1° FINISH		PRODUCT SPEC APPLICATION SPEC		
MATERIAL see table		WEIGHT 9.0 GR		RESTRICTED TO
		CUSTOMER DRAWING		SCALE 2:1 SHEET 1 OF 1 REV A