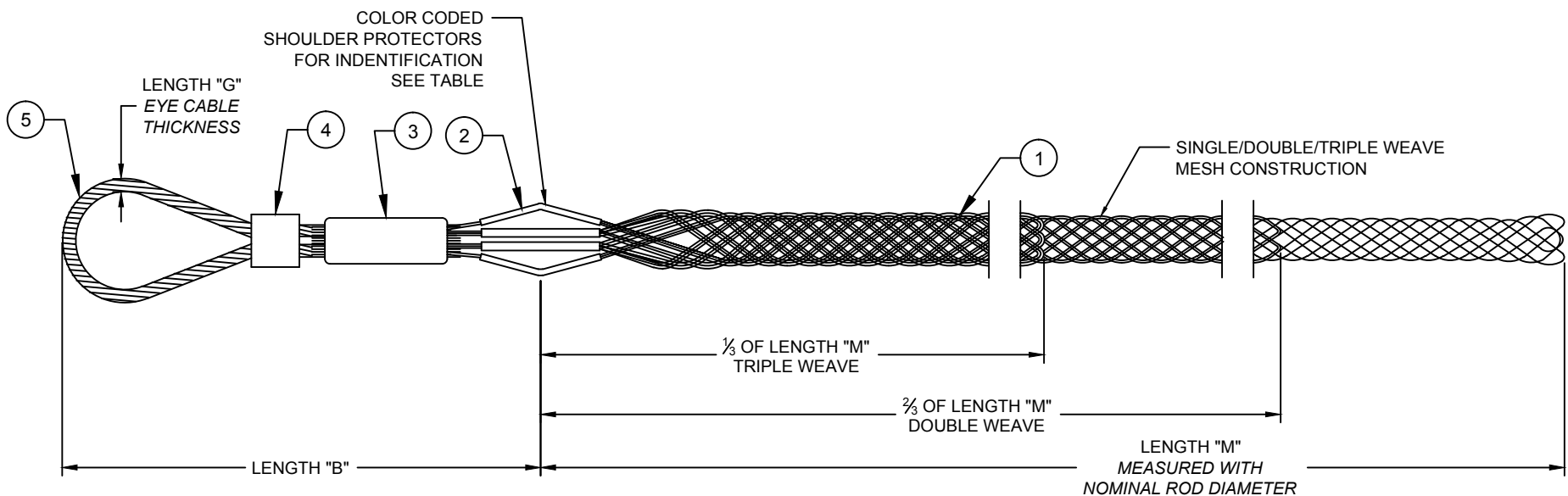


CATALOG NUMBER	MATERIAL NUMBER	CABLE RANGE	NOMINAL ROD DIAMETER	LENGTH "M"	LENGTH "B"	LENGTH "G" EYE CABLE THICKNESS REF.	COLOR CODE	APPROXIMATE BREAK STRENGTH* (LBS / N)	UL LISTED	CSA APPROVED	PRODUCT SELECTION NUMBER
36640	1300950288	.25-.49 / 6.4-12.4	.37 / 9.4	26.00±2.50 / 660.4±63.5	9.00±1.00 / 228.6±25.4	.250 / 6.35	DARK GREEN	6800 / 30248	NO	YES	PF025-26MS
36641	1300950289	.50-.74 / 12.7-18.8	.62 / 15.7	32.00±3.50 / 812.8±88.9	9.00±1.00 / 228.6±25.4	.312 / 7.92	BROWN	10000 / 44482			PF050-32MS
36642	1300950290	.75-.99 / 19.1-25.1	.87 / 22.1	41.00±4.50 / 1041.4±114.3	11.00±1.00 / 279.4±25.4	.375 / 9.53	LIGHT BLUE	14400 / 64054			PF075-41MS
36643	1300950291	1.00-1.24 / 25.4-31.5	1.12 / 28.4	52.00±5.00 / 1320.8±127.0	12.00±1.00 / 304.8±25.4	.500 / 12.70	GOLD	24600 / 109426			PF100-52MS
36644	1300950292	1.25-1.49 / 31.8-37.8	1.37 / 34.8	56.00±5.00 / 1422.4±127.0	12.00±1.00 / 304.8±25.4	.500 / 12.70	BLACK	30600 / 136116			PF125-56MS
36645	1300950293	1.50-1.74 / 38.1-44.2	1.62 / 41.1	60.00±5.00 / 1524.0±127.0	12.00±1.00 / 304.8±25.4	.500 / 12.70	RED	30600 / 136116			PF150-60MS

*TO DETERMINE RECOMMENDED WORKING LOAD, DIVIDE BREAK STRENGTH BY 5.



ITEM	DESCRIPTION	MATERIAL
1	WIRE MESH	GALVANIZED STEEL
2	SHOULDER PROTECTOR	ALUMINUM
3	SWAGING FERRULE	STAINLESS STEEL
4	BAND SLEEVE	ALUMINUM
5	BALE EYE	GALVANIZED STEEL

RELEASE SALES DRAWING	QUALITY SYMBOLS
EC NO: IPC2014-1924	▽=0
DRWN: HRUIZ01 2014/09/04	▽C=0
CHKD: HKNEELAN 2014/09/04	
APPR: JFMURPHY 2015/03/23	
REV	
A	

GENERAL TOLERANCES (UNLESS SPECIFIED)	
	mm / INCH
4 PLACES	±--- / ±---
3 PLACES	±--- / ±.005
2 PLACES	±.13 / ±.010
1 PLACE	±.25 / ±.020
ANGULAR ±1/2°	
DRAFT WHERE APPLICABLE MUST REMAIN WITHIN DIMENSIONS	

DIMENSION STYLE	
INCH/MM	
DRAWN BY	DATE
HRUIZ01	2014/09/04
CHECKED BY	DATE
HKNEELAN	2014/09/04
APPROVED BY	DATE
JFMURPHY	2015/03/23
MATERIAL NO.	SEE TABLE
SIZE	A

INSTRUCTION SHEET TO BE INCLUDED WITH GRIP.

SCALE	DESIGN UNITS	THIRD ANGLE PROJECTION
NTS	INCH	☉
TITLE		
PULLING GRIPS MULTI-WEAVE FLEXIBLE EYE		
MOLEX INCORPORATED		
MATERIAL NO.	DOCUMENT NO.	SHEET NO.
SEE TABLE	SD-130095-108	1 OF 1
THIS DRAWING CONTAINS INFORMATION THAT IS PROPRIETARY TO MOLEX INCORPORATED AND SHOULD NOT BE USED WITHOUT WRITTEN PERMISSION		